



**HIGH POWER MULTI
AIR CONDITIONER
WALL MOUNTED type**

SERVICE MANUAL



Models

Indoor unit

HSM-9FA

HSM-9FA

Outdoor unit

HOM-19F2A

HOM-19F2B

ENINDEL CLIMA

CONTENTS

| | |
|---|----|
| SPECIFICATIONS..... | 1 |
| OUTLINE AND DIMENSIONS..... | 2 |
| REFRIGERANT SYSTEM DIAGRAM..... | 3 |
| ERROR DISPLAY..... | 4 |
| CIRCUIT DIAGRAM..... | 5 |
| INDOOR PRINTED CIRCUIT BOARD CIRCUIT DIAGRAM..... | 6 |
| DISASSEMBLY ILLUSTRATION..... | 7 |
| PARTS LIST..... | 14 |

SPECIFICATIONS

| TYPE | COOL | | | |
|-----------------------|-----------|-------------|-----------|-------------|
| INDOOR UNIT | HSM-9FA | HSM-9FA x 2 | HSM-9FA | HSM-9FA x 2 |
| OUTDOOR UNIT | HOM-19F2A | HOM-19F2A | HOM-19F2B | HOM-19F2B |
| COOLING CAPACITY (kW) | 2.75 | 5.50 | 2.75 | 5.50 |

ELECTRICAL DATA

| | | | | |
|---|------|---------|------|---------|
| POWER SOURCE (V) | 230 | 230 | 230 | 230 |
| FREQUENCY (Hz) | 50 | 50 | 50 | 50 |
| RUNNING CURRENT (A) | 4.7 | 8.8 | 4.7 | 8.8 |
| INPUT WATTS (kW) | 1.04 | 1.96 | 1.04 | 1.96 |
| E.E.R. (kW/kW) | 2.64 | 2.81 | 2.64 | 2.81 |
| MOISTURE REMOVAL (ℓ/hr) | 1.0 | 2.0 | 1.0 | 2.0 |
| AIR CIRCULATION-Hi (m ³ /hr) | 520 | 520 x 2 | 520 | 520 x 2 |

COMPRESSOR

| | | | | |
|-----------------------|---|--|------------|--|
| TYPE | Hermetic type, Permanent split condenser, 2 pole, Single phase, Induction motor, Rotary | | | |
| POWER SOURCE | 230V - 50Hz | | | |
| DISCRIMINATION | 802 141 65B | | GK 120 PAB | |
| REFRIGERANT R410A (g) | 750 x 2 | | 780 x 2 | |

FAN MOTOR

| | | | |
|-----------------------|--------------------|-------|--|
| POWER SOURCE (V) | 230 | | |
| INDOOR UNIT | HI-SPEED (r.p.m.) | 1,310 | |
| | MED-SPEED (r.p.m.) | 1,190 | |
| | LO-SPEED (r.p.m.) | 1,070 | |
| | QUIET (r.p.m.) | 960 | |
| OUTDOOR UNIT (r.p.m.) | 710 | | |

DIMENSIONS

| | | |
|--------------|----------------|-----------------|
| INDOOR UNIT | H x W x D (mm) | 257 x 808 x 187 |
| OUTDOOR UNIT | H x W x D (mm) | 700 x 900 x 350 |

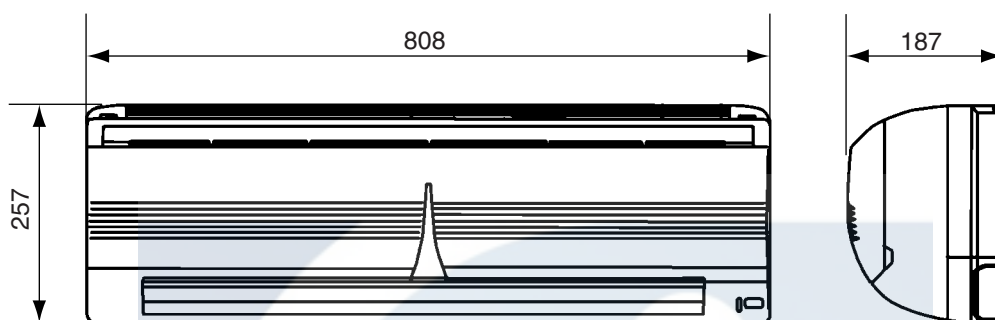
WEIGHT

| | | | |
|--------------|------------------|---------|---------|
| INDOOR UNIT | GROSS / NET (kg) | 10 / 8 | |
| OUTDOOR UNIT | GROSS / NET (kg) | 69 / 62 | 71 / 64 |

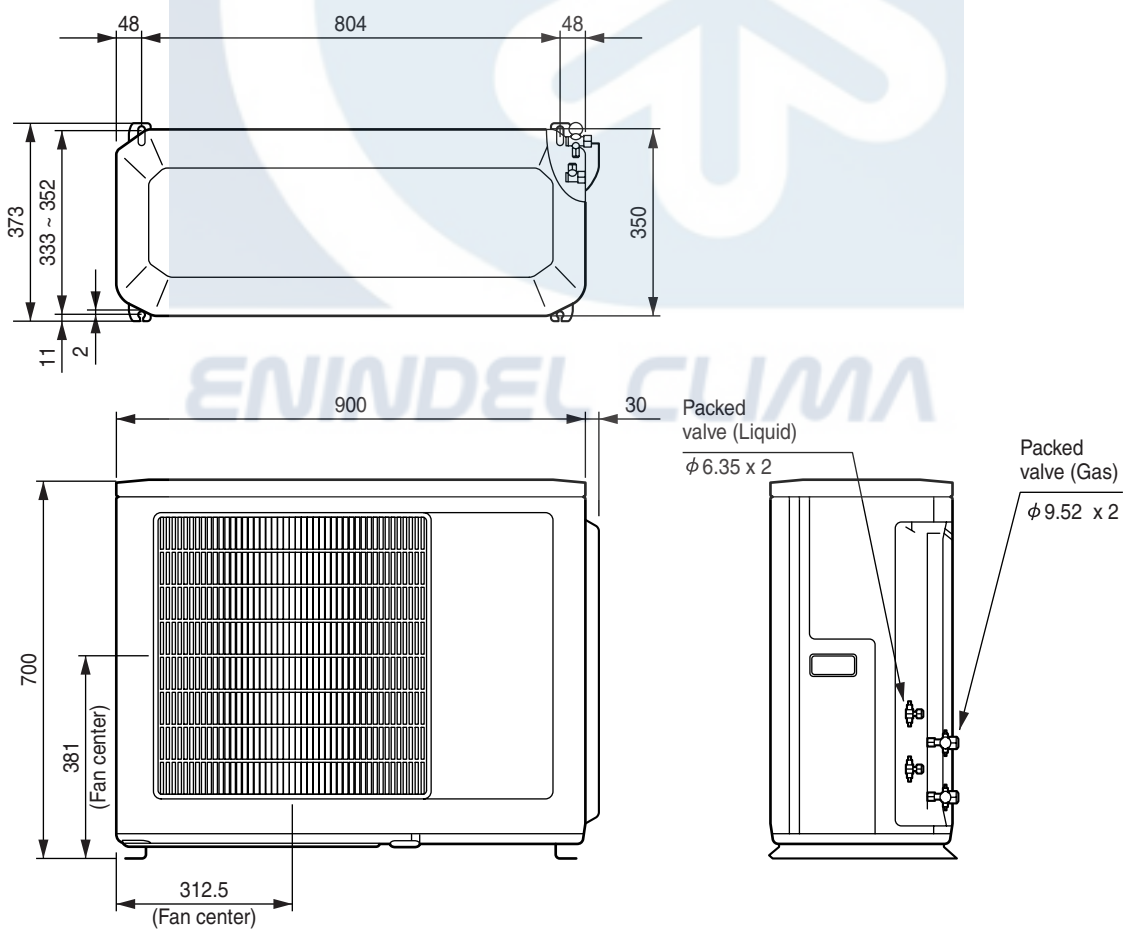
OUTLINE AND DIMENSIONS

INDOOR UNIT

(Unit : mm)

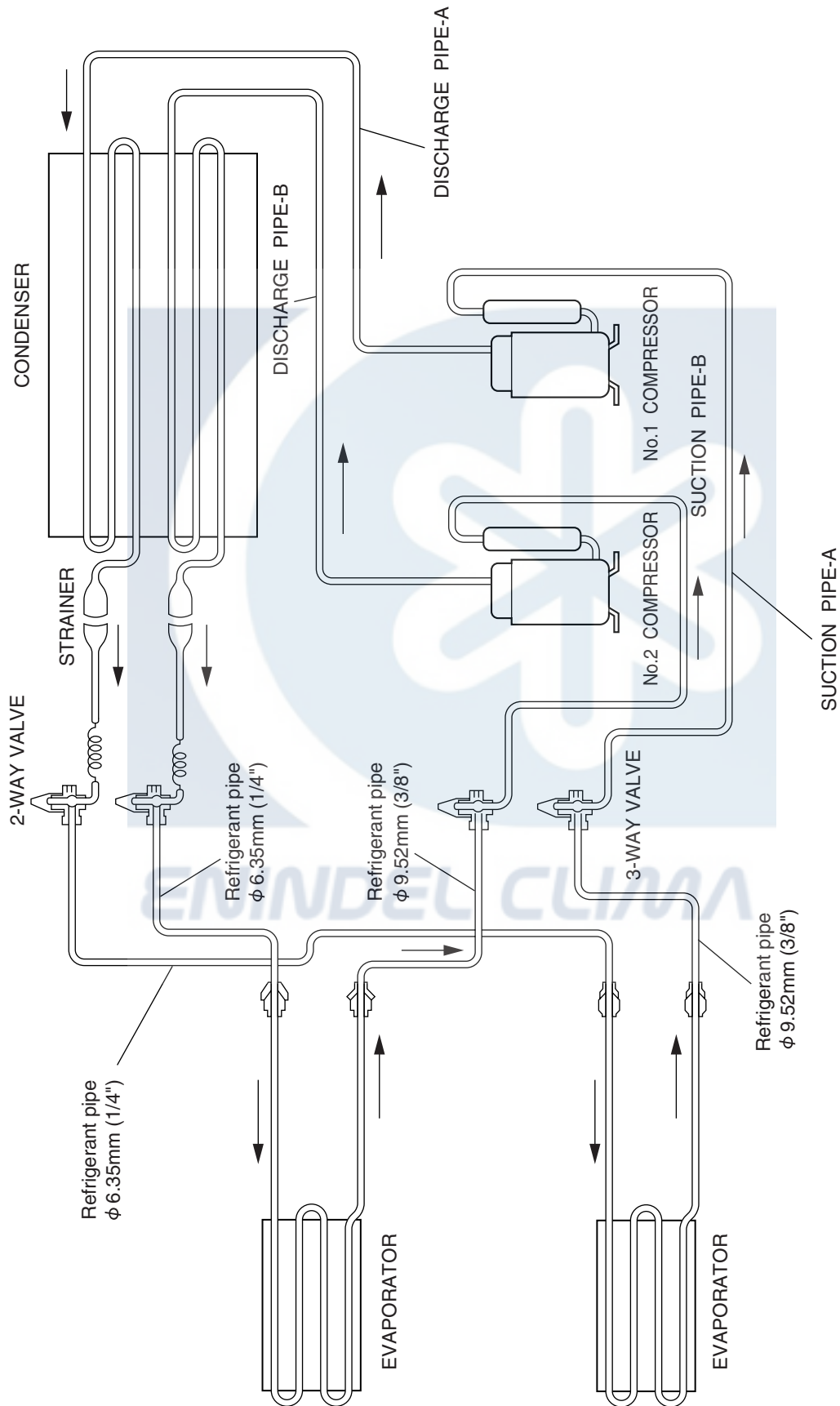


OUTDOOR UNIT



REFRIGERANT SYSTEM DIAGRAM

Models : HSM-9FA x 2 / HOM-19F2A
HSM-9FA x 2 / HOM-19F2B



ERROR DISPLAY

INDOOR UNIT

○ : Fast flashing ● : Slow flashing

Operation lamp : Red lamp

Timer lamp : Green lamp

| Large division indication | | | Small division indication | | |
|-------------------------------------|----------------|-------------|-----------------------------------|----------------|-------------|
| Error contents | LED indication | | Error contents | LED indication | |
| thermistor error | Red lamp | ● (2 times) | thermistor error (room temp.) | Red lamp | ○ |
| | Green lamp | ○ | thermistor error (heat exchanger) | Green lamp | ● (2 times) |
| control unit error (indoor unit) | Red lamp | ● (4 times) | MANUAL AUTO button error | Red lamp | ○ |
| | Green lamp | ○ | power source Hz decision error | Green lamp | ● (2 times) |
| fan motor error (indoor unit) | Red lamp | ● (6 times) | lock error | Red lamp | ○ |
| | Green lamp | ○ | r.p.m error | Green lamp | ● (2 times) |
| | | | | Red lamp | ○ |
| | | | | Green lamp | ● (3 times) |

When an error occurs, "Large division indication" is indicated first.

Secondly, "Small division indication" is indicated by pushing "Test" button of remote controller.

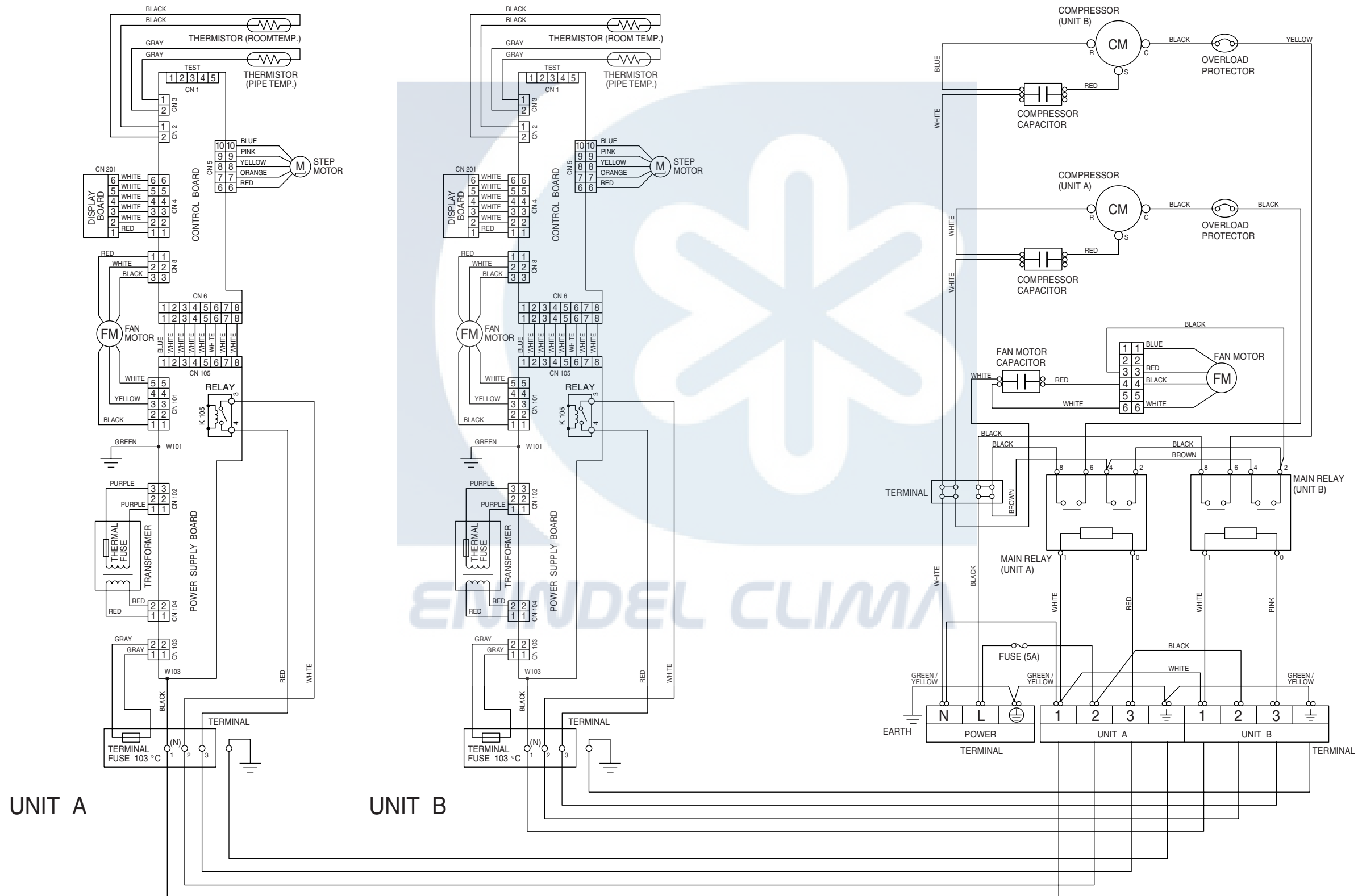
ENINDEL CLIMA

CIRCUIT DIAGRAM

Models : HSM-9FA x 2 / HOM-19F2A
HSM-9FA x 2 / HOM-19F2B

INDOOR UNIT

OUTDOOR UNIT

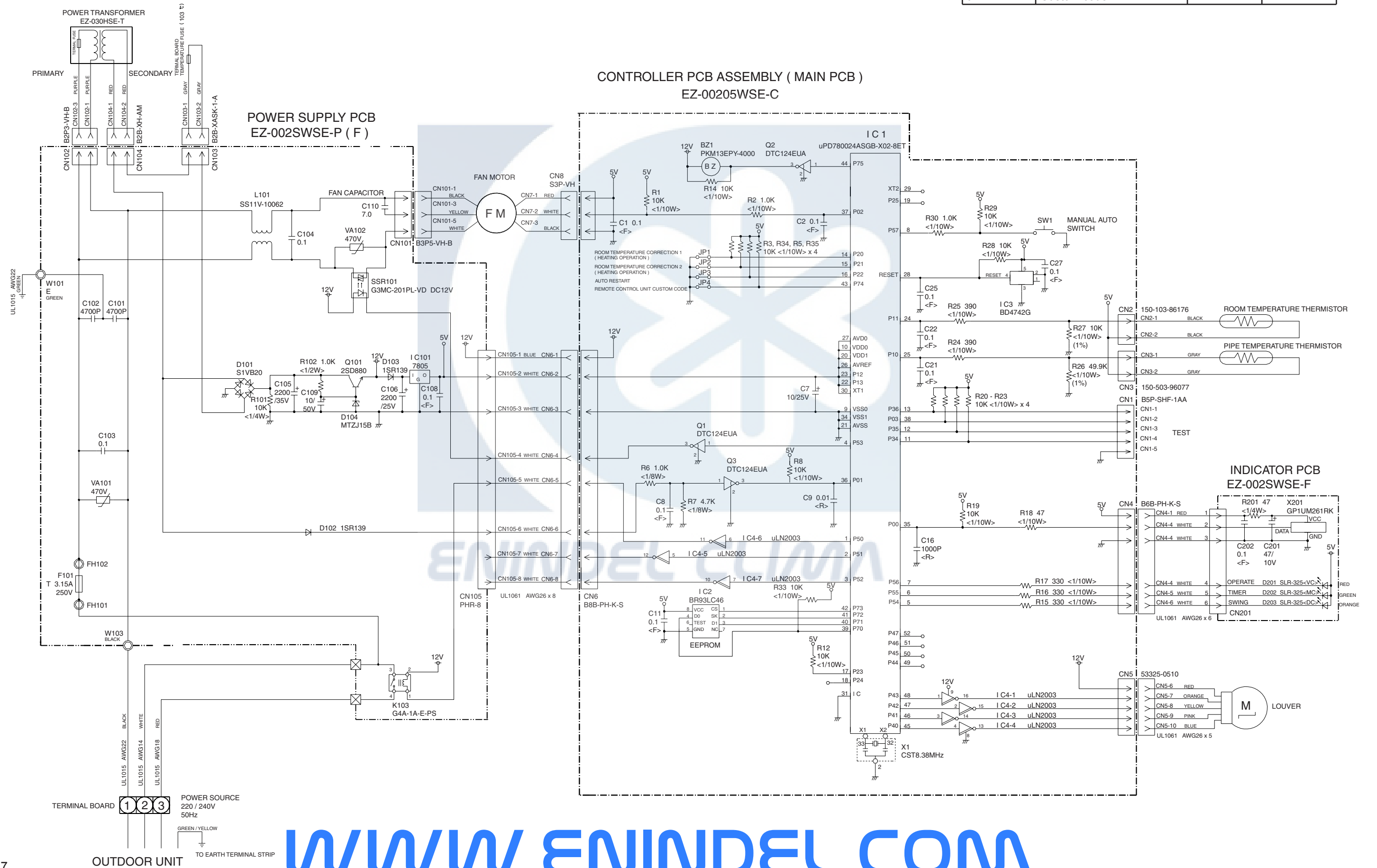


INDOOR PCB CIRCUIT DIAGRAM

Model : HSM-9FA

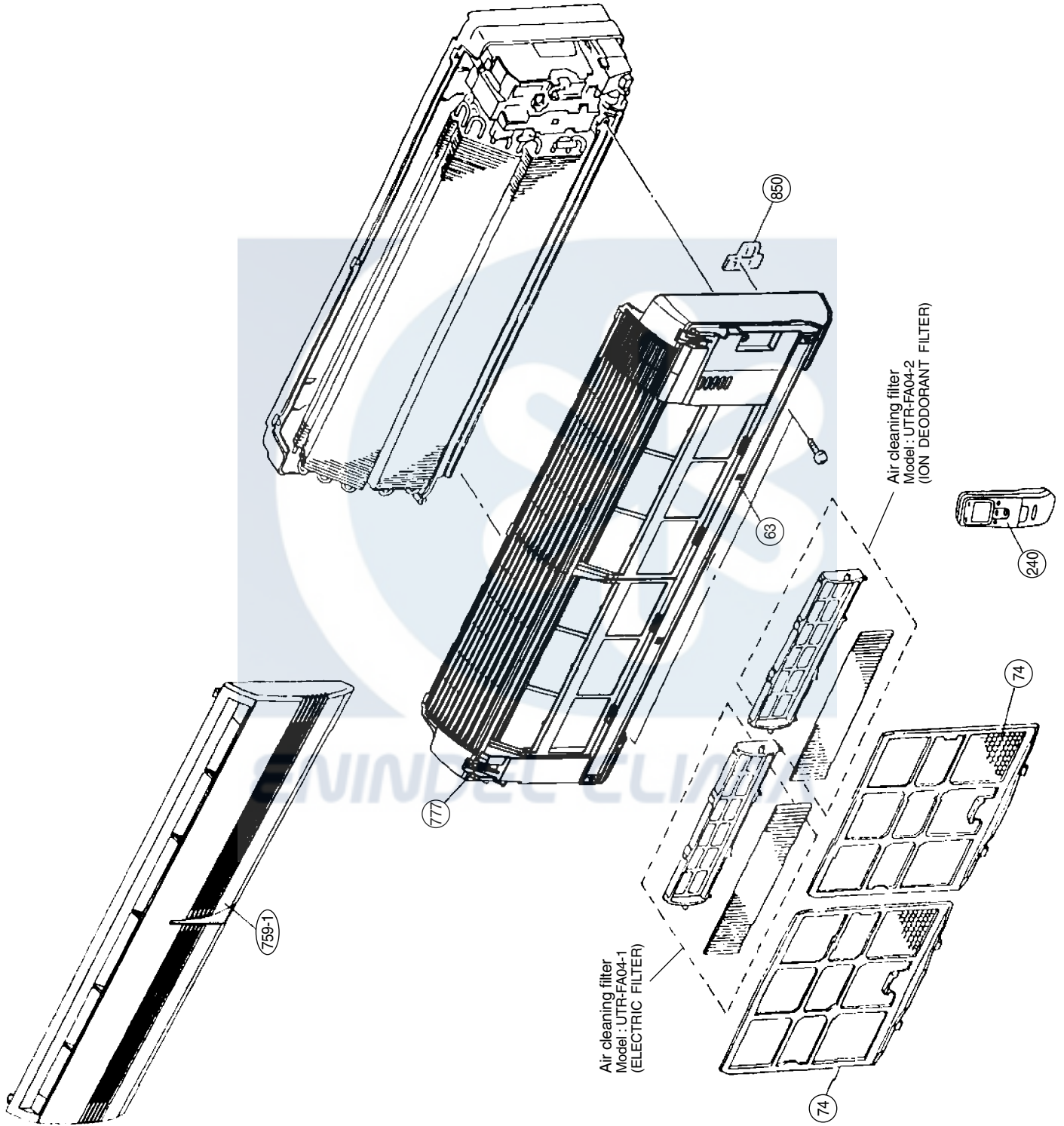
Jumper wire configurations

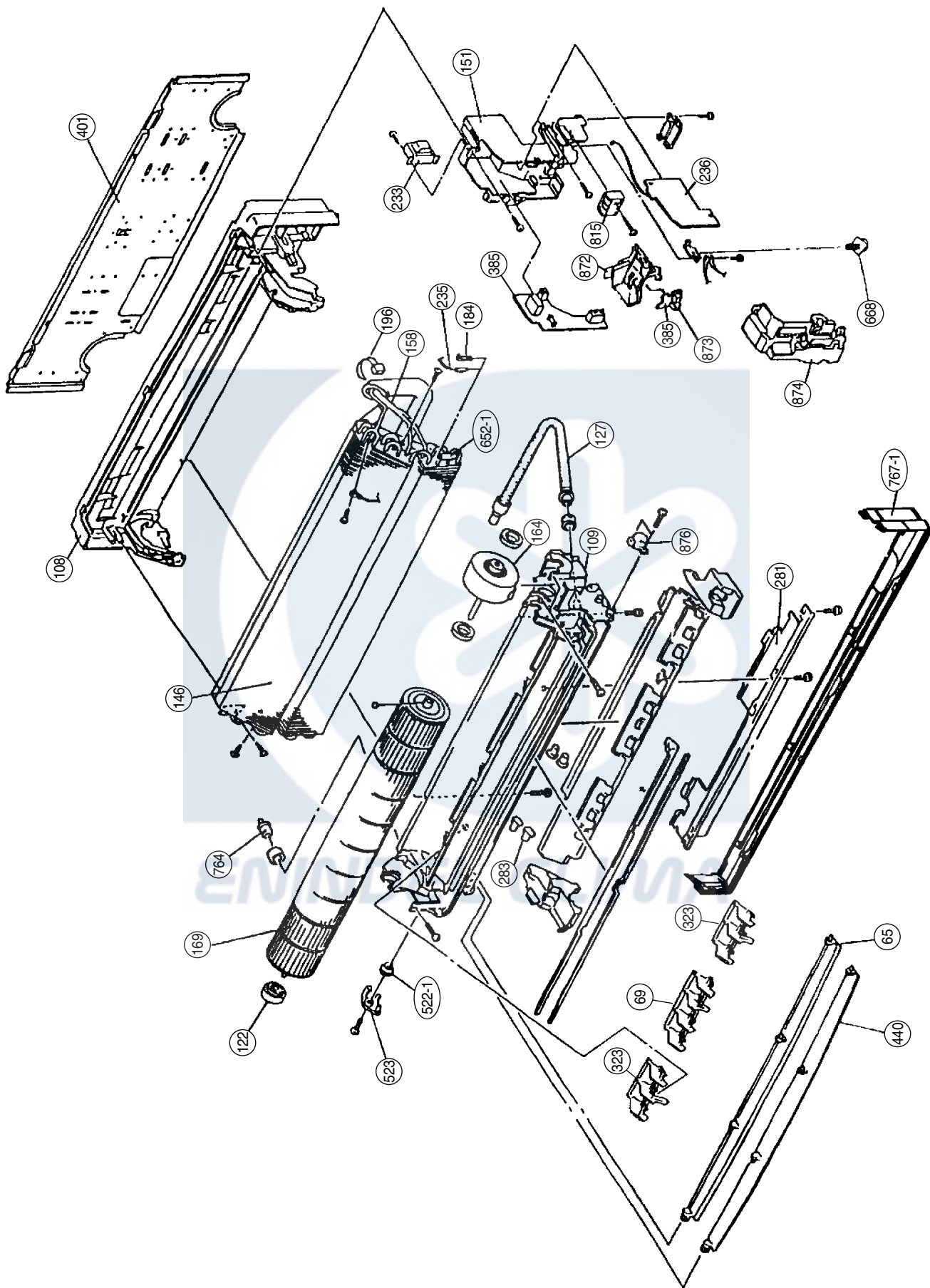
| Switch | Function | ON / Linked | OFF / Open |
|--------|----------------------|-------------|------------|
| JM1 | Heating compensation | +4 | 0 |
| JM2 | Cooling compensation | 0 | -2 |
| JM3 | Auto restart | enable | disable |
| JM4 | Custom code | A | B |



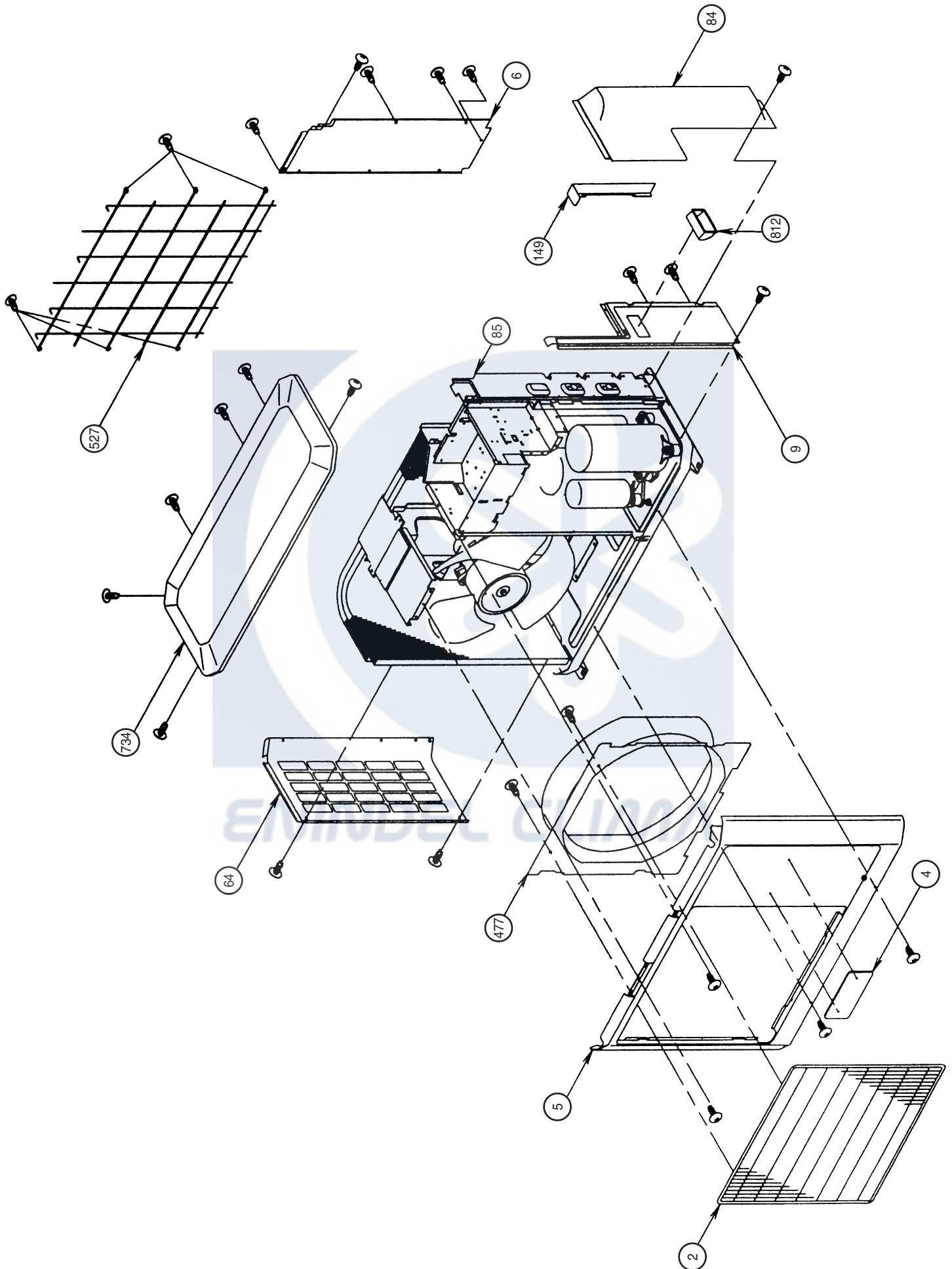
DISASSEMBLY ILLUSTRATION

Model : HSM-9FA

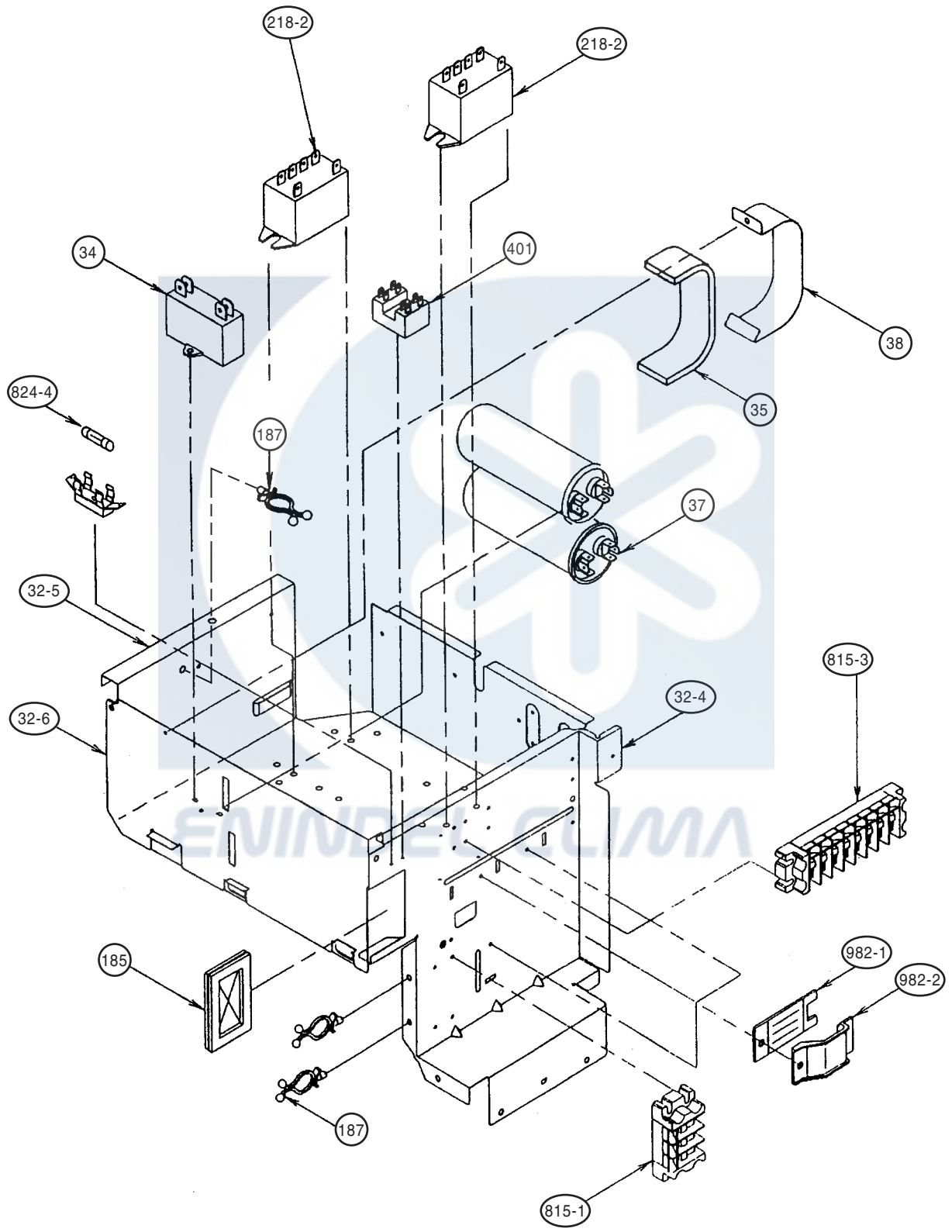




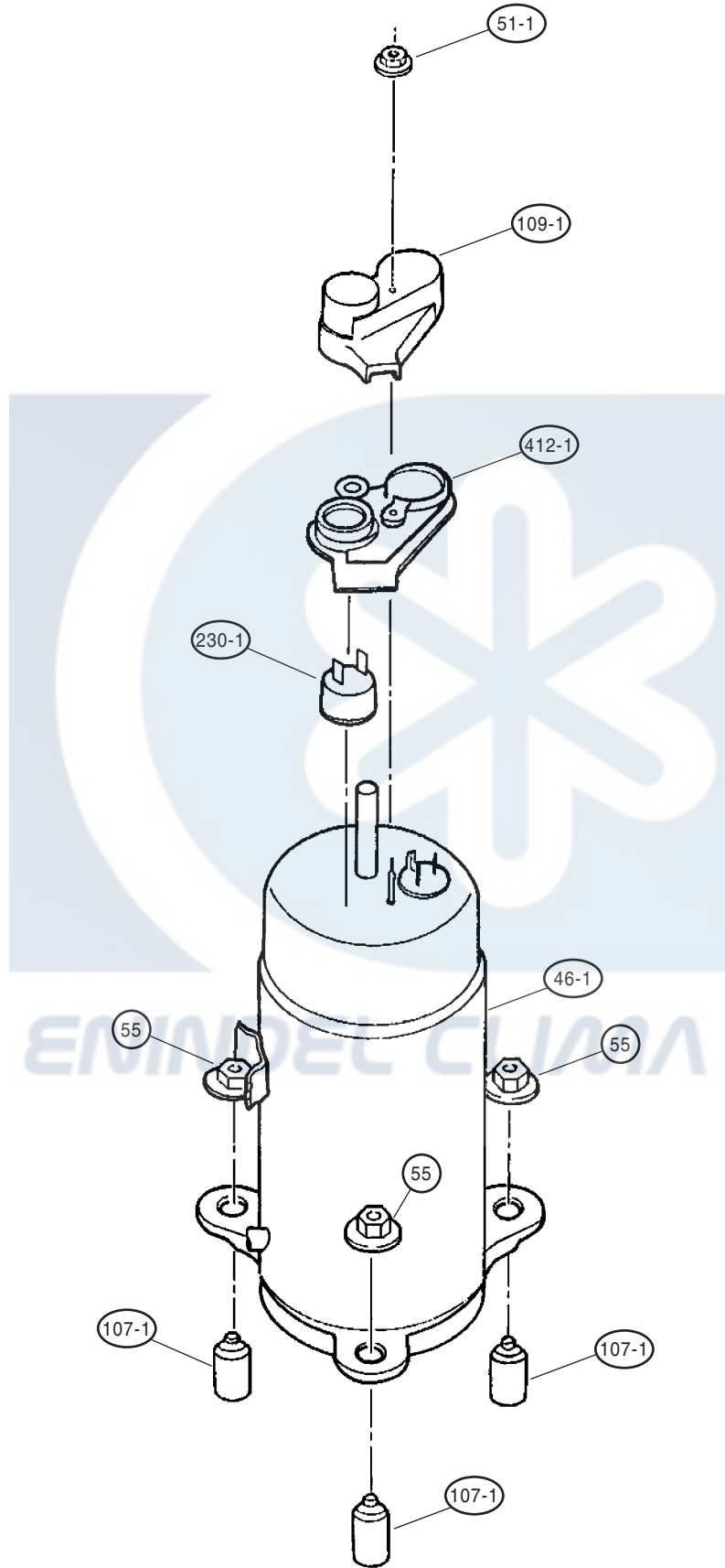
Models : HOM-19F2A
HOM-19F2B



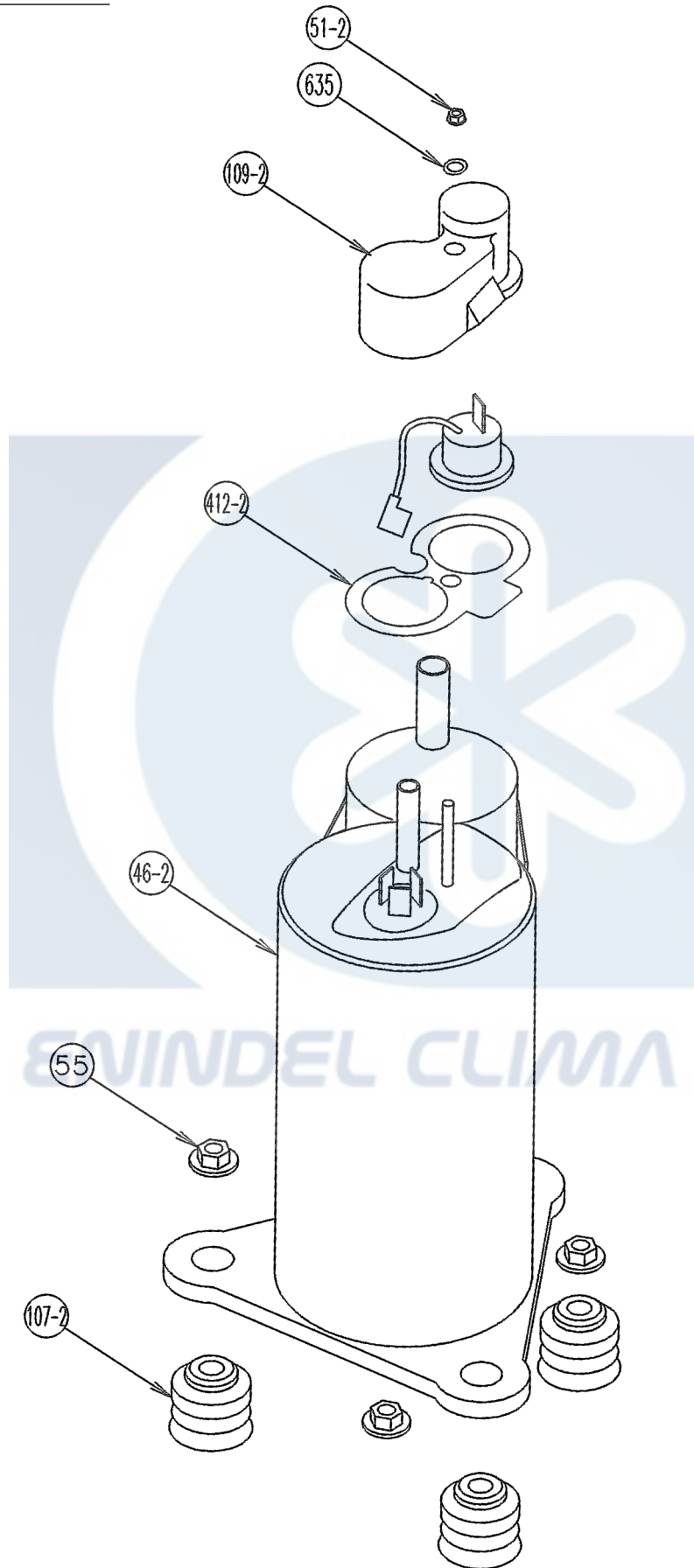
**Models : HOM-19F2A
HOM-19F2B**



Model : HOM-19F2A



Model : HOM-19F2B



PARTS LIST

INDOOR UNIT

| Ref. No. | Description | Part No. | Ord. Q'ty |
|----------|--------------------------------|-------------------------------|-----------|
| | | HSM-9FA | |
| 63 | Front Panel Assy | 9312172184 | |
| 65 | Flow Control Panel-Z | 9306058043 | |
| 69 | Louver-A | 9306055028 | |
| 74 | Filter | 9305444014 | |
| 108 | Base | 9309755062 | |
| 109 | Casing Assy | 9312173082 | |
| 122 | Shaft Holder-B | 9303066010 | |
| 127 | Drain Hose Assy | 9305550029 | |
| 146 | Evaporator Assy | 9601844013 | |
| 151 | Control Box | 9330007017 | |
| 158 | Connecting Pipe Assy | 9306416010 | |
| 164 | Fan Motor Assy-IN | 9601844013 | |
| 169 | Cross-Flow Fan Assy | 9307836015 | |
| 184 | Thermistor Spring | 313728262708 | |
| 196 | Clamp SKB-150 | 313035356905 | |
| 233 | Power Transformer | 9900028015 | |
| 235 | Thermistor (Pipe) | 9702039059 | |
| 236 | Controller PCB Assy | 9704865045 (EZ-00205WSE-C) | |
| 240 | Remote Control Unit | 9374322220 | |
| 281 | Bracket (Pipe) | 9306063009 | |
| 283 | Bushing-A | 9303529010 | |
| 323 | Louver-B | 9306056025 | |
| 385 | PCB (Indicator + Power supply) | 9704871015 (EZ-002SWSE-F) | |
| 401 | Wall Hook Bracket | 9304358008 | |
| 440 | Flow Control Panel-U | 9306057046 | |
| 522-1 | Gear-A | 9306062002 | |
| 523 | Gear Bracket | 9306407001 | |
| 652-1 | Thermistor Holder Pipe | 313714262805 | |
| 668 | Screw w/Washer | 313681304205 | |
| 759-1 | Intake Grille-F | 9330002036 | |
| 764 | Drain Cap Assy | 9304150008 | |
| 767-1 | Bottom Cover | 9330004016 | |
| 777 | Clamper(Grille) | 9306755010 | |
| 815 | Terminal | 9900040055 | |
| 850 | Window (Receiver) | 9330003019 | |
| 872 | Indicator Case | 9330009011 | |
| 873 | Lamp Cover | 9330014015 | |
| 874 | Control Box Cover | 9330008014 | |
| 876 | Step Motor | 9900139018 | |
| ---- | Thermister (Room) | 9700801115 | |

When you order parts, please make a photocopy of this page and fill the number of the parts in the "Order" column.

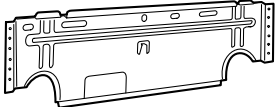

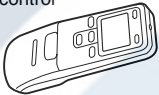

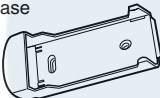
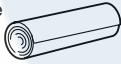


OUTDOOR UNIT

| Ref. No. | Description | Part No. | | Ord. Q'ty | Ref. No. | Description | Part No. | | Ord. Q'ty |
|----------|-------------------------------------|--------------|------------|-----------|----------|-----------------------------|--------------|--------------|-----------|
| | | HOM-19F2A | HOM-19F2B | | | | HOM-19F2A | HOM-19F2B | |
| 2 | Fan Cover | 9371187013 | 9371187013 | | 51-2 | Attachment (Nut) | ---- | 9359430018 | |
| 4 | Emblem | 9359546009 | 9359546009 | | 55 | Special Nut M8 (For Comp.) | 9355091008 | 9355091008 | |
| 5 | Cabinet-A, Painted | 9359797043 | 9359797043 | | 64 | Cabinet-Left, Painted | 9359840046 | 9359840046 | |
| 6 | Cabinet-C, Painted | 9359825029 | 9359825029 | | 84 | Valve Cover | 9359834014 | 9359834014 | |
| 9 | Cabinet-B, Painted | 9359824022 | 9359824022 | | 85 | Valve Plate Assy, Painted | 9361251021 | 9361251021 | |
| 12 | Base Assy, Painted | 9359813019 | 9359813019 | | 107-1 | Rubber Seat (For Comp.) | 9351507015 | ---- | |
| 13-1 | 3-Way Valve | 9372205044 | 9372205044 | | 107-2 | Attachment (Rubber Seat-A) | ---- | 9359425014 | |
| 14-2 | 2-Way Valve | 9372204054 | 9372204054 | | 109-1 | Terminal Cover (For Comp.) | 9302419008 | ---- | |
| 15 | Strainer Assy | 9366602019 | 9366602019 | | 109-2 | Terminal Cover (For Comp.) | ---- | 9363263008 | |
| 16 | Condenser Assy | 9374627011 | 9374627011 | | 117-3 | Hex. Nut | 301721180114 | 301721180114 | |
| 26 | Compressor Cover A | 9364595009 | 9364595009 | | 149 | Water Seal Plate | 9359841029 | 9359841029 | |
| 29 | Separate Wall | 9359805014 | 9359805014 | | 185 | Rubber Bushing | 313005066051 | 313005066051 | |
| 32-4 | Control Box Metal-D | 9361247000 | 9361247000 | | 187 | Clamp No. 1219 | 313361271706 | 313361271706 | |
| 32-5 | Control Box Metal-E | 9361248007 | 9361248007 | | 218-2 | Power Relay | 9900239015 | 9900239015 | |
| 32-6 | Control Box Metal-F | 9361249004 | 9361249004 | | 230-1 | Ocr assy (MRA99134-9201) | 9311143000 | ---- | |
| 34 | Capacitor (Fan Motor) | 9703306051 | 9703306051 | | 328 | Compressor Plate Assy | 9359830030 | 9359830030 | |
| 35 | Control Box Insulation-h | 9361521001 | 9361521001 | | 401 | Terminal-2P | 9701971015 | 9701971015 | |
| 37 | Running Capacitor | 9704436139 | 9704436139 | | 412-1 | Terminal Gasket (For Comp.) | 9351505011 | ---- | |
| 38 | Clamp Metal (Capacitor) | 9352123009 | 9352123009 | | 412-2 | Attachment (Cover Gasket) | ---- | 9362004008 | |
| 39 | Propeller Fan | 9359837015 | 9359837015 | | 477 | Bellmouth | 9359809012 | 9359809012 | |
| 41-2 | Fan Motor Induction-Out (MFB-30NTT) | 9601754022 | 9601754022 | | 527 | Protective Net | 9359845010 | 9359845010 | |
| 45-3 | Motor Bracket-A | 9369627002 | 9369627002 | | 635 | Attachment Washer (Gasket) | ---- | 9359428015 | |
| 45-4 | Motor Bracket-B | 9371439013 | 9371439013 | | 734 | Top Plate, Painted | 9359799023 | 9359799023 | |
| 45-6 | Motor Bracket-D | 9369630002 | 9369630002 | | 812 | Grip | 9352157004 | 9352157004 | |
| 45-7 | Motor Bracket center da | 9373076018 | 9373076018 | | 815-1 | Terminal-3P | 9358660027 | 9358660027 | |
| 46-1 | Compressor Assy (802-141-65B) | 9373010029 | ---- | | 815-3 | Terminal-8P | 9358660119 | 9358660119 | |
| 46-2 | Compressor (GK-120-PAB) | ---- | 9373548027 | | 824-4 | Fuse (5A-250V) | 0600285234 | 0600285234 | |
| 51-1 | Special Nut (For Comp.) | 313199233602 | ---- | | 827 | Capillary-tube A Assy | 9360814142 | 9360814142 | |
| | | | | | 828 | Capillary-tube B Assy | 9360815149 | 9360815149 | |
| | | | | | 982-1 | Cord Clamp | 9356857009 | 9356857009 | |
| | | | | | 982-2 | Cord Clamp-B | 9356858006 | 9356858006 | |

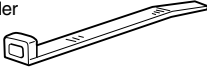


When you order parts, please make a photocopy of this page and fill the number of the parts in the "Order" column.

STANDARD ACCESSORIES

INDOOR UNIT ACCESSORIES

| Name and Shape | Q'ty | Part No. |
|--|-------|-------------------------|
| Wall hook bracket  | 1 | 9304358008 |
| Wall cap-B  | 1 | 313714296205 |
| Remote control unit  | 1 | 9374322220 (AR-JW22) |
| Battery (penlight)  | 1 set | 0600185534 |
| Remote control unit holder case  | 1 | 9305642014 |
| Cloth tape  | 1 | 9308117007 |
| Tapping screw (big) ($\phi 4 \times 25$)  | 8 | 0700076046 |
| Tapping screw (small) ($\phi 3 \times 12$)  | 2 | 0700019036 |

OUTDOOR UNIT ACCESSORIES

| Name and Shape | Q'ty | Part No. |
|---|------|--------------|
| Binder  | 2 | 312300787605 |
| Putty  | 1 | 303020200114 |
| Hexagon wrench  | 1 | 9351228019 |

