



**SPLIT TYPE
ROOM AIR CONDITIONER
WALL MOUNTED** type

SERVICE MANUAL



Models	Indoor unit	Outdoor unit
	HS-18FA	HO-18FA
	HS-18FB	HO-18FB
	HS-18UA	HO-18UA
	HS-18UB	HO-18UB
	HS-24FB	HO-24FB
	HS-24UB	HO-24UB
	HS-30FB	HO-30FB
	HS-30UB	HO-30UB
	(made in Thailand)	
	HS-18FC	HO-18FE
	HS-18UC	HO-18UE
	HS-24FC	HO-24FC
	HS-24UC	HO-24UC
	(made in China)	

ENINDEL CLIMA

CONTENTS

SPECIFICATIONS	1
OUTLINE AND DIMENSIONS	3
REFRIGERANT SYSTEM DIAGRAM	5
CIRCUIT DIAGRAM	8
ERROR DISPLAY	13
PCB CIRCUIT DIAGRAM	15
DISASSEMBLY ILLUSTRATION (Indoor Unit)	17
DISASSEMBLY ILLUSTRATION (Outdoor Unit)	21
PARTS LIST (Indoor Unit)	32
PARTS LIST (Outdoor Unit)	38

FUJITSU GENERAL LIMITED

WWW.ENINDEL.COM

SPECIFICATIONS

TYPE	Cool			
INDOOR UNIT	HS-18FA	HS-18FB HS-18FC	HS-24FB HS-24FC	HS-30FB
OUTDOOR UNIT	HO-18FA	HO-18FB HO-18FE	HO-24FB HO-24FC	HO-30FB
COOLING CAPACITY (kW)	5.40		6.80	7.90

ELECTRICAL DATA

POWER SOURCE (V)	230			
FREQUENCY (Hz)	50			
RUNNING CURRENT (A)	7.3	8.5	10.6	13.0
INPUT WATTS (kW)	1.66	1.90	2.40	2.75
E.E.R. (kW/kW)	3.25	2.84	2.83	2.87
MOISTURE REMOVAL (ℓ/hr)	2.0		2.5	3.0
AIR CIRCULATION-Hi (m ³ /hr)	950	795	950	1,040

COMPRESSOR

TYPE	Hermetic type, Deposit electrode condenser, 2 poles. Single phase, Induction motor, Rotary			
CODE	5KS205DAB	5KS225DAC	5JS290DAA	5JS315DAD
REFRIGERANT R410A (g)	1,450	900	1,550	2,300

FAN MOTOR

POWER SOURCE (V)	230			
INDOOR UNIT	TYPE	MFA-30HTT		
	HI-SPEED (r.p.m.)	1,190	1,040	1,190
	MED-SPEED (r.p.m.)	980	890	1,020
	LO-SPEED (r.p.m.)	760		880
OUTDOOR UNIT	TYPE	MFB-24JTT		MFB-30NTAT
	HI-SPEED (r.p.m.)	780		730
	LO-SPEED (r.p.m.)	----		450

DIMENSIONS

INDOOR UNIT	H x W x D (mm)	320 x 1,120 x 220		
OUTDOOR UNIT	H x W x D (mm)	650 x 830 x 320		900 x 900 x 350

WEIGHT

INDOOR UNIT	GROSS / NET (kg)	22 / 16		
OUTDOOR UNIT	GROSS / NET (kg)	55 / 51	51 / 47	62 / 58

REFRIGERANT CHARGE (R410A)

FULL CHARGE AMOUNT	Pipe Length	7.5 m (25 ft)	1,450 g (51.1 oz)	900 g (31.8 oz)	1,550 g (54.7 oz)	2,300 g (81.1 oz)
		10 m (33 ft)	1,500 g (54.6 oz)	950 g (33.5 oz)	1,600 g (56.4 oz)	2,350 g (82.9 oz)
		15 m (49 ft)	1,600 g (56.4 oz)	1,050 g (37.0 oz)	1,700 g (60.0 oz)	2,450 g (86.4 oz)
		20 m (66 ft)	1,700 g (60.0 oz)	1,150 g (40.6 oz)	1,800 g (63.5 oz)	2,550 g (89.9 oz)
		25 m (82 ft)	-	-	-	2,650 g (93.5 oz)
		30 m (98 ft)	-	-	-	2,750 g (97.0 oz)
ADDITIONAL REFRIGERANT		20 g / m (0.215 oz / ft)				

TYPE		Cool and Heat			
INDOOR UNIT		HS-18UA	HS-18UB HS-18UC	HS-24UB HS-24UC	HS-30UB
OUTDOOR UNIT		HO-18UA	HO-18UB HO-18UE	HO-24UB HO-24UC	HO-30UB
COOLING CAPACITY	(kW)	5.40		6.80	7.90
HEATING CAPACITY	(kW)	5.70		7.40	8.40

ELECTRICAL DATA

POWER SOURCE	(V)	230			
FREQUENCY	(Hz)	50			
RUNNING CURRENT (Cool)	(A)	7.3	8.3	10.6	13.0
RUNNING CURRENT (Heat)	(A)	7.0	8.3	10.5	13.0
INPUT WATTS (Cool)	(kW)	1.66	1.85	2.40	2.75
INPUT WATTS (Heat)	(kW)	1.58	1.85	2.40	2.75
E.E.R. (Cool)	(kW/kW)	3.25	2.92	2.83	2.87
E.E.R. (Heat)	(kW/kW)	3.61	3.08	3.08	3.05
MOISTURE REMOVAL	(ℓ /hr)	2.0		2.50	3.0
AIR CIRCULATION-Hi	(m³/hr)	950	800	970	1,040

COMPRESSOR

TYPE	Hermetic type, Deposit electrode condenser, 2 poles. Single phase, Induction motor, Rotary				
CODE		5KS205DAB	5KS225DAC	5JS290DAA	5JS315DAD
REFRIGERANT	R410A (g)	1,550	1,550	1,700	2,300

FAN MOTOR

POWER SOURCE	(V)	230			
INDOOR UNIT	TYPE	MFA-30HTT			
	HI-SPEED (r.p.m.)	1,190	1,040	1,190	1,310
	MED-SPEED (r.p.m.)	980	890	1,020	1,180
	LO-SPEED (r.p.m.)	760		880	980
OUTDOOR UNIT	TYPE	MFB-24JTB			MFB-30NTAT
	HI- SPEED (r.p.m.)	780			730
	LO-SPEED (r.p.m.)	400			450

DIMENSIONS

INDOOR UNIT	H x W x D (mm)	320 x 1,120 x 220		
OUTDOOR UNIT	H x W x D (mm)	650 x 830 x 320		900 x 900 x 350

WEIGHT

INDOOR UNIT	GROSS / NET (kg)	22 / 16		
OUTDOOR UNIT	GROSS / NET (kg)	56 / 52	63 / 59	86 / 74

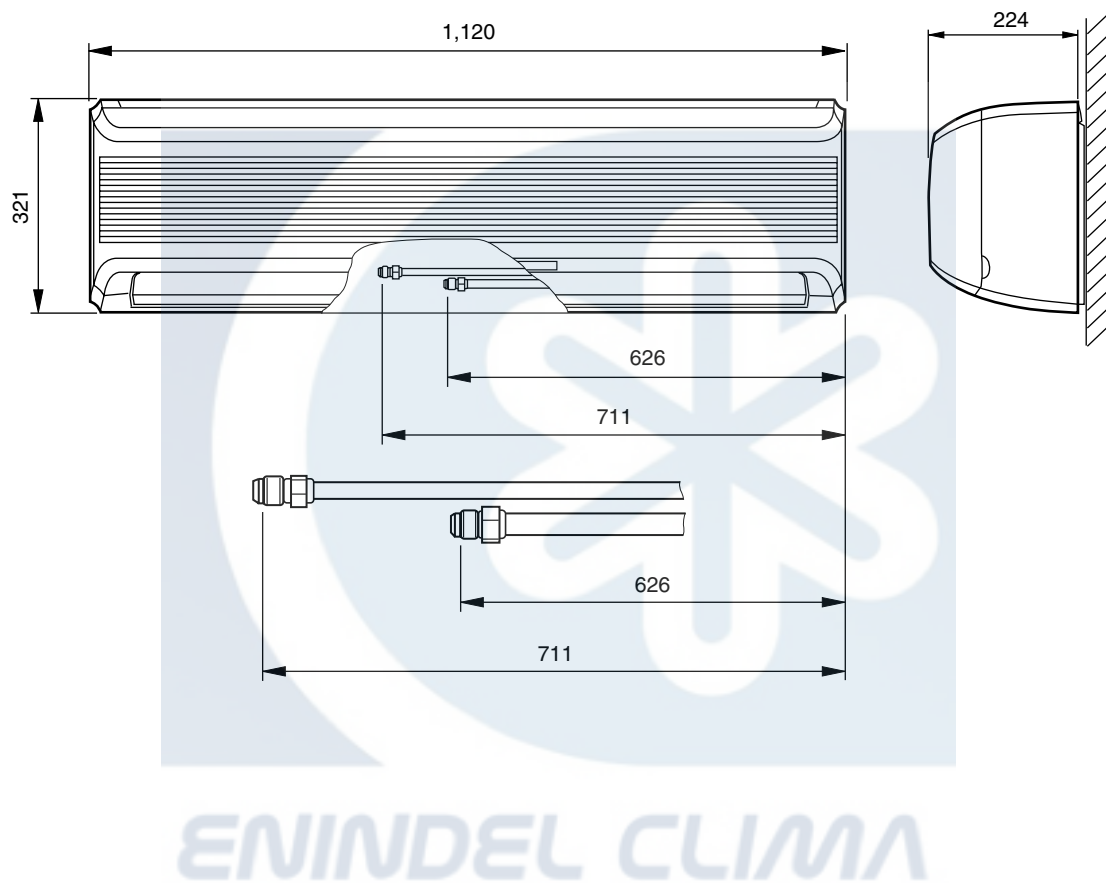
REFRIGERANT CHARGE (R410A)

FULL CHARGE AMOUNT	Pipe Length	7.5 m (25 ft)	1,550 g (54.7 oz)	1,700 g (60.0 oz)	2,300 g (81.1 oz)
		10 m (33 ft)	1,600 g (54.6 oz)	1,800 g (63.5 oz)	2,400 g (84.7 oz)
		15 m (49 ft)	1,700 g (60.0 oz)	2,000 g (70.6 oz)	2,600 g (91.7 oz)
		20 m (66 ft)	1,800 g (63.5 oz)	2,200 g (77.6 oz)	2,800 g (98.8 oz)
		25 m (82 ft)	-	-	3,000 g (105.8 oz)
ADDITIONAL REFRIGERANT		20 g / m (0.215 oz / ft)		40g / m (0.43 oz / ft)	

OUTLINE AND DIMENSIONS

Unit : mm

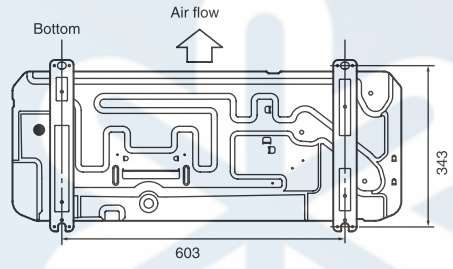
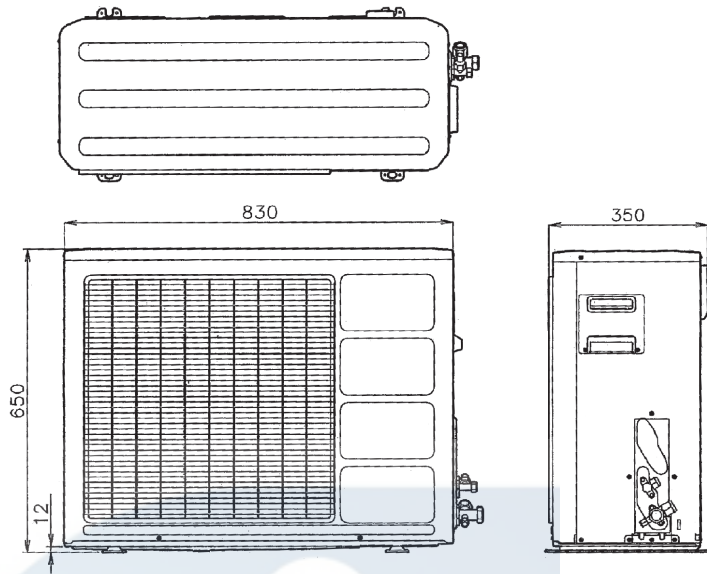
INDOOR UNIT



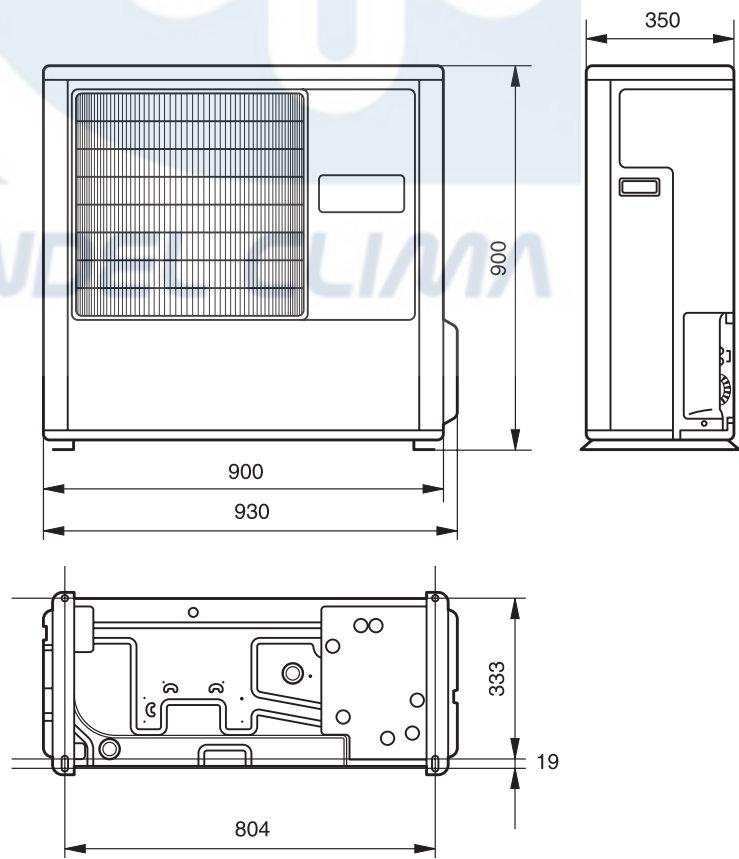
OUTDOOR UNIT

Unit : mm

Models : HO-18FA
HO-18FB
HO-18FE
HO-18UA
HO-18UB
HO-18UE
HO-24FB
HO-24FC
HO-24UB
HO-24UC

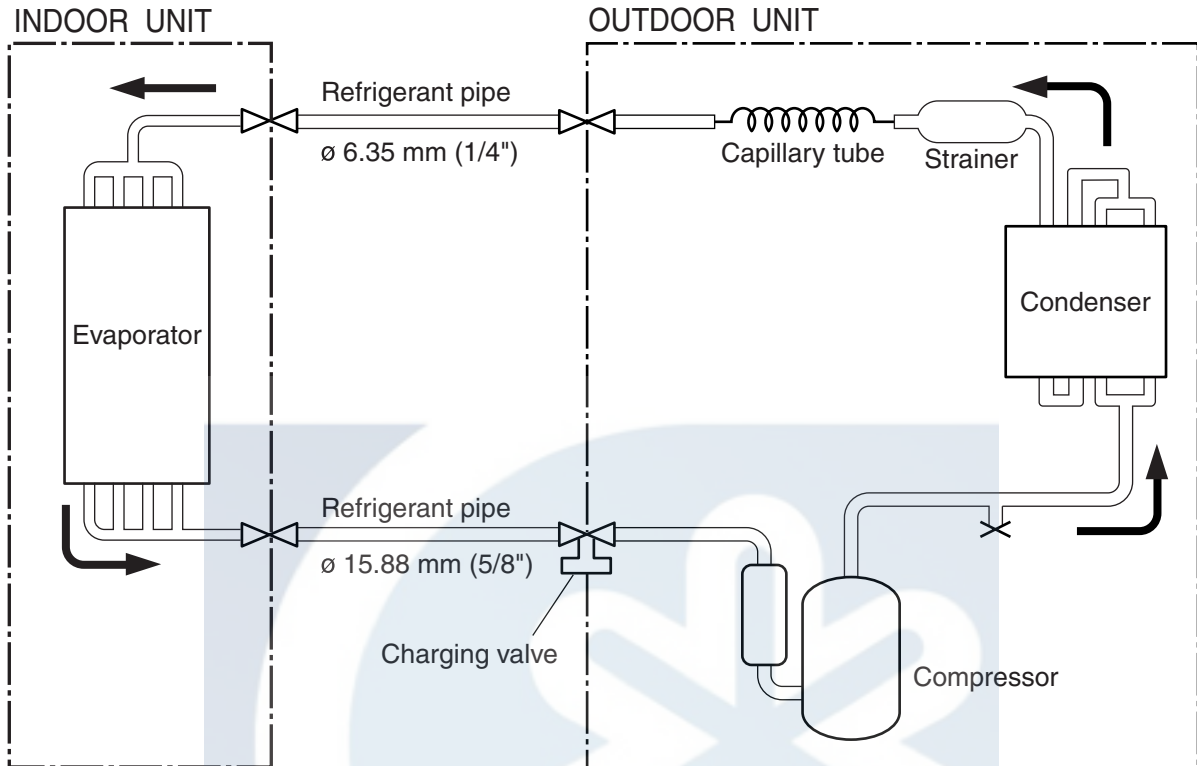


Models : HO-30FB
HO-30UB

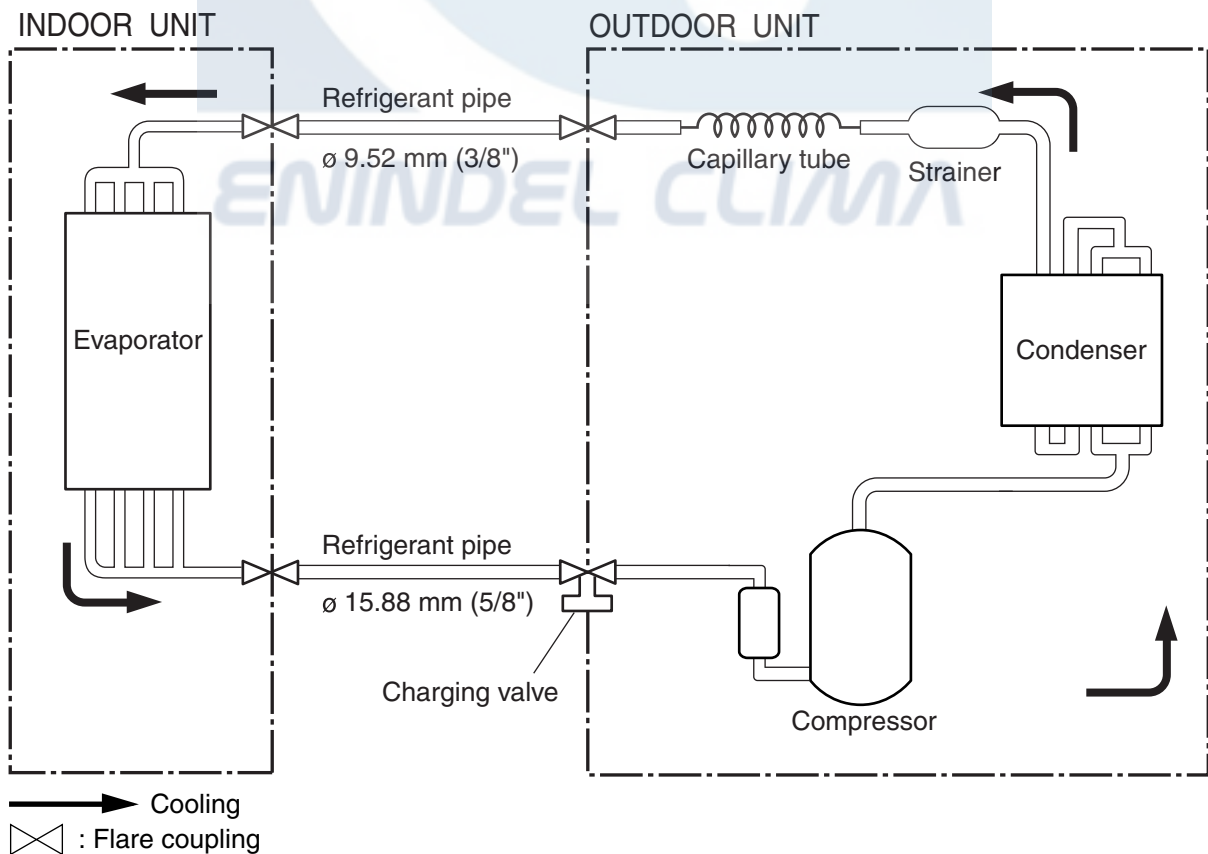


REFRIGERANT SYSTEM DIAGRAM

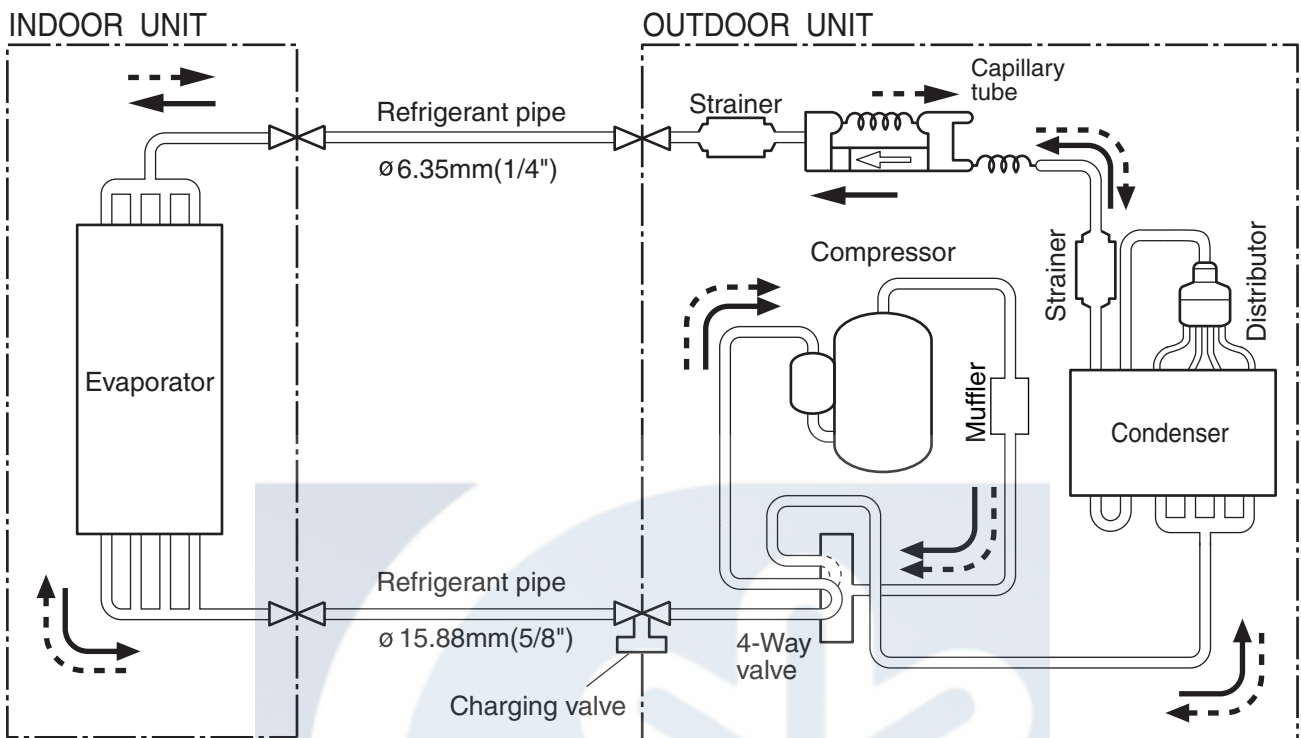
Models : HS-18FA / HO-18FA
 HS-18FB / HO-18FB
 HS-18FC / HO-18FE



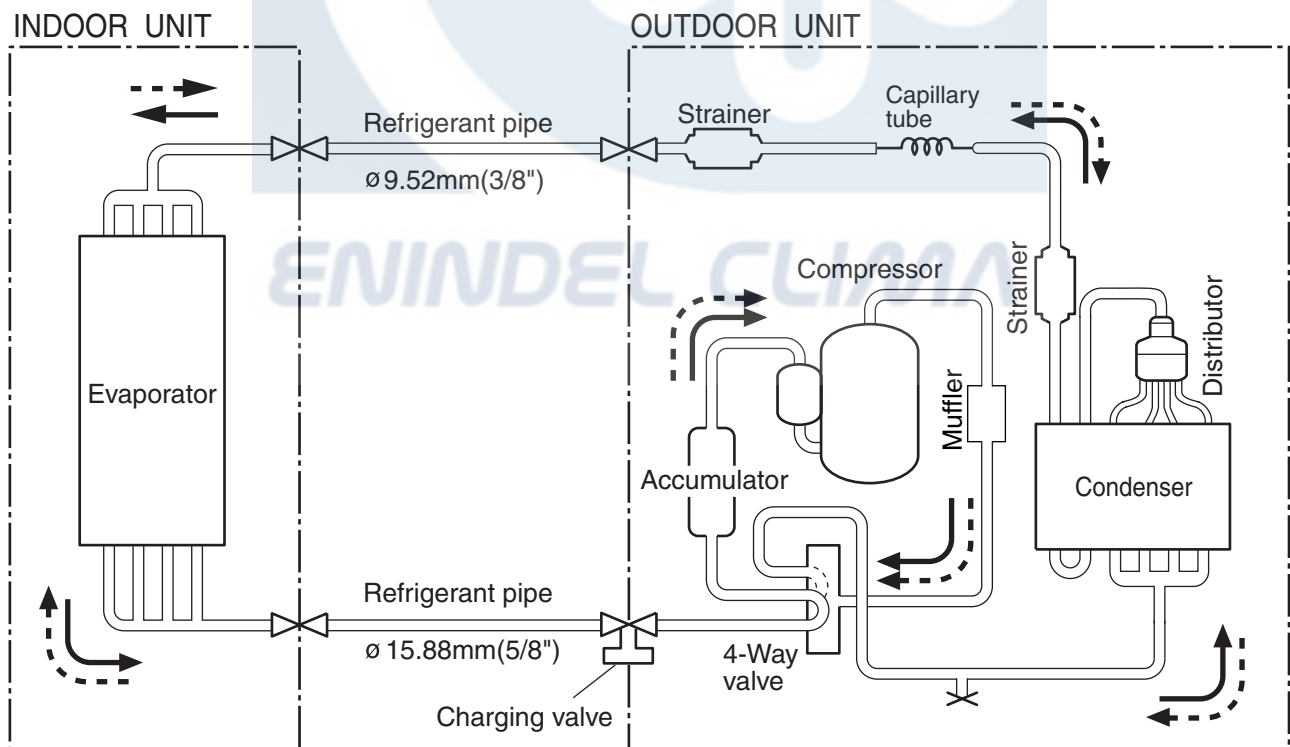
Models : HS-24FB / HO-24FB
 HS-24FC / HO-24FC



**Models : HS-18UA / HO-18UA
 HS-18UB / HO-18UB
 HS-18UC / HO-18UE**

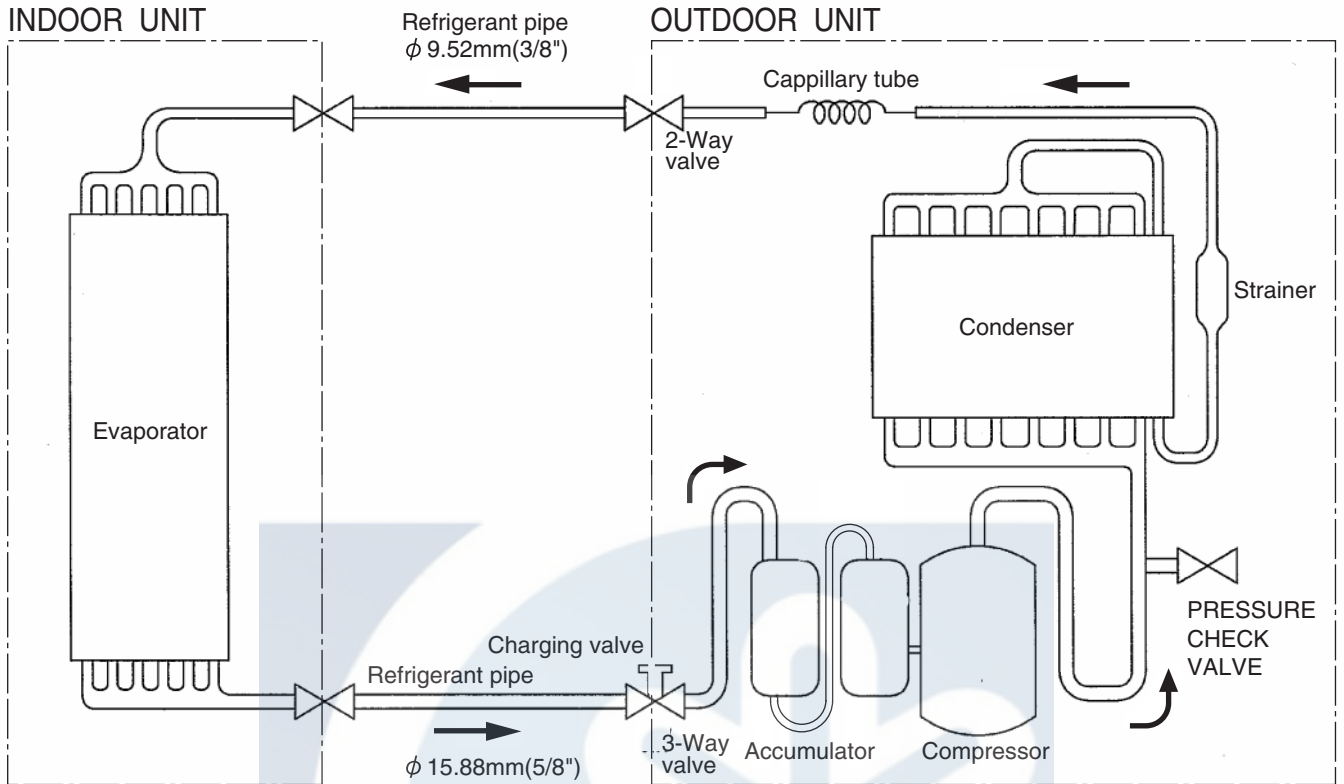


**Models : HS-24UB/ HO-24UB
 HS-24UC / HO-24UC**

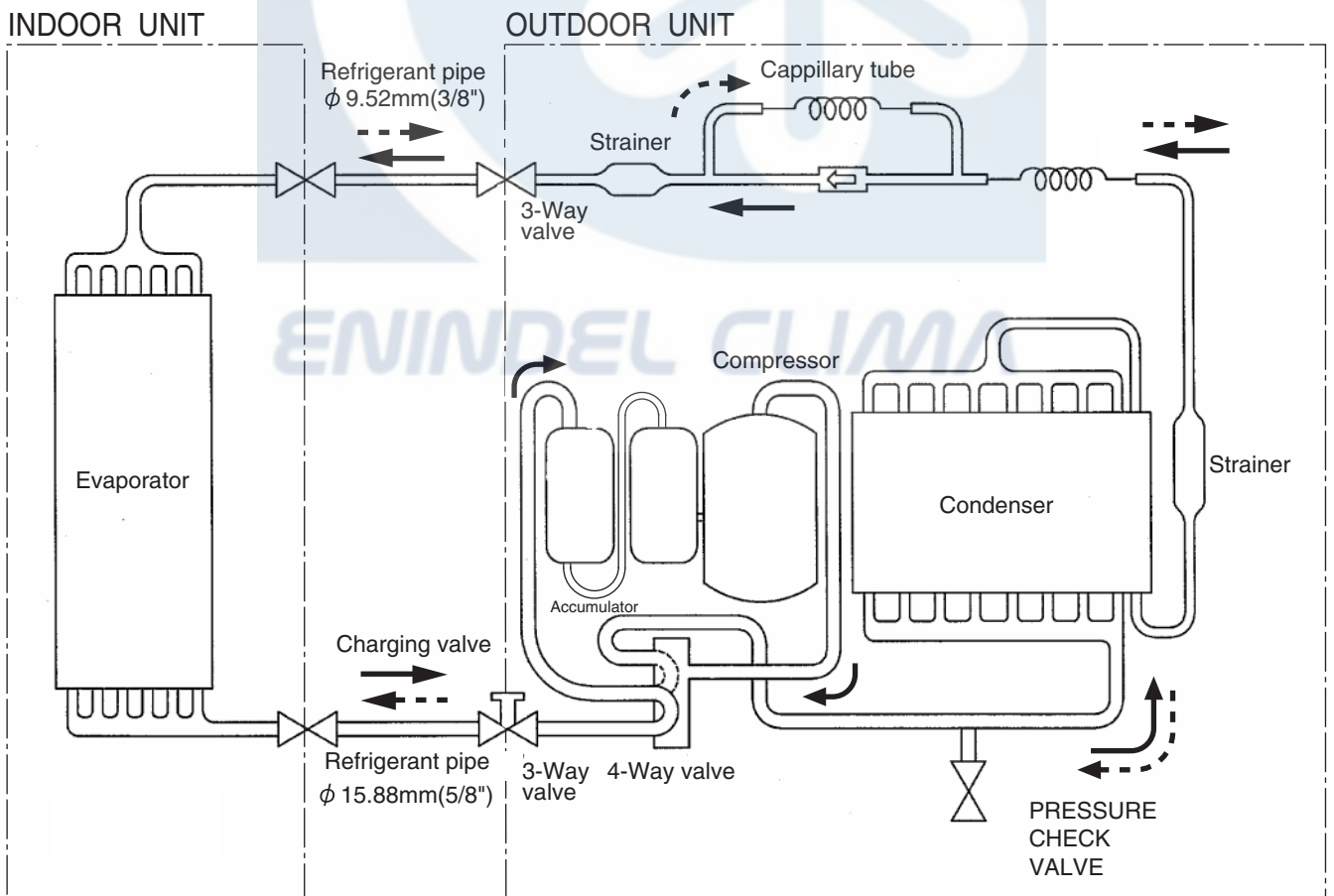


- Cooling
- Heating
- : Flare coupling

Models : HS-30FB / HO-30FB



Models : HS-30UB / HO-30UB

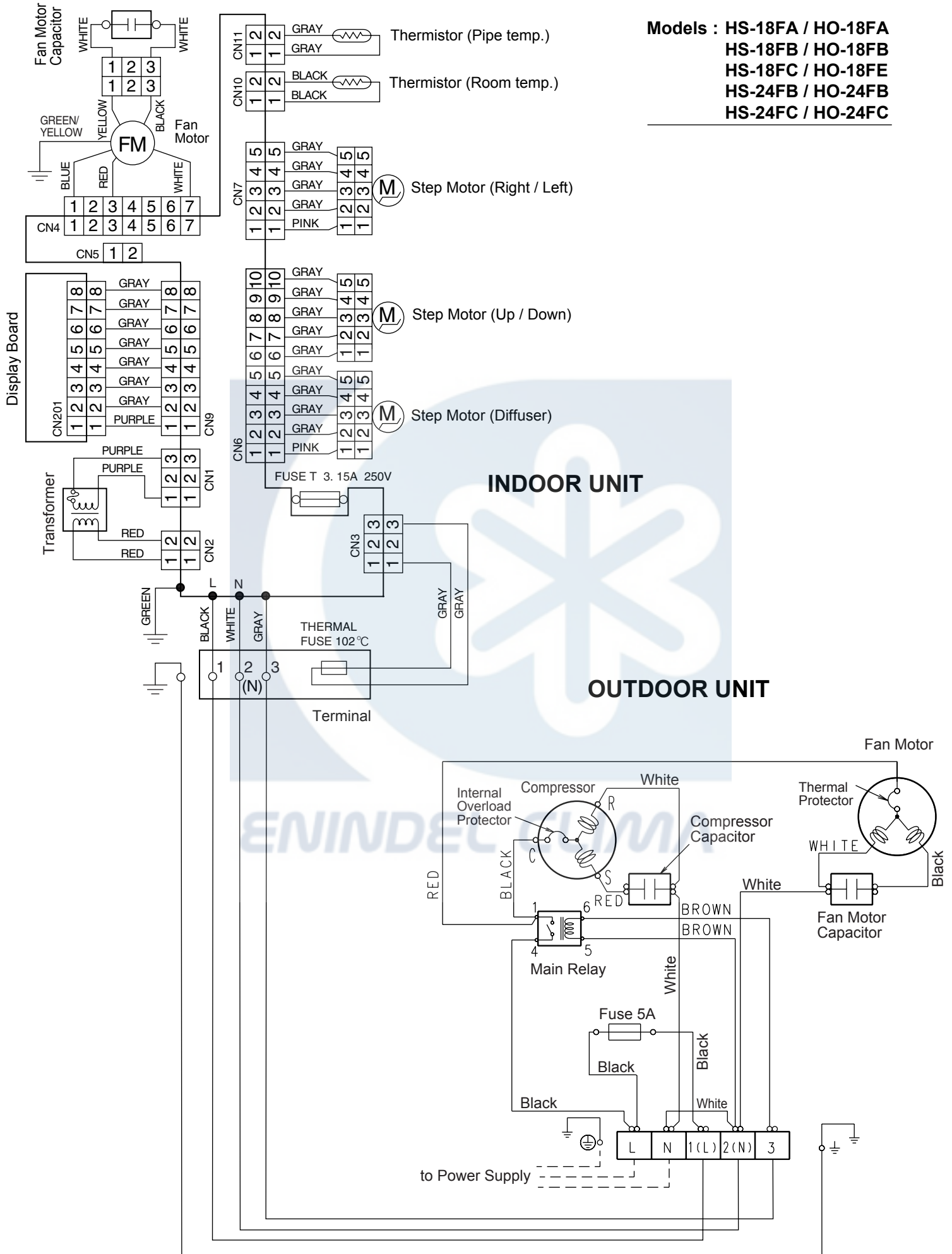


- Cooling
- - - - - Heating

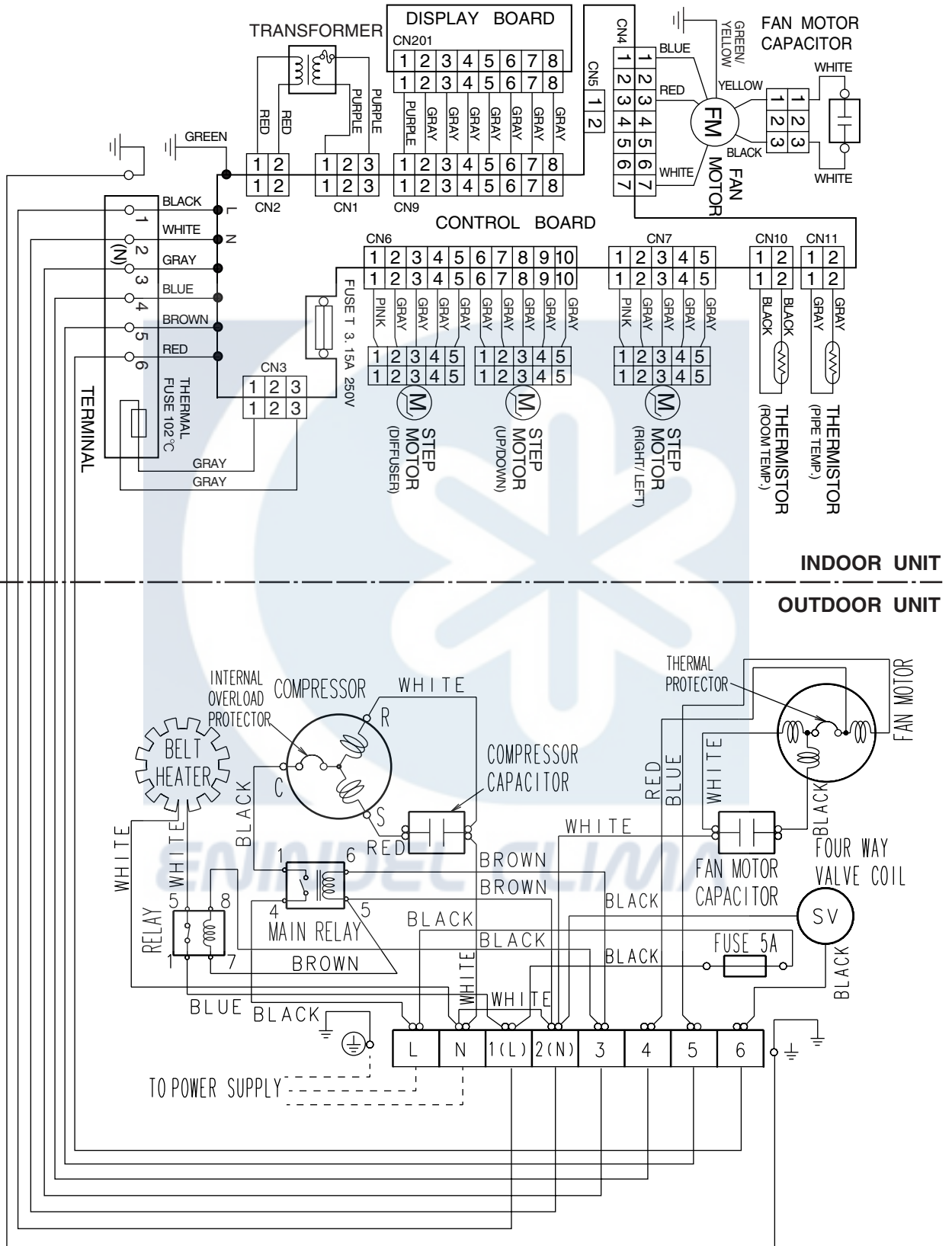
CIRCUIT DIAGRAM

Controller PCB

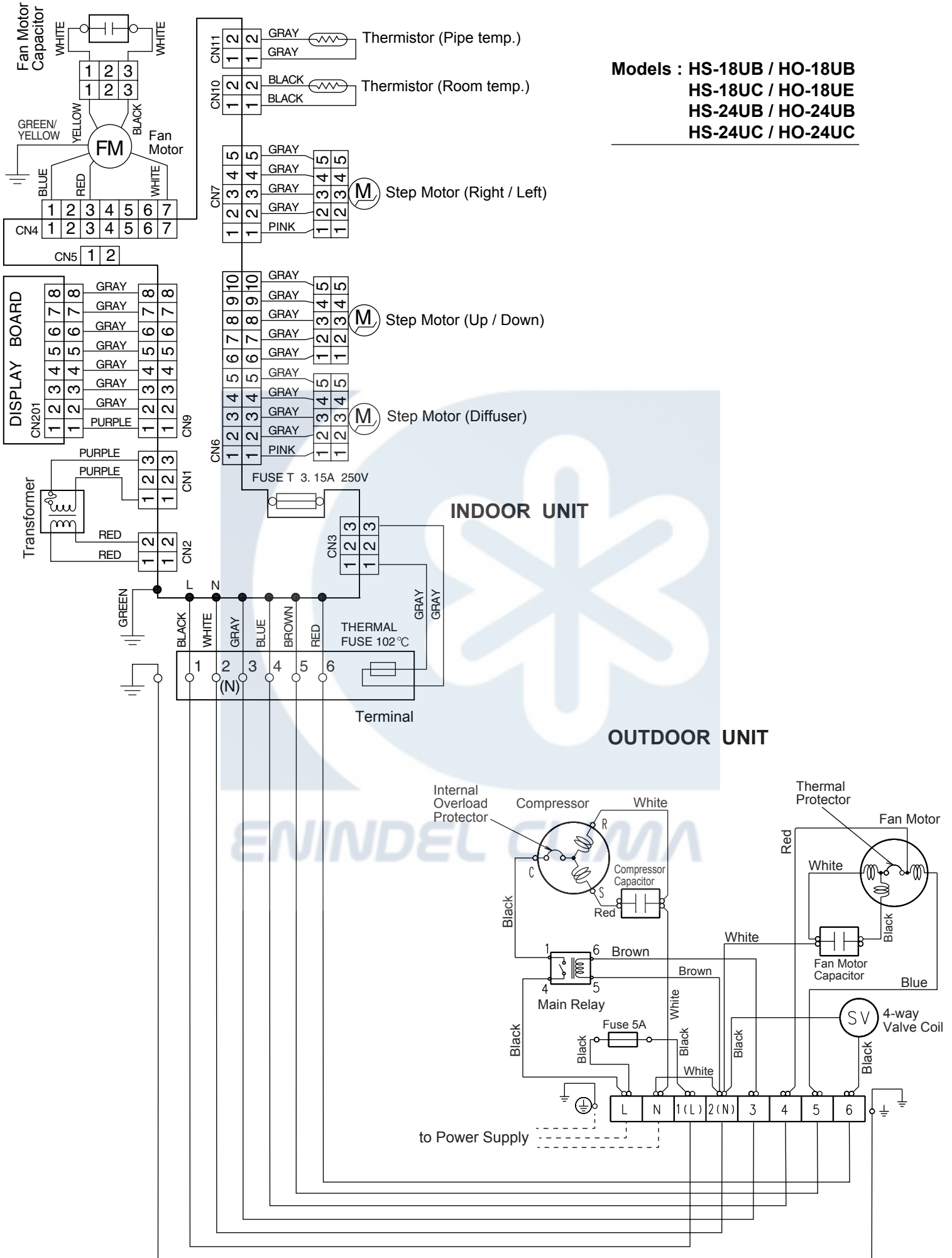
Models : HS-18FA / HO-18FA
 HS-18FB / HO-18FB
 HS-18FC / HO-18FE
 HS-24FB / HO-24FB
 HS-24FC / HO-24FC

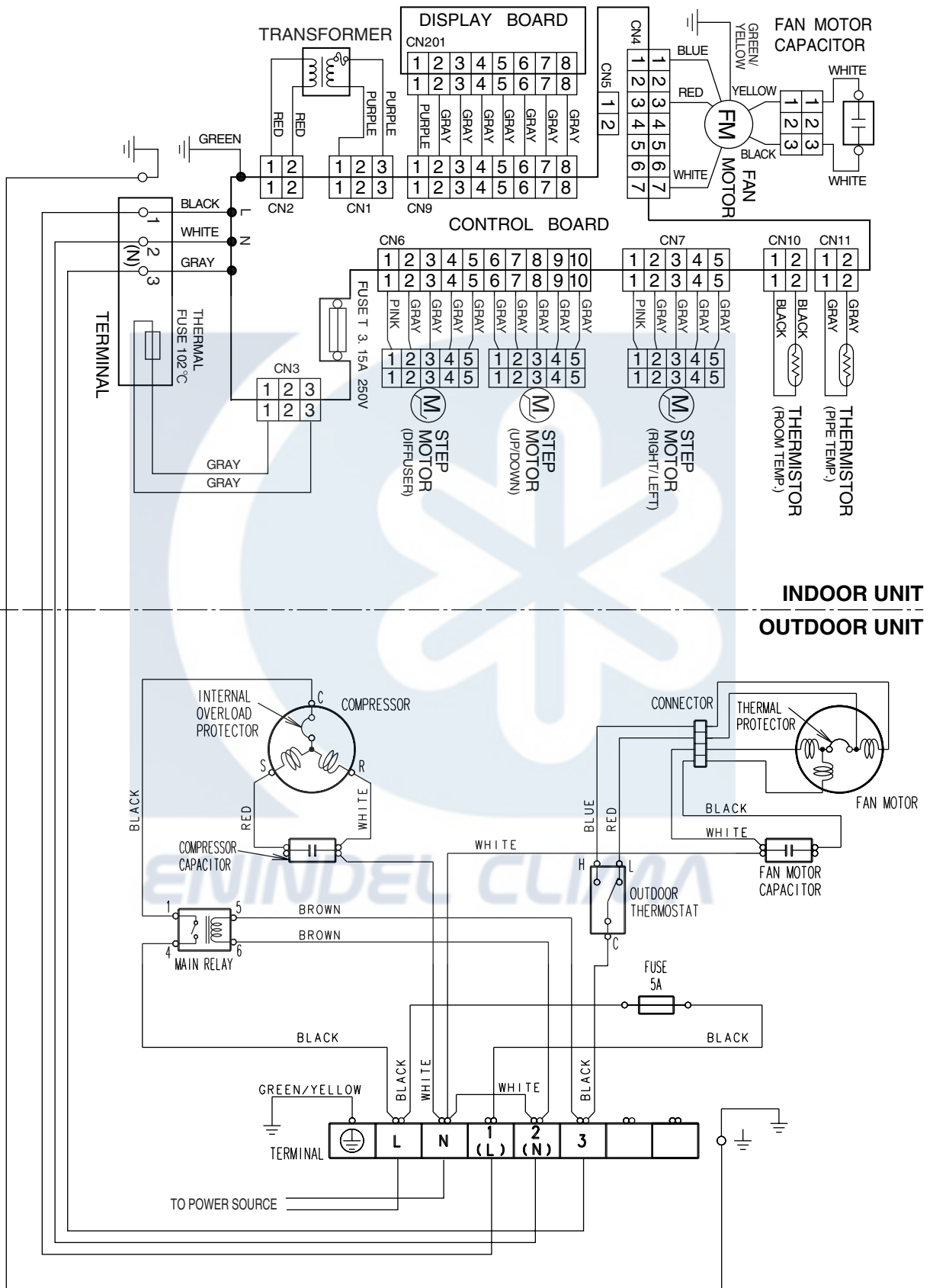


Models : HS-18UA / HO-18UA

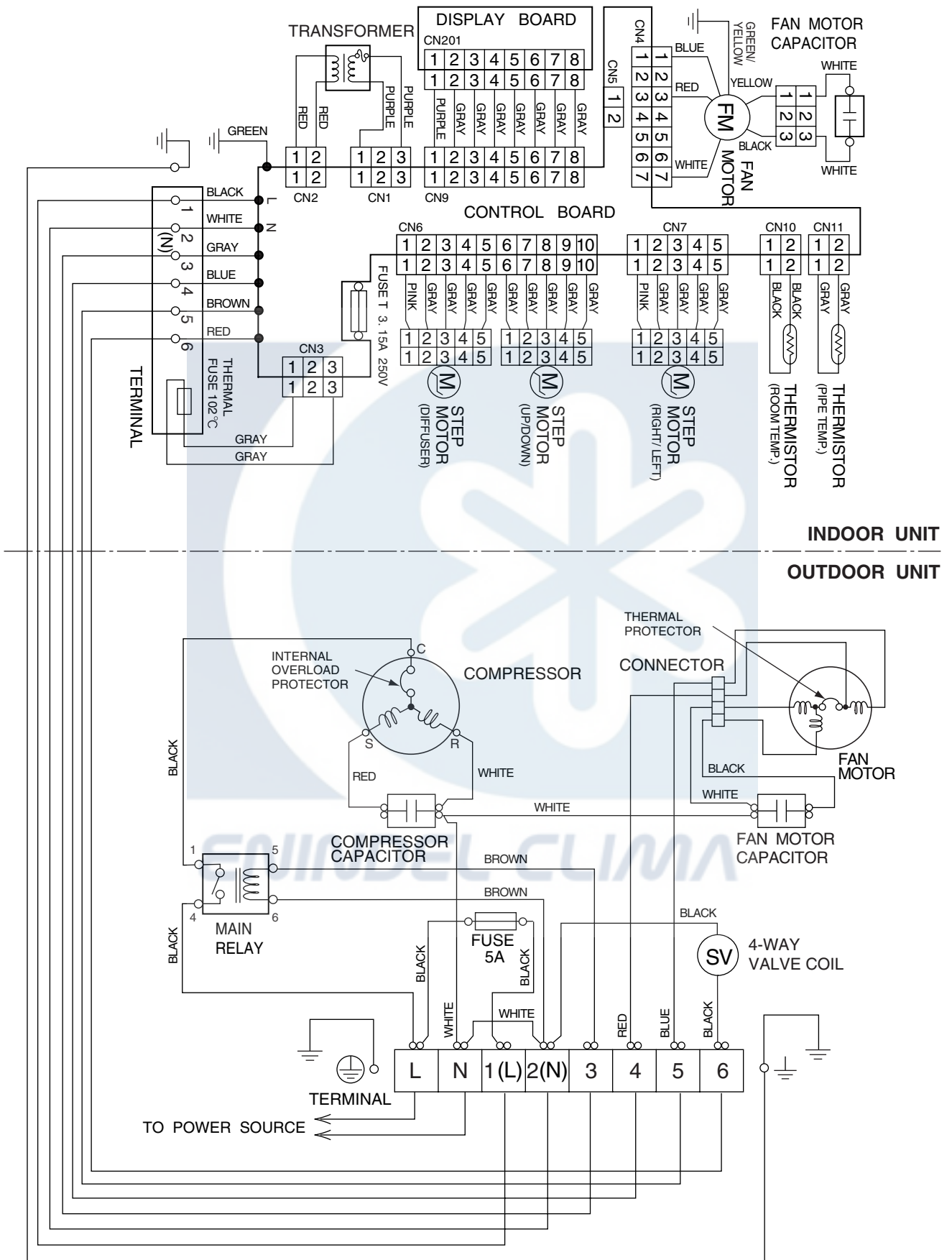


Controller PCB





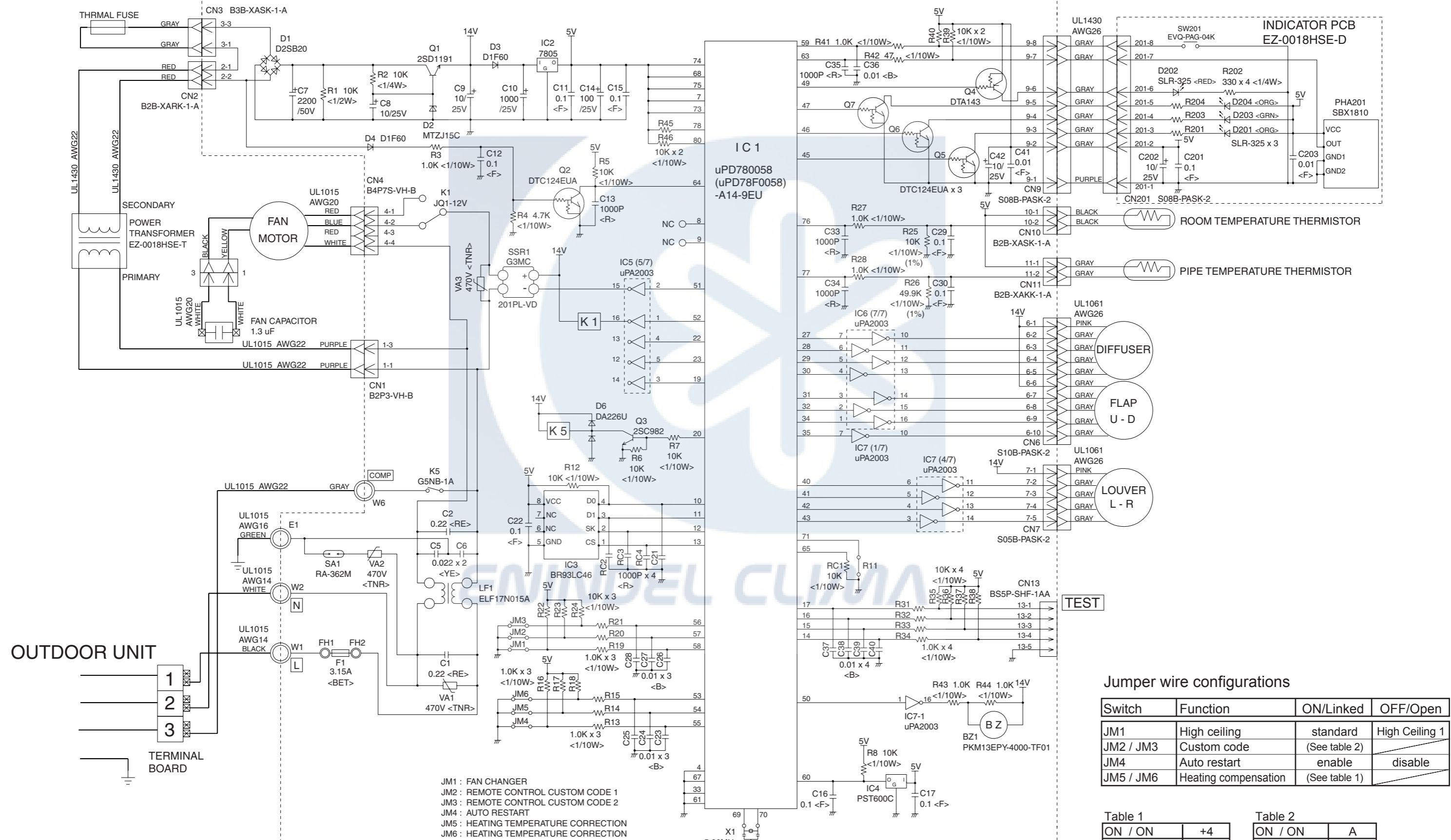
Models : HS-30UB / HO-30UB



INDOOR PCB CIRCUIT DIAGRAM

Models : HS-18FA
 HS-18FB
 HS-18FC
 HS-24FB
 HS-24FC
 HS-30FB

CONTROLLER PCB ASSEMBLY (MAIN PCB)
 HS-18FA : EZ-003HWSE-C
 HS-18FB, HS-18FC : EZ-001TWSE-C
 HS-24FB, HS-24FC : EZ-003KWSE-C
 HS-30FB : EZ-001SWSE-C



- JM1 : FAN CHANGER
- JM2 : REMOTE CONTROL CUSTOM CODE 1
- JM3 : REMOTE CONTROL CUSTOM CODE 2
- JM4 : AUTO RESTART
- JM5 : HEATING TEMPERATURE CORRECTION
- JM6 : HEATING TEMPERATURE CORRECTION

Jumper wire configurations

Switch	Function	ON/Linked	OFF/Open
JM1	High ceiling	standard	High Ceiling 1
JM2 / JM3	Custom code	(See table 2)	
JM4	Auto restart	enable	disable
JM5 / JM6	Heating compensation	(See table 1)	

Table 1

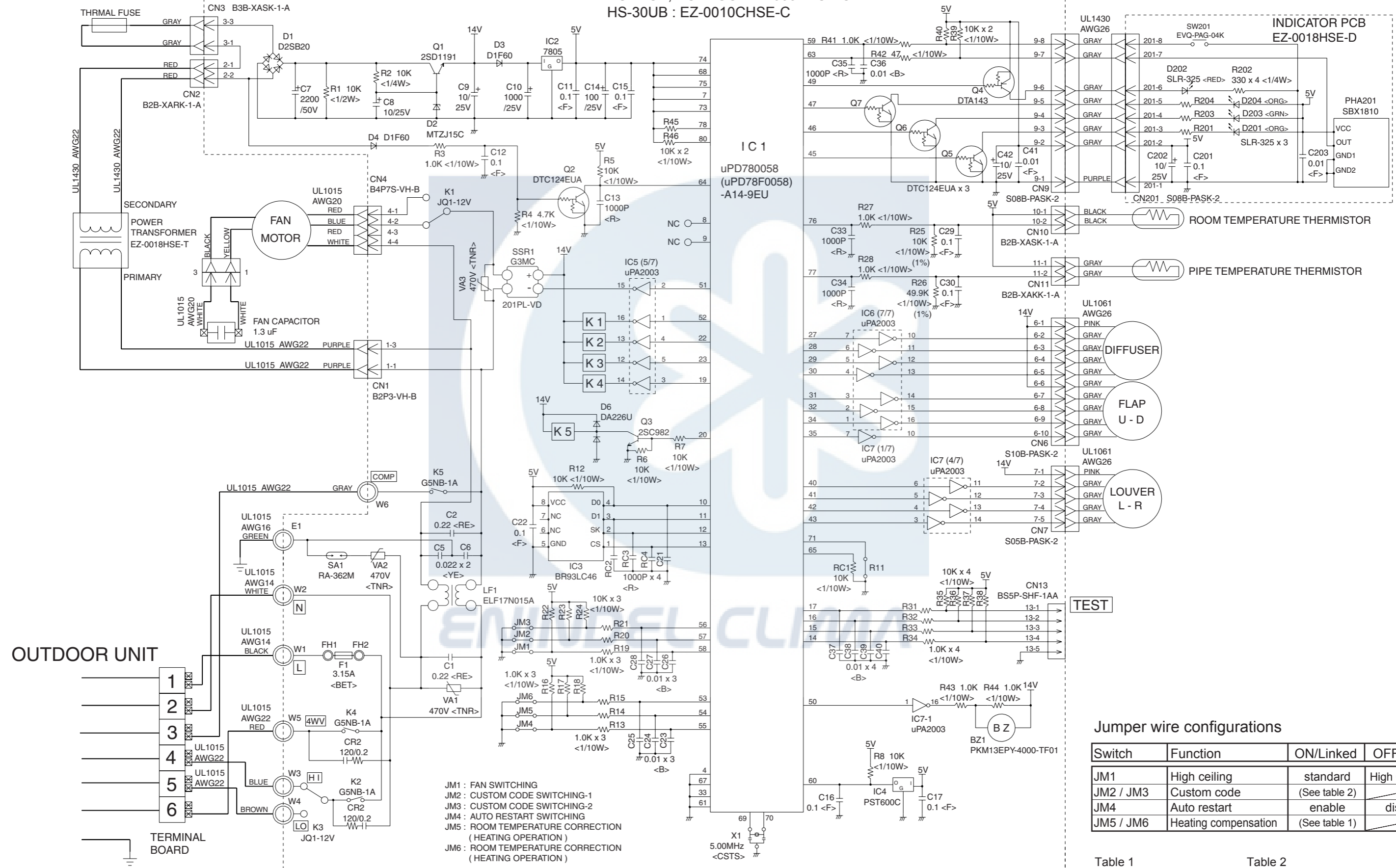
ON / ON	+4
ON / OFF	-2
OFF / ON	0
OFF / OFF	+2

Table 2

ON / ON	A
ON / OFF	B
OFF / ON	C
OFF / OFF	D

Models : HS-18UA
 HS-18UB
 HS-18UC
 HS-24UB
 HS-24UC
 HS-30UB

CONTROLLER PCB ASSEMBLY (MAIN PCB)
 HS-18UA : EZ-003WHSE-C
 HS-18UB, HS-18UC : EZ-0034HSE-C
 HS-24UB, HS-24UC : EZ-003YHSE-C
 HS-30UB : EZ-0010CHSE-C



Jumper wire configurations

Switch	Function	ON/Linked	OFF/Open
JM1	High ceiling	standard	High Ceiling 1
JM2 / JM3	Custom code	(See table 2)	
JM4	Auto restart	enable	disable
JM5 / JM6	Heating compensation	(See table 1)	

Table 1

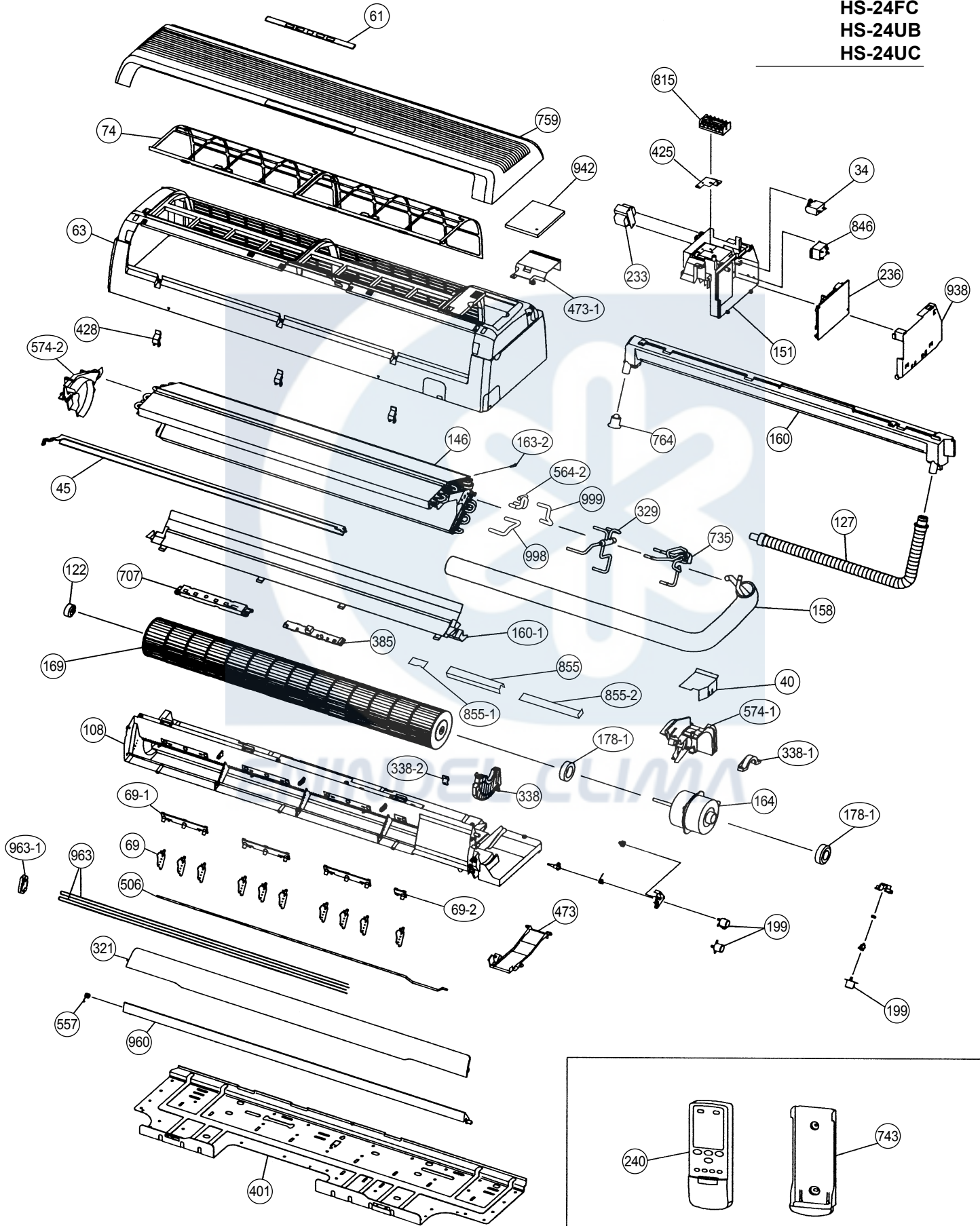
ON / ON	+4
ON / OFF	-2
OFF / ON	0
OFF / OFF	+2

Table 2

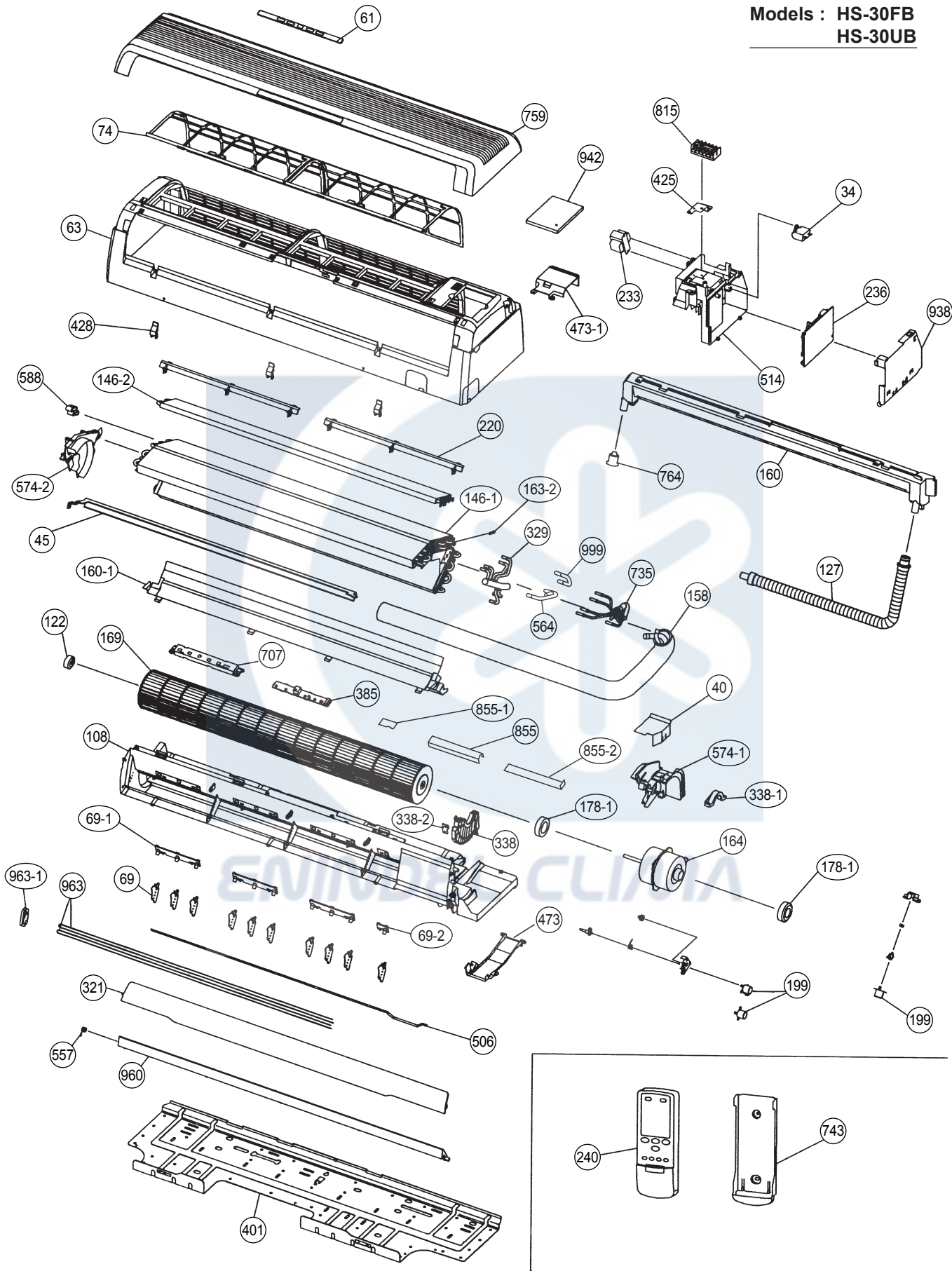
ON / ON	A
ON / OFF	B
OFF / ON	C
OFF / OFF	D

DISASSEMBLY ILLUSTRATION

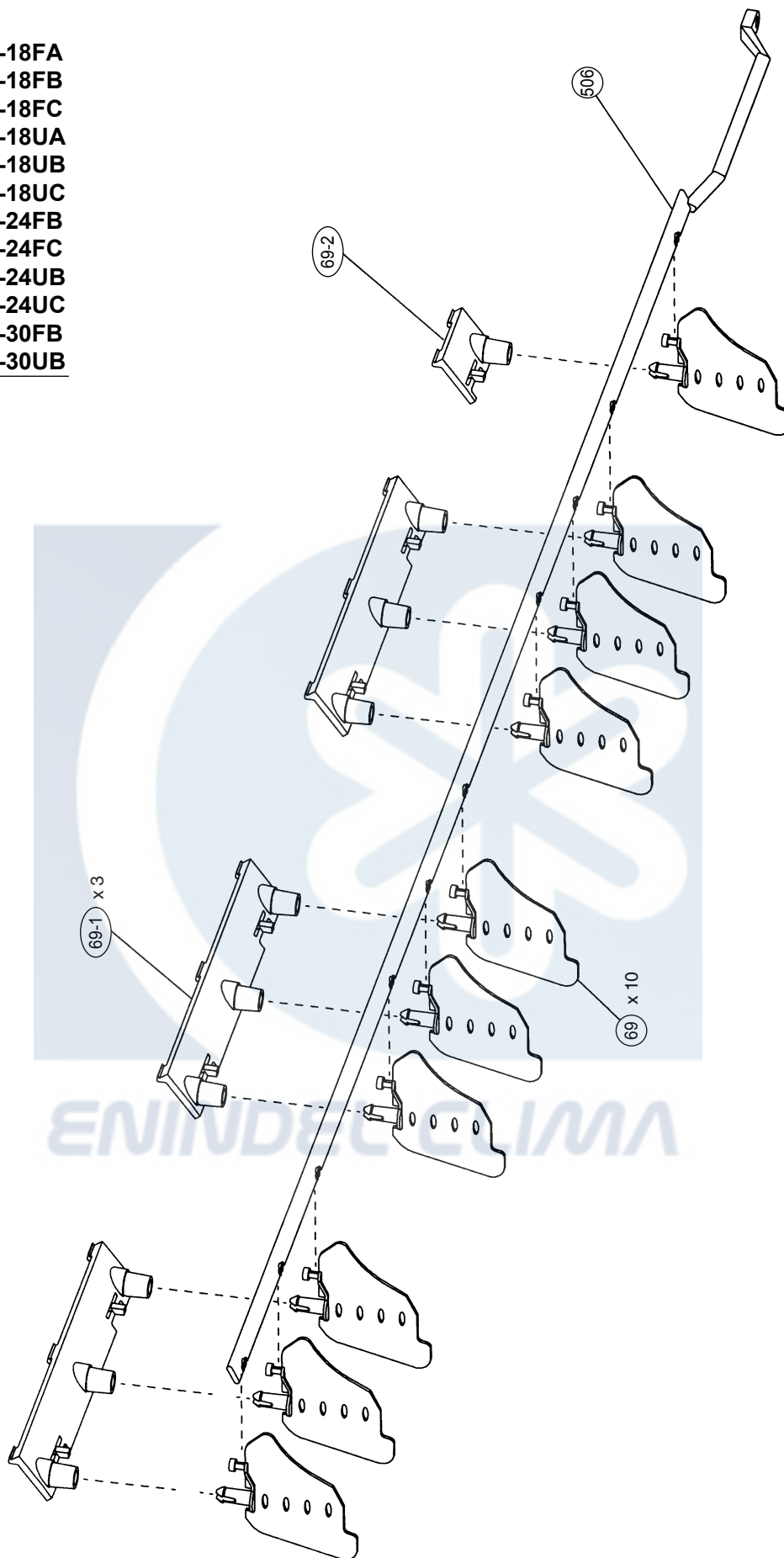
Models : HS-18FA
 HS-18FB
 HS-18FC
 HS-18UA
 HS-18UB
 HS-18UC
 HS-24FB
 HS-24FC
 HS-24UB
 HS-24UC



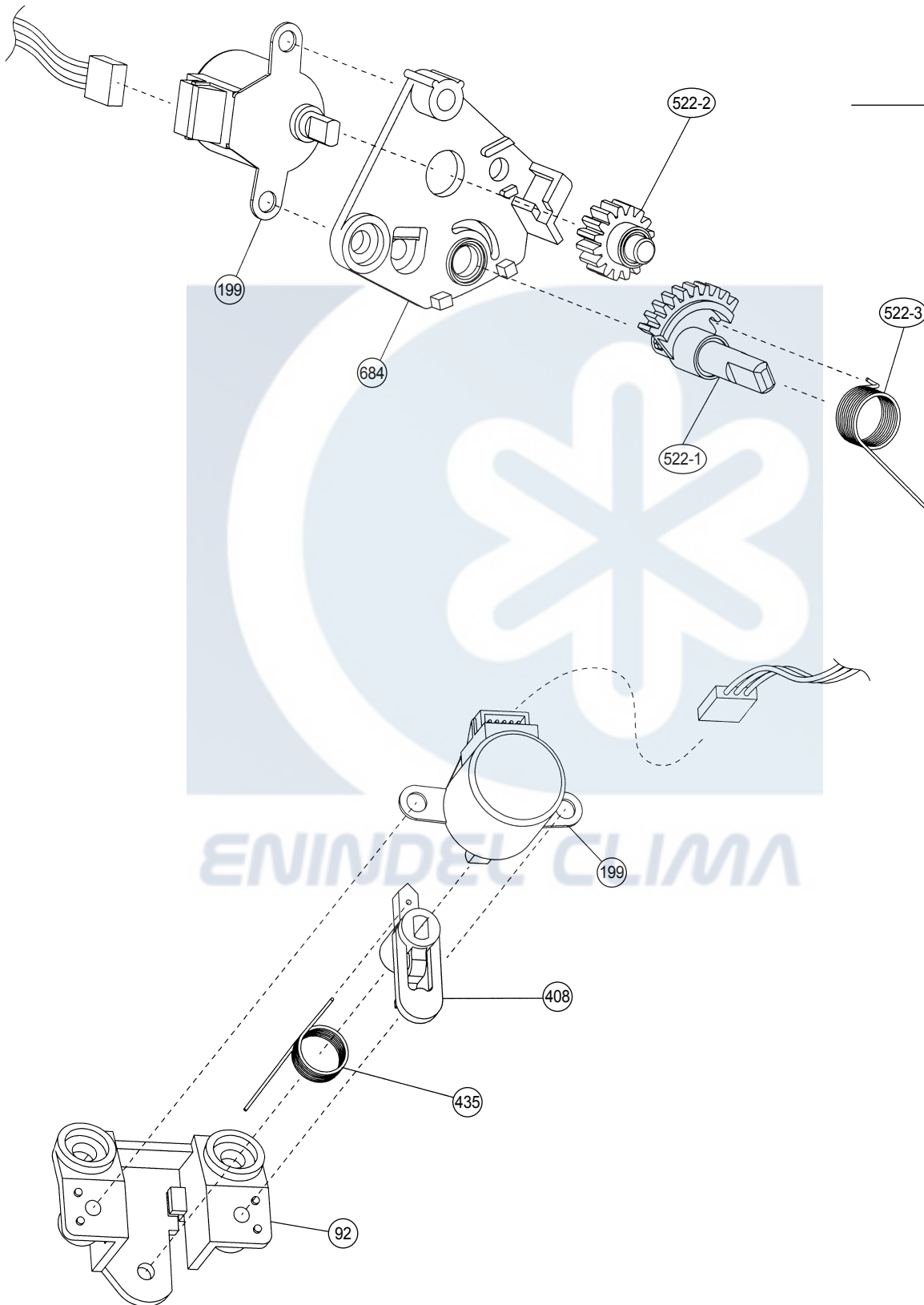
Models : HS-30FB
HS-30UB



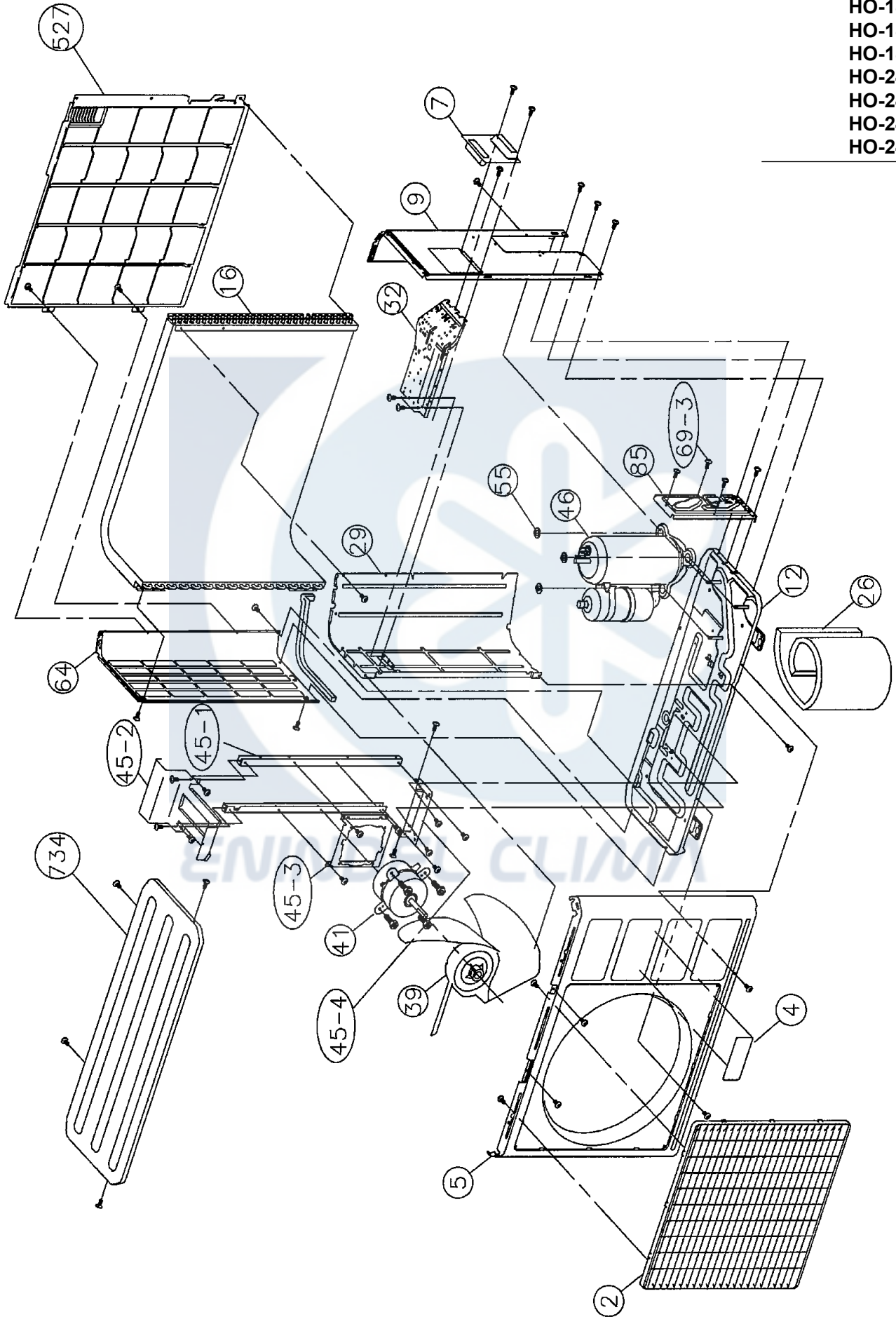
Models : HS-18FA
HS-18FB
HS-18FC
HS-18UA
HS-18UB
HS-18UC
HS-24FB
HS-24FC
HS-24UB
HS-24UC
HS-30FB
HS-30UB



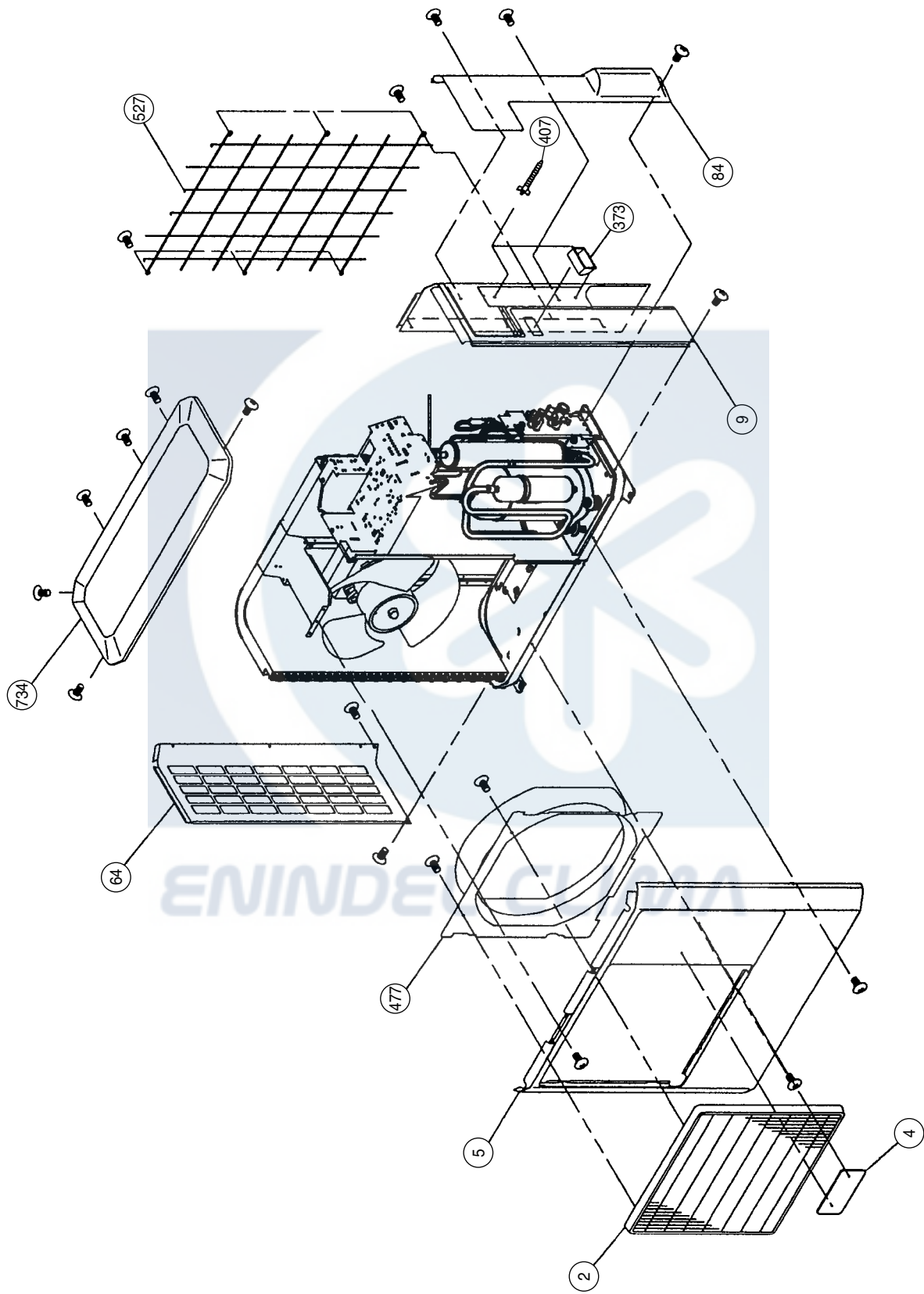
Models : HS-18FA
HS-18FB
HS-18FC
HS-18UA
HS-18UB
HS-18UC
HS-24FB
HS-24FC
HS-24UB
HS-24UC
HS-30FB
HS-30UB



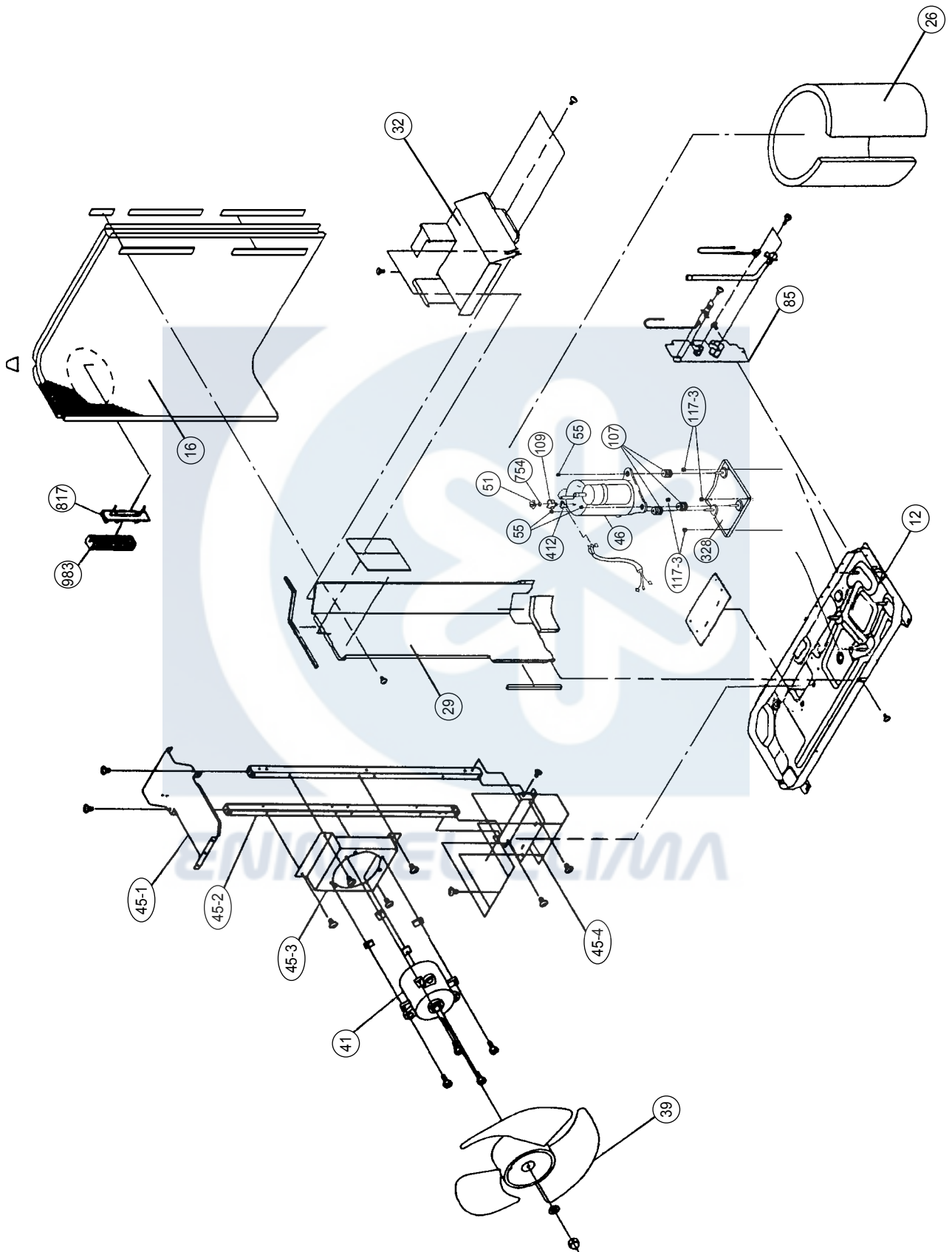
Models : HO-18FA
 HO-18FB
 HO-18FE
 HO-18UA
 HO-18UB
 HO-18UE
 HO-24FB
 HO-24FC
 HO-24UB
 HO-24UC



Models : HO-30FB
HO-30UB

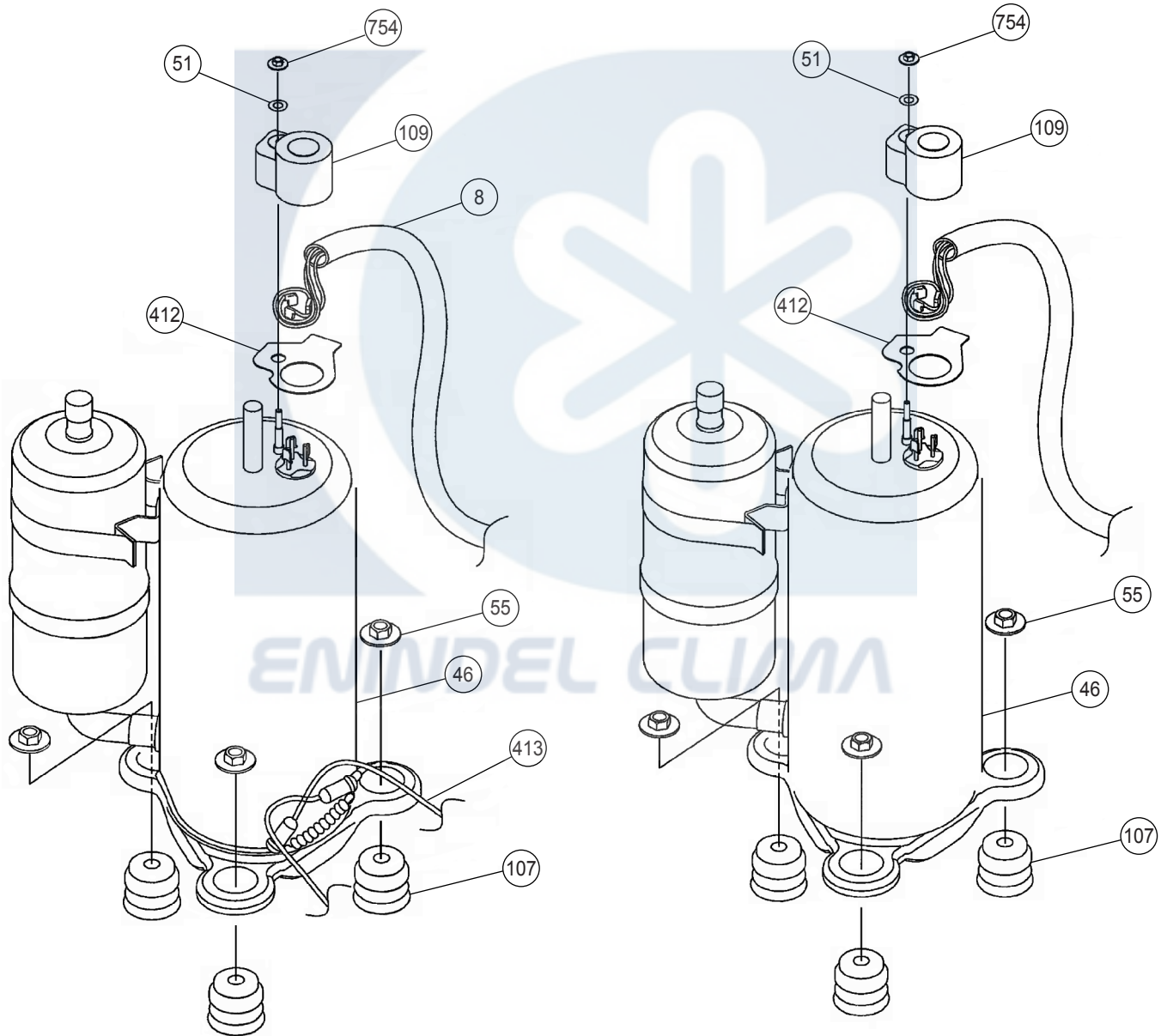


Models : HO-30FB
HO-30UB

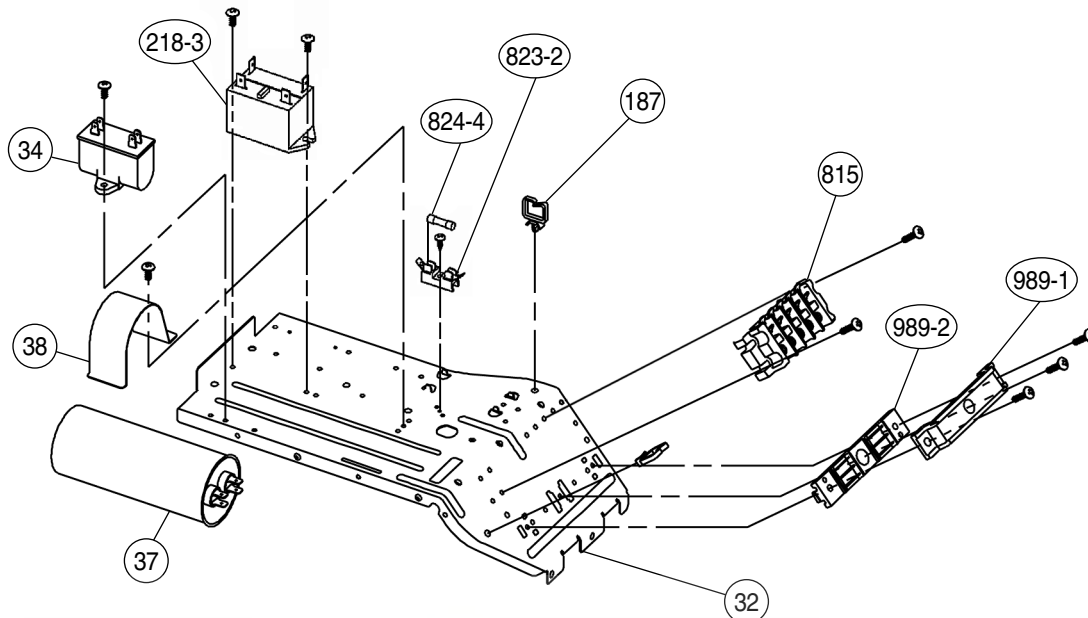


Models : HO-18FA
HO-18FB
HO-18FE
HO-18UB
HO-18UE
HO-24FB
HO-24FC
HO-24UB
HO-24UC
HO-30FB
HO-30UB

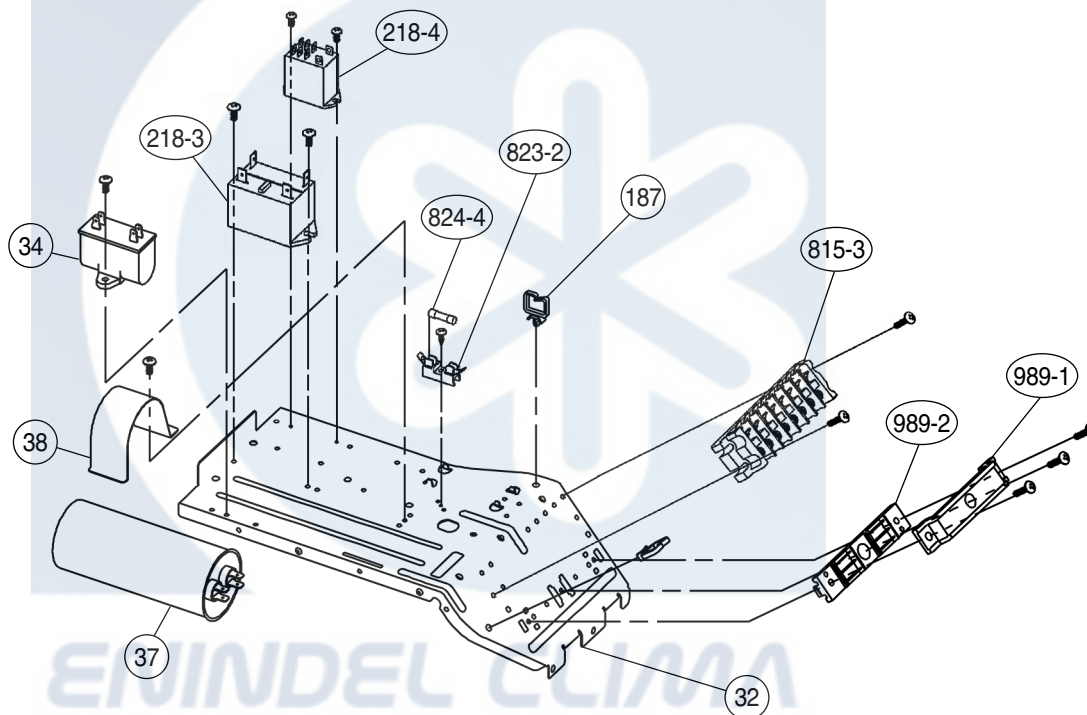
Model : HO-18UA



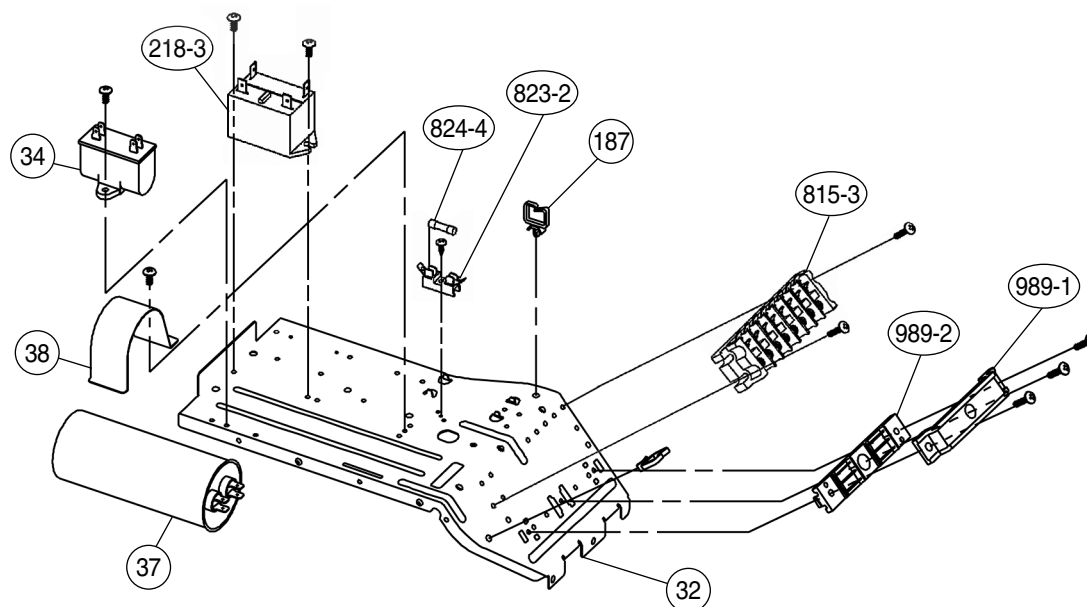
Models : HO-18FA
HO-18FB
HO-18FE
HO-24FB
HO-24FC



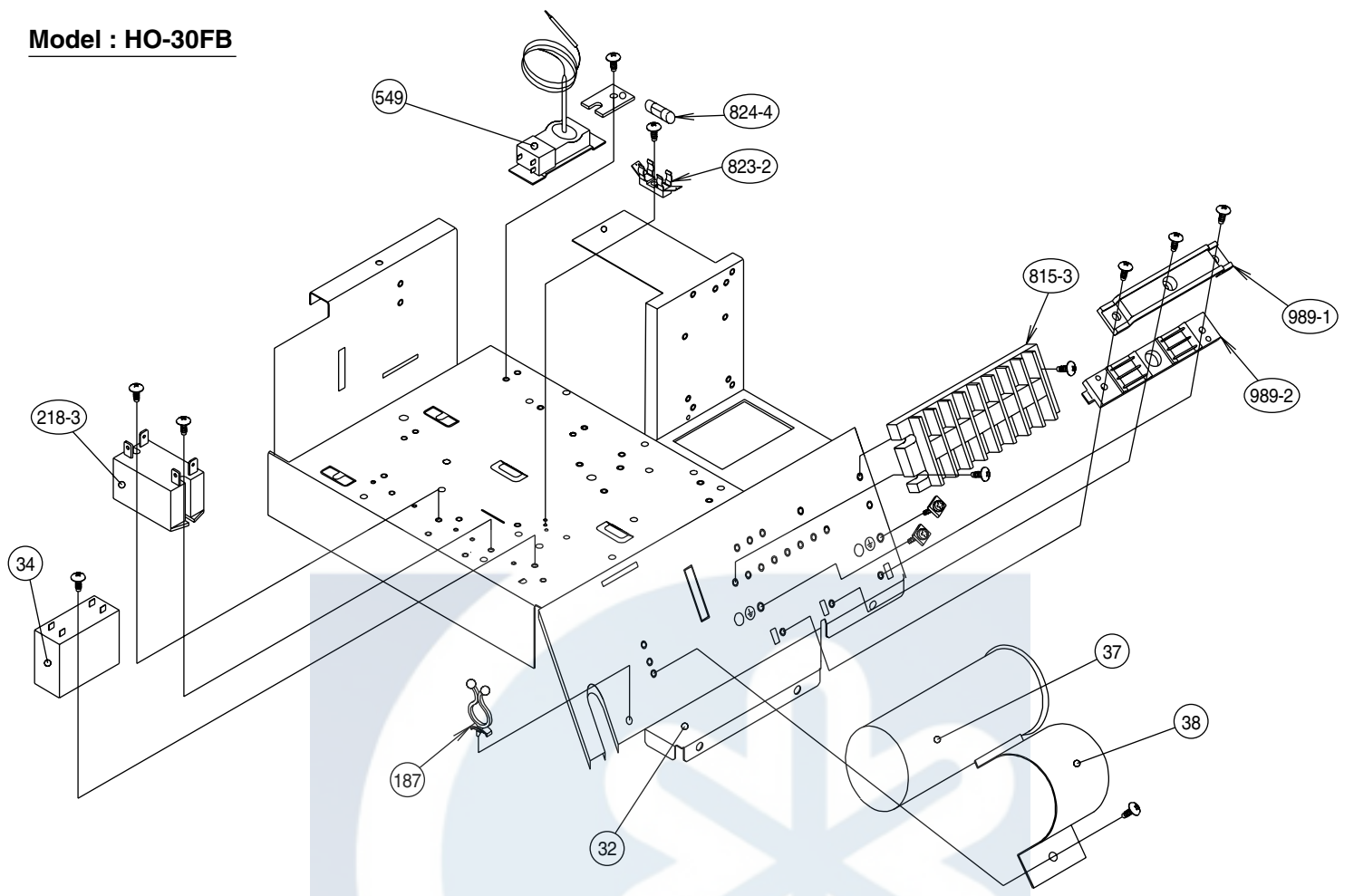
Model : HO-18UA



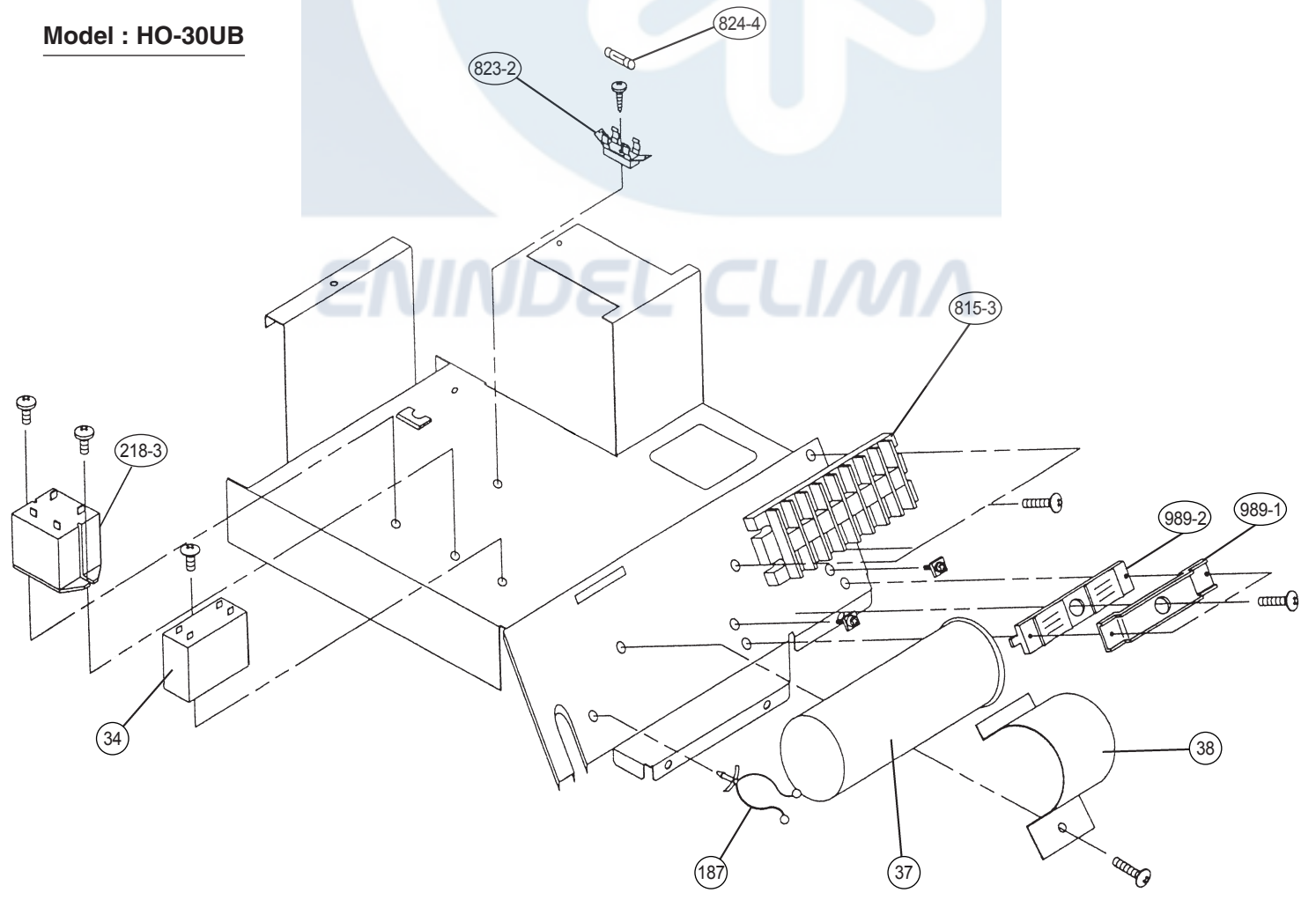
Model : HO-18UB
HO-18UE
HO-24UB
HO-24UC



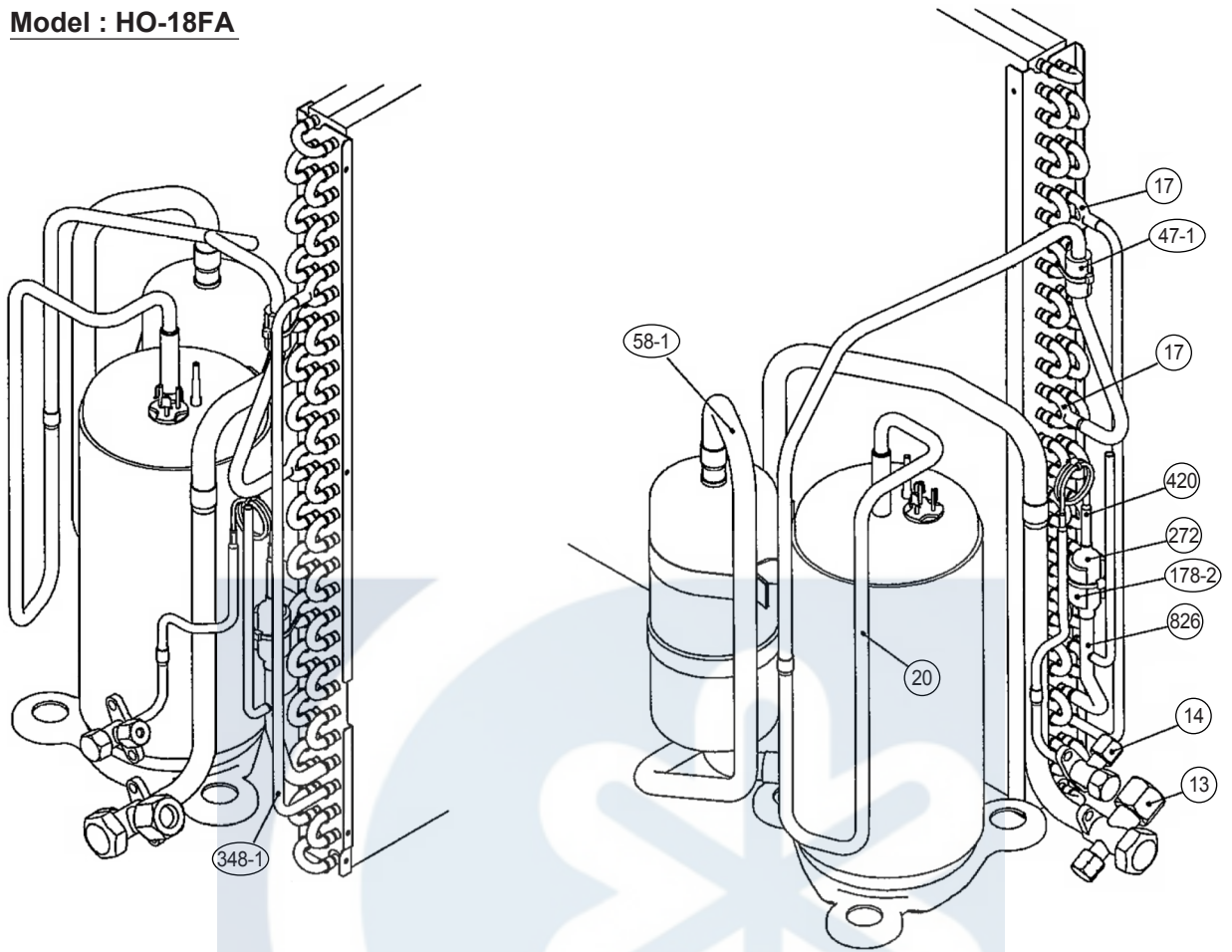
Model : HO-30FB



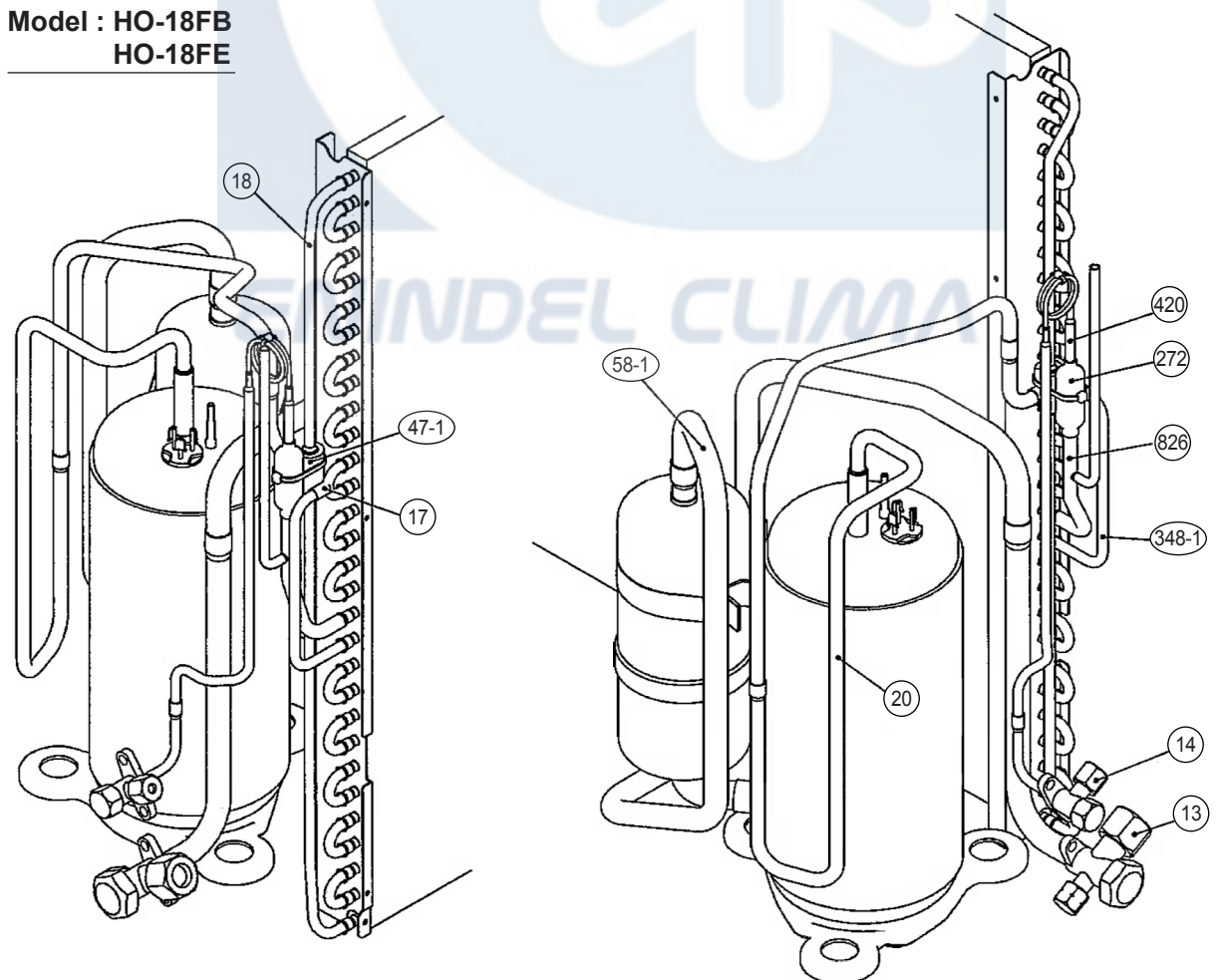
Model : HO-30UB



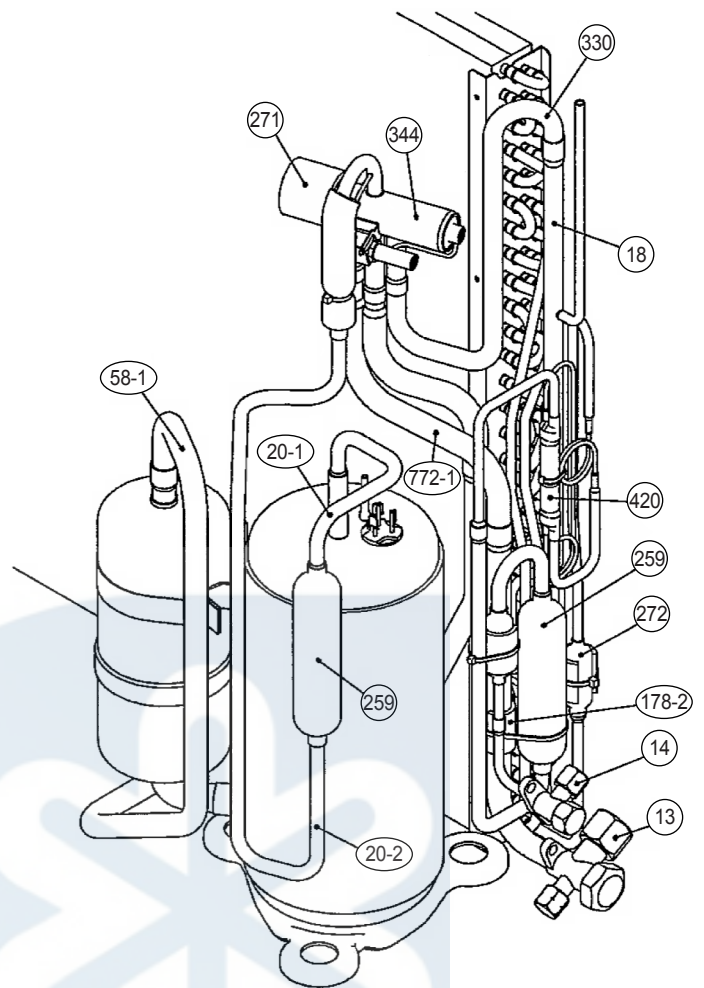
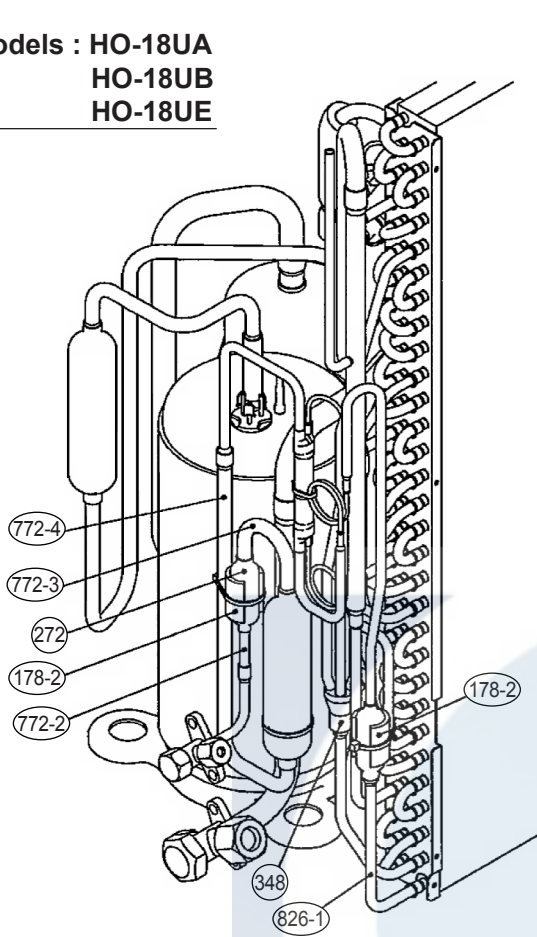
Model : HO-18FA



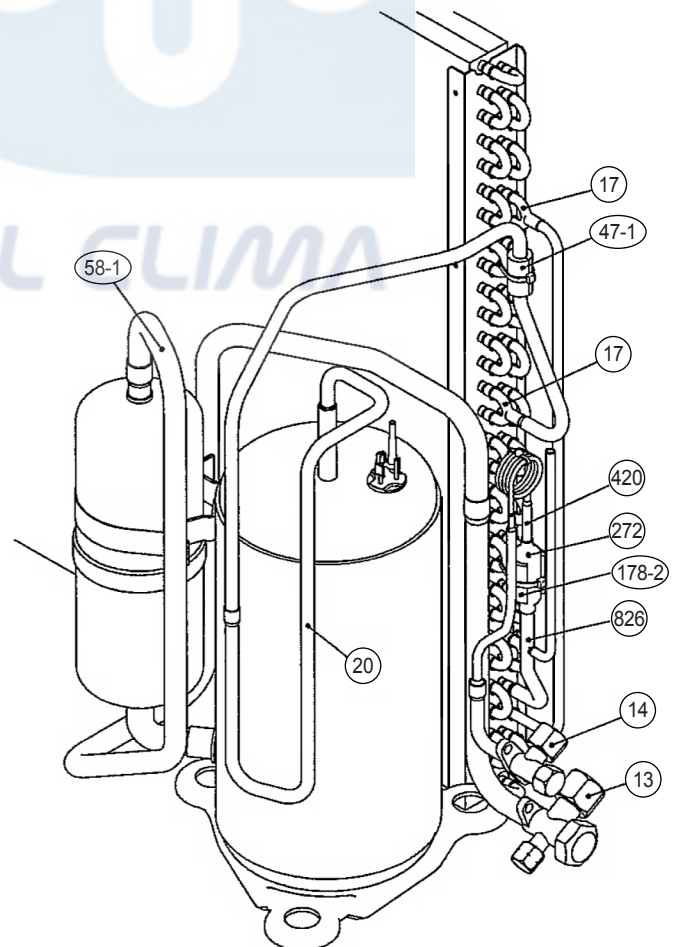
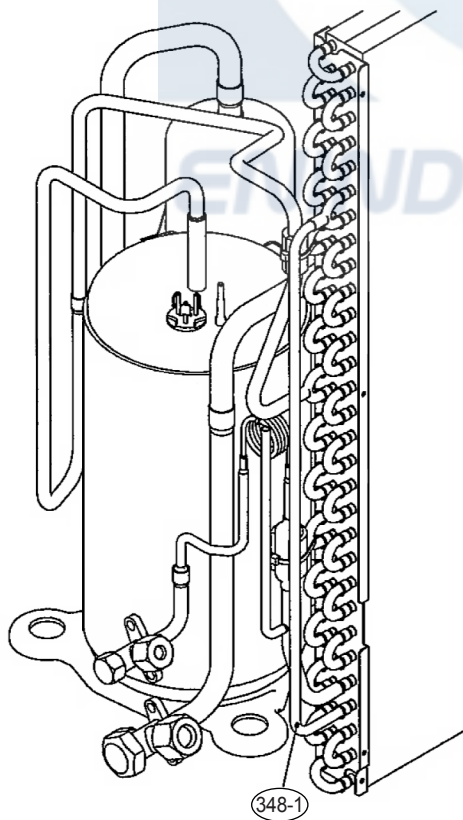
**Model : HO-18FB
HO-18FE**



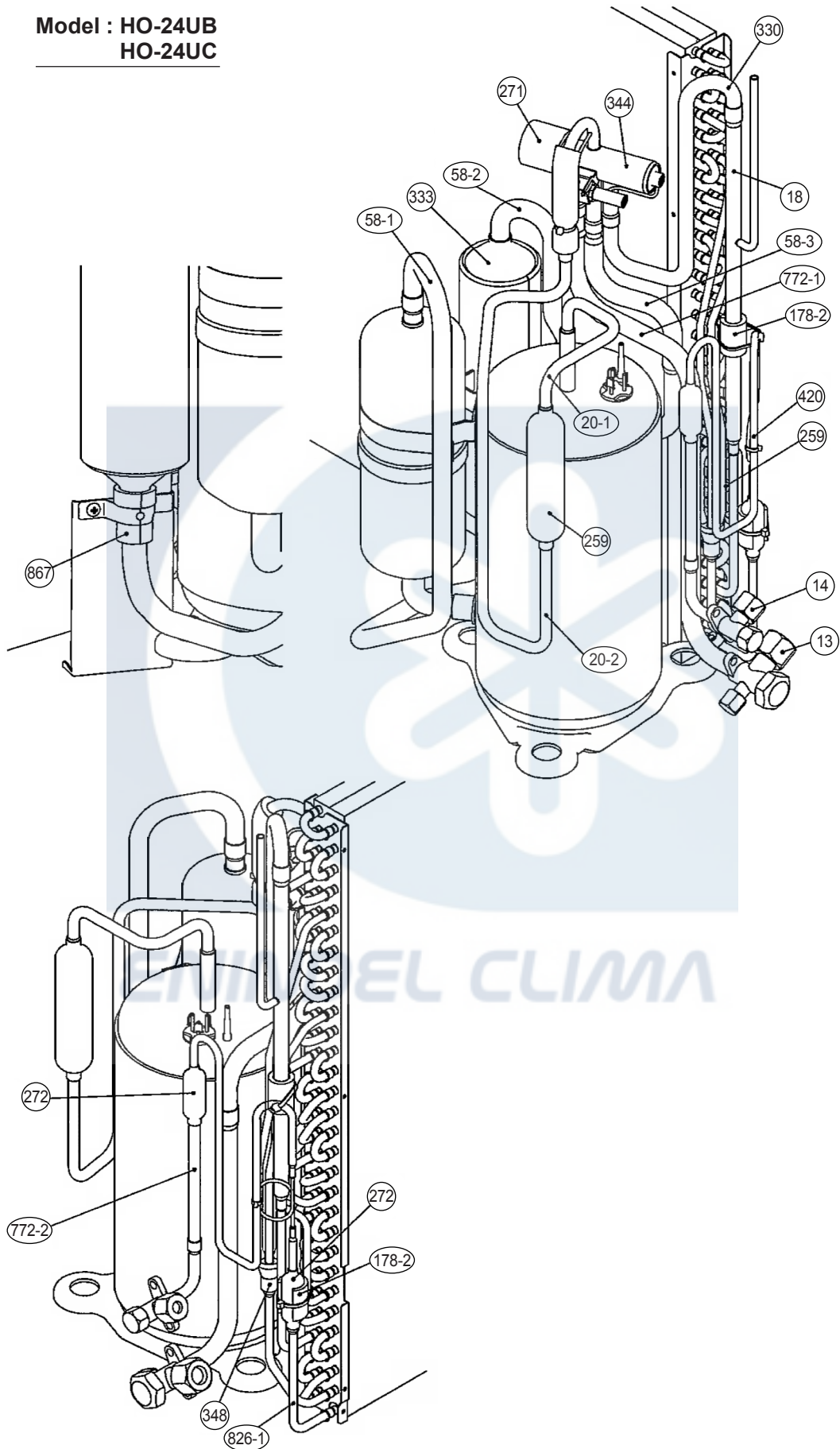
Models : HO-18UA
 HO-18UB
 HO-18UE



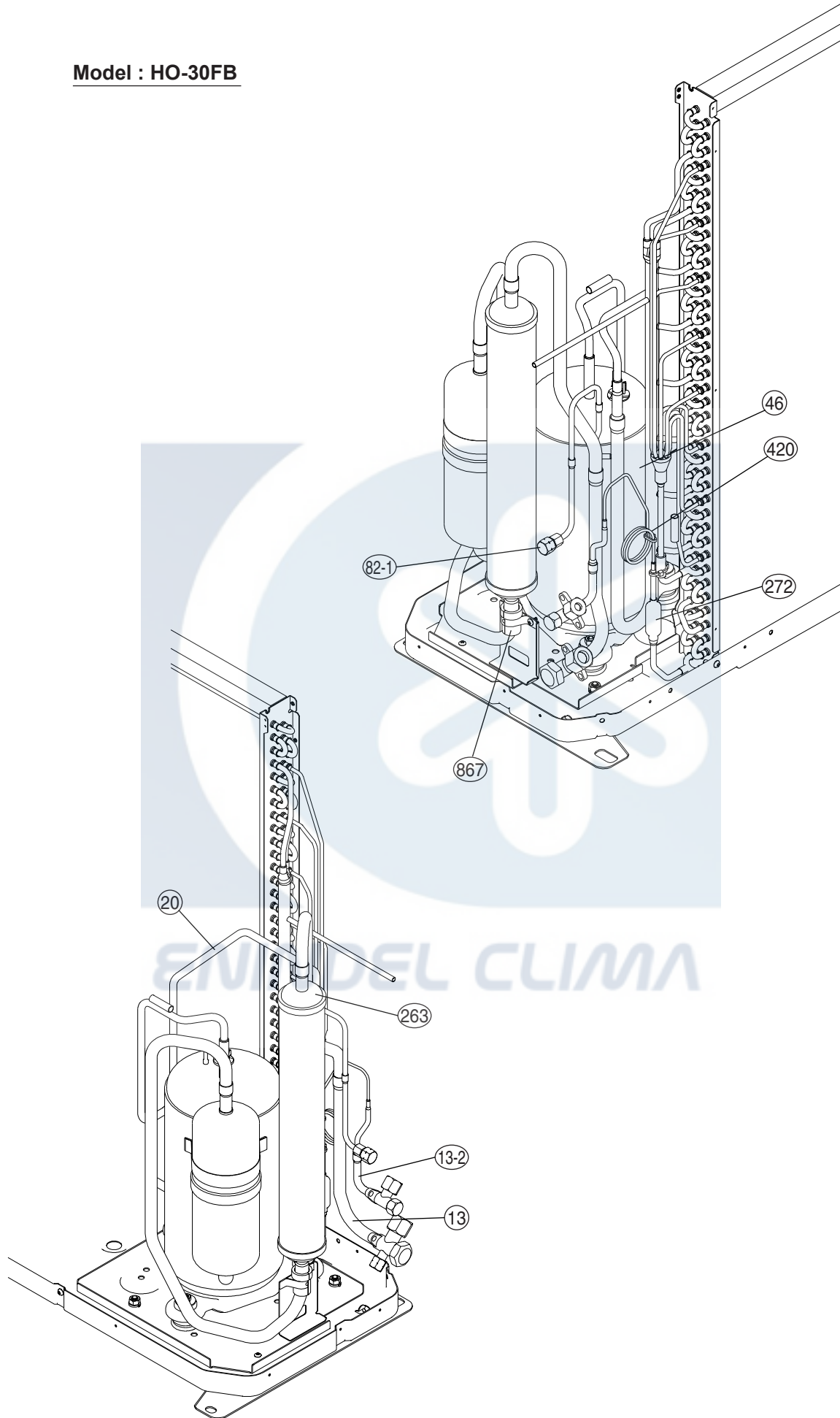
Model : HO-24FB
 HO-24FC



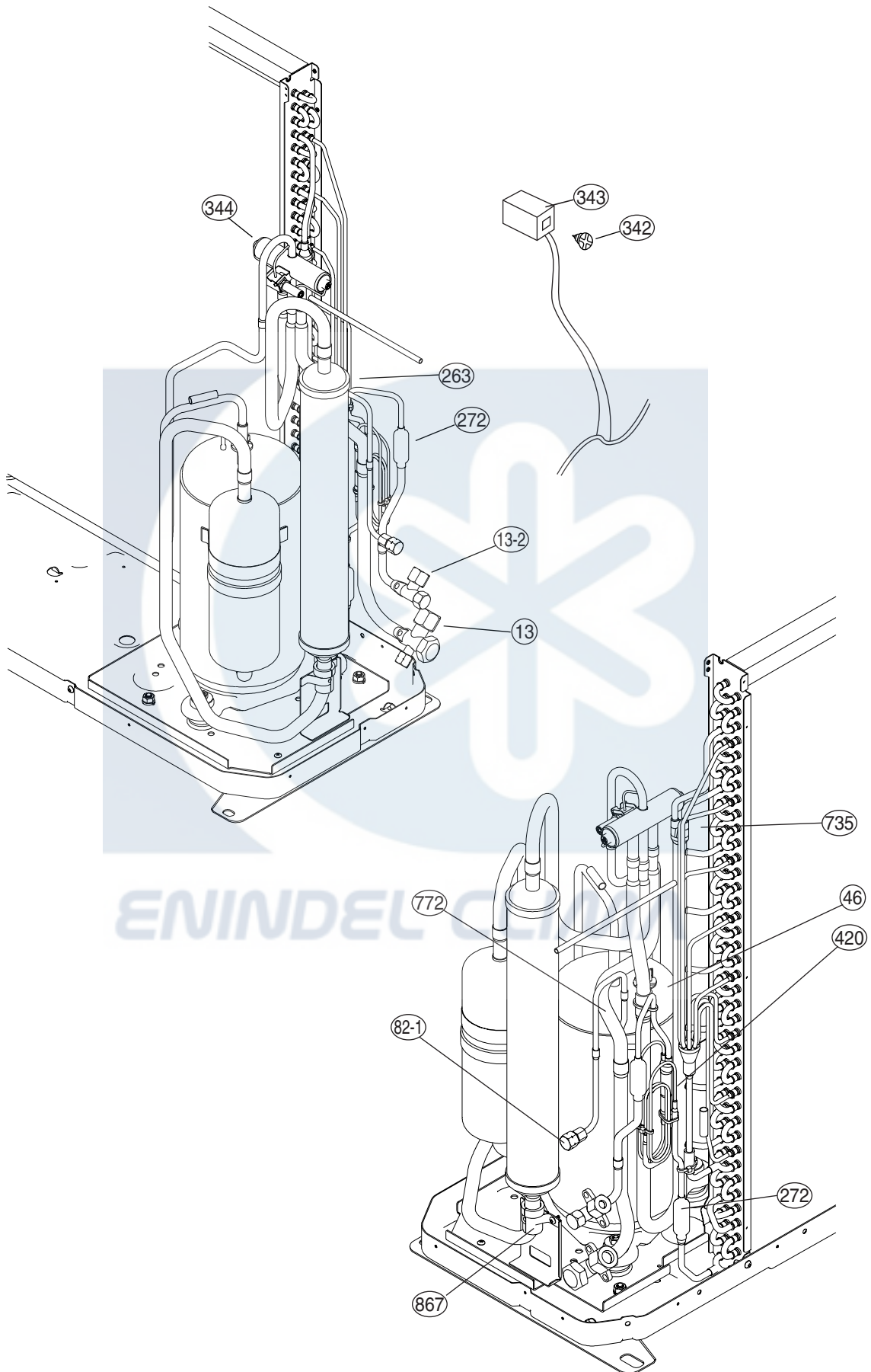
Model : HO-24UB
HO-24UC



Model : HO-30FB



Model : HO-30UB



PARTS LIST

INDOOR UNIT

Ref. No.	Description	Part No.		Ord. Q'ty	Ref. No.	Description	Part No.		Ord. Q'ty
		HS-18FA	HS-18FB HS-18FC				HS-18FA	HS-18FB HS-18FC	
34	Capacitor (Fan Motor)	9704305060	9704305060		473	Pipe Holder	9368565008	9368565008	
40	Water Seal Plate	9369684005	9369684005		473-1	Cord Holder	9368566005	9368566005	
45	Bracket (Eva.)	9369372001	9369372001		506	Louver Rod	9368561017	9368561017	
61	Decoration Plate-G Assy	9368756024	9368756024		514	Control Box	9368543006	9368543006	
63	Front Panel	9368540012	9368540012		522-1	Sector Gear	9368556006	9368556006	
69	Louver	9368560010	9368560010		522-2	Pinion Gear	9368557003	9368557003	
69-1	Louver Base-A	9368558017	9368558017		522-3	Flap Spring	9368612009	9368612009	
69-2	Louver Base-B	9368559014	9368559014		557	Diffuser Spring	9368587000	9368587000	
74	Air Filter	9368552008	9368552008						
92	Link Holder	9368563004	9368563004		564-2	Bypass Pipe-C Assy	9369479007	9369479007	
108	Base Assy	9369209017	9369209017		574-1	Evaporator Support-R	9368549008	9368549008	
122	Bearing Assy	9368574000	9368574000		574-2	Evaporator Support-L	9368548001	9368548001	
127	Drain Hose	9367695003	9367695003						
146	Evaporator-A Assy	9370869002	9370869002		684	Motor Base	9368555009	9368555009	
					707	Display Cover	9368564001	9368564001	
					735	Distributor	9371178004	9371178004	
158	Joint Pipe Assy	9369242007	9369242007		743	Remote Control Unit Holder Case	9305642014	9305642014	
160	Front Drain Pan	9368546007	9368546007		759	Intake Grill-G Assy	9368542047	9368542047	
160-1	Rear Drain Pan	9368547004	9368547004		764	Drain Cap	9367677009	9367677009	
163-2	Thermistor Spring-A	313728262708	313728262708		815	Terminal	9306489106	9306489106	
164	Fan Motor Assy-IN	9601388012	9601388012		846	Relay G5NB-1A	9900007010	9900007010	
169	Cross Flow Fan Assy	9368586003	9368586003		855	Cover Display	9369264016	9369264016	
178-1	Rubber (Motor)	9368575007	9368575007		855-1	Cover Display-B	9369594014	9369594014	
199	Step Motor	9900020019	9900020019		855-2	Cover Display-C	9369683015	9369683015	
233	Power Transformer	9900069018	9900069018		938	Control Box Cover-R	9368570002	9368570002	
236	Controller PCB Assy	9704804099	9703335068		942	Control Box Cover	9368611002	9368611002	
			9705831025		960	Diffuser	9369346019	9369346019	
			both is OK.		963	Fan Guard	9368588007	9368588007	
240	Remote Control Unit	9371190020	9371190020		963-1	Fan Guard Holder	9368554002	9368554002	
321	Flap	9368544010	9368544010		998	Bypass Pipe-A	9369238000	9369238000	
329	Coupling Pipe Assy	9369241000	9369241000		999	Bypass Pipe-B	9369239007	9369239007	
338	Motor Holder-A	9368550004	9368550004		---	Room Thermistor	9703299179	9703299179	
338-1	Motor Holder-B	9368551001	9368551001		---	Pipe Thermistor	9703297076	9703297076	
338-2	Motor Holder-C	9368769000	9368769000						
385	Indicator PCB Assy	9702307011	9702307011						
401	Wall Hook Bracket	9368579005	9368579005						
408	Louver Link	9368562007	9368562007						
425	Earth Plate	9368580001	9368580001						
428	Screw Cover	9368576011	9368576011						
435	Louver Spring	9368613006	9368613006						

INDOOR UNIT

Ref. No.	Description	Part No.	Ord. Q'ty	Ref. No.	Description	Part No.	Ord. Q'ty
		HS-24FB HS-24FC				HS-24FB HS-24FC	
34	Capacitor (Fan Motor)	9704305060		473	Pipe Holder	9368565008	
40	Water Seal Plate	9369684005		473-1	Cord Holder	9368566005	
45	Bracket (Eva.)	9369372001		506	Louver Rod	9368561017	
61	Decoration Plate-G Assy	9368756024		514	Control Box	9368543006	
63	Front Panel	9368540012		522-1	Sector Gear	9368556006	
69	Louver	9368560010		522-2	Pinion Gear	9368557003	
69-1	Louver Base-A	9368558017		522-3	Flap Spring	9368612009	
69-2	Louver Base-B	9368559014		557	Diffuser Spring	9368587000	
74	Air Filter	9368552008		564	Bypass Pipe-A Assy	9369551000	
92	Link Holder	9368563004					
108	Base Assy	9369209017		574-1	Evaporator Support-R	9368549008	
122	Bearing Assy	9368574000		574-2	Evaporator Support-L	9368548001	
127	Drain Hose	9367695003		588	Evaporator Holder	9368775001	
146-1	Evaporator-A Assy	9369366000		684	Motor Base	9368555009	
146-2	Evaporator-B Assy	9369373008		707	Display Cover	9368564001	
158	Joint Pipe Assy	9369371004		735	Distributor	9371325019	
160	Front Drain Pan	9368546007		743	Remote Control Unit Holder Case	9305642014	
160-1	Rear Drain Pan	9368547004		759	Intake Grill-G Assy	9368542047	
163-2	Thermistor Spring-A	313728262708		764	Drain Cap	9367677009	
164	Fan Motor Assy-IN	9601388012		815	Terminal	9306489106	
169	Cross Flow Fan Assy	9368586003		846	Relay G5NB-1A	9900007010	
178-1	Rubber (Motor)	9368575007		855	Cover Display	9369264016	
199	Step Motor	9900020019		855-1	Cover Display-B	9369594014	
233	Power Transformer	9900069018		855-2	Cover Display-C	9369683015	
236	Controller PCB Assy	9704804105		938	Control Box Cover-R	9368570002	
		9705833029		942	Control Box Cover	9368611002	
		both is OK.		960	Diffuser	9369346019	
240	Remote Control Unit	9371190020		963	Fan Guard	9368588007	
321	Flap	9368544010		963-1	Fan Guard Holder	9368554002	
329	Coupling Pipe Assy	9369370007		999	Bypass Pipe-B	9369368004	
338	Motor Holder-A	9368550004		---	Room Thermistor	9703299179	
338-1	Motor Holder-B	9368551001		---	Pipe Thermistor	9703297076	
338-2	Motor Holder-C	9368769000					
385	Indicator PCB Assy	9702307011					
401	Wall Hook Bracket	9368579005					
408	Louver Link	9368562007					
425	Earth Plate	9368580001					
428	Screw Cover	9368576011					
435	Louver Spring	9368613006					

INDOOR UNIT

Ref. No.	Description	Part No.		Ord. Q'ty	Ref. No.	Description	Part No.		Ord. Q'ty
		HS-18UA	HS-18UB HS-18UC				HS-18UA	HS-18UB HS-18UC	
34	Capacitor (Fan Motor)	9704305060	9704305060		385	Indicator PCB Assy	9702307011	9702307011	
40	Water Seal Plate	9369684005	9369684005		401	Wall Hook Bracket	9368579005	9368579005	
45	Bracket (Evaporator)	9369372001	9369372001		408	Louver Link	9368562007	9368562007	
61	Decoration Plate-G	9368756024	9368756024		425	Earth Plate	9368580001	9368580001	
63	Front Panel	9368540012	9368540012		428	Screw Cover	9368576011	9368576011	
69	Louver	9368560010	9368560010		435	Louver Spring	9368613006	9368613006	
69-1	Louver Base-A	9368558017	9368558017		473	Pipe Holder	9368565008	9368565008	
69-2	Louver Base-B	9368559014	9368559014		473-1	Cord Holder	9368566005	9368566005	
74	Air Filter	9368552008	9368552008		506	Louver Rod	9368561017	9368561017	
92	Link Holder	9368563004	9368563004		514	Control Box	9368543006	9368543006	
108	Base Assy	9369209017	9369209017		522-1	Sector Gear	9368556006	9368556006	
122	Bearing Assy	9368574000	9368574000		522-2	Pinion Gear	9368557003	9368557003	
127	Drain Hose	9367695003	9367695003		522-3	Flap Spring	9368612009	9368612009	
146	Evaporator Assy	9370869002	9370869002		557	Diffuser Spring	9368587000	9368587000	
158	Joint Pipe Assy	9372590027	9372590027		564-2	Bypass Pipe-C Assy	9369479007	9369479007	
160	Front Drain Pan	9368546007	9368546007		574-1	Evaporator Support-R	9368549008	9368549008	
160-1	Rear Drain Pan	9368547004	9368547004		574-2	Evaporator Support-L	9368548001	9368548001	
163-2	Thermistor Spring-A	313728262708	313728262708		684	Motor Base	9368555009	9368555009	
164	Fan Motor Assy-IN	9601388012	9601388012		707	Display Cover	9368564001	9368564001	
169	Cross Flow Fan Assy	9368586003	9368586003		735	Distributor Assy	9371178004	9371178004	
178-1	Rubber (Motor)	9368575007	9368575007		743	Remote Control Unit Holder Case	9305642014	9305642014	
199	Step Motor	9900020019	9900020019		759	Intake Grill-G	9368542047	9368542047	
233	Power Transformer	9900069018	9900069018		764	Drain Cap	9367677009	9367677009	
236	Controller PCB Assy	9704804075	9703335228 9705831018 both is OK.		815	Terminal	9900016029	9900016029	
240	Remote Control Unit	9374322015	9374322015		855	Cover Display	9369264016	9369264016	
321	Flap	9368544010	9368544010		855-1	Cover Display-B	9369594014	9369594014	
329	Coupling Pipe Assy	9369241000	9369241000		855-2	Cover Display-C	9369683015	9369683015	
338	Motor Holder-A	9368550004	9368550004		938	Control Box Cover-R	9368570002	9368570002	
338-1	Motor Holder-B	9368551001	9368551001		942	Control Box Cover	9368611002	9368611002	
338-2	Motor Holder-C	9368769000	9368769000		960	Diffuser Assy	9369346019	9369346019	
					963	Fan Guard	9368588007	9368588007	
					963-1	Fan Guard Holder	9368554002	9368554002	
					---	Room Thermistor	9703299179	9703299179	
					---	Pipe Thermistor	9703297076	9703297076	

INDOOR UNIT

Ref. No.	Description	Part No.	Ord. Q'ty	Ref. No.	Description	Part No.	Ord. Q'ty
		HS-24UB HS-24UC				HS-24UB HS-24UC	
34	Capacitor (Fan Motor)	9704305060		385	Indicator PCB Assy	9702307011	
40	Water Seal Plate	9369684005		401	Wall Hook Bracket	9368579005	
45	Bracket (Evaporator)	9369372001		408	Louver Link	9368562007	
61	Decoration Plate-G	9368756024		425	Earth Plate	9368580001	
63	Front Panel	9368540012		428	Screw Cover	9368576011	
69	Louver	9368560010		435	Louver Spring	9368613006	
69-1	Louver Base-A	9368558017		473	Pipe Holder	9368565008	
69-2	Louver Base-B	9368559014		473-1	Cord Holder	9368566005	
74	Air Filter	9368552008		506	Louver Rod	9368561017	
92	Link Holder	9368563004		514	Control Box	9368543006	
108	Base Assy	9369209017		522-1	Sector Gear	9368556006	
122	Bearing Assy	9368574000		522-2	Pinion Gear	9368557003	
127	Drain Hose	9367695003		522-3	Flap Spring	9368612009	
146	Evaporator Assy	9370869002		557	Diffuser Spring	9368587000	
158	Joint Pipe Assy	9369242007		564-2	Bypass Pipe-C Assy	9369479007	
160	Front Drain Pan	9368546007		574-1	Evaporator Support-R	9368549008	
160-1	Rear Drain Pan	9368547004		574-2	Evaporator Support-L	9368548001	
163-2	Thermistor Spring-A	313728262708		684	Motor Base	9368555009	
164	Fan Motor Assy-IN	9601388012		707	Display Cover	9368564001	
169	Cross Flow Fan Assy	9368586003		735	Distributor Assy	9371178004	
178-1	Rubber (Motor)	9368575007		743	Remote Control Unit Holder Case	9305642014	
199	Step Motor	9900020019		759	Intake Grill-G	9368542047	
233	Power Transformer	9900069018		764	Drain Cap	9367677009	
236	Controller PCB Assy	9704804082 9705833012 both is OK.		815	Terminal	9900016029	
240	Remote Control Unit	9374322015		855	Cover Display	9369264016	
321	Flap	9368544010		855-1	Cover Display-B	9369594014	
329	Coupling Pipe Assy	9369241000		855-2	Cover Display-C	9369683015	
338	Motor Holder-A	9368550004		938	Control Box Cover-R	9368570002	
338-1	Motor Holder-B	9368551001		942	Control Box Cover	9368611002	
338-2	Motor Holder-C	9368769000		960	Diffuser Assy	9369346019	
				963	Fan Guard	9368588007	
				963-1	Fan Guard Holder	9368554002	
				---	Room Thermistor	9703299179	
				---	Pipe Thermistor	9703297076	

INDOOR UNIT

When you order parts, please make a photocopy of this page and fill the number of the parts in the "Order" column.

Ref. No.	Description	Part No.	Ord. Q'ty	Ref. No.	Description	Part No.	Ord. Q'ty
		HS-30FB				HS-30FB	
34	Capacitor (Fan Motor)	9704305060		338-1	Motor Holder-B	9368551001	
40	Water Seal Plate	9369684005		338-2	Motor Holder-C	9368769000	
45	Bracket (Eva.)	9369372001		385	Indicator PCB Assy	9702307011	
61	Decoration Plate-G Assy	9368756024		401	Wall Hook Bracket	9368579005	
63	Front Panel	9368540012		408	Louver Link	9368562007	
69	Louver	9368560010		425	Earth Plate	9368580001	
69-1	Louver Base-A	9368558017		428	Screw Cover	9368576011	
69-2	Louver Base-B	9368559014		435	Louver Spring	9368613006	
74	Air Filter	9368552008		473	Pipe Holder	9368565008	
92	Link Holder	9368563004		473-1	Cord Holder	9368566005	
108	Base Assy	9369209017		506	Louver Rod	9368561017	
122	Bearing Assy	9368574000		514	Control Box	9368543006	
127	Drain Hose	9367695003		522-1	Sector Gear	9368556006	
146-1	Evaporator-A Assy	9369366000		522-2	Pinion Gear	9368557003	
146-2	Evaporator-B Assy	9369373008		522-3	Flap Spring	9368612009	
158	Joint Pipe Assy	9369371004		557	Diffuser Spring	9368587000	
160	Front Drain Pan	9368546007		564	Bypass Pipe-A Assy	9369551000	
160-1	Rear Drain Pan	9368547004		574-1	Evaporator Support-R	9368549008	
163-2	Thermistor Spring-A	313728262708		574-2	Evaporator Support-L	9368548001	
164	Fan Motor Assy-IN	9601388012		588	Evaporator Holder	9368775001	
169	Cross Flow Fan Assy	9368586003		684	Motor Base	9368555009	
178-1	Rubber (Motor)	9368575007		707	Display Cover	9368564001	
199	Step Motor	9900020019		735	Distributor	9371325019	
220	Water Plate	9368569006		743	Remote Control Unit Holder Case	9305642014	
233	Power Transformer	9900069018		759	Intake Grill-G Assy	9368542047	
236	Controller PCB Assy	9703335105		764	Drain Cap	9367677009	
240	Remote Control Unit	9371190020		815	Terminal	9306489106	
321	Flap	9368544010		855	Cover Display	9369264016	
329	Coupling Pipe Assy	9369370007		855-1	Cover Display-B	9369594014	
338	Motor Holder-A	9368550004		855-2	Cover Display-C	9369683015	
				938	Control Box Cover-R	9368570002	
				942	Control Box Cover	9368611002	
				960	Diffuser	9369346019	
				963	Fan Guard	9368588007	
				963-1	Fan Guard Holder	9368554002	
				999	Bypass Pipe-B	9369368004	
				---	Room Thermistor	9703299179	
				---	Pipe Thermistor	9703297076	

INDOOR UNIT

When you order parts, please make a photocopy of this page and fill the number of the parts in the "Order" column.

Ref. No.	Description	Part No.	Ord. Q'ty	Ref. No.	Description	Part No.	Ord. Q'ty
		HS-30UB				HS-30UB	
34	Capacitor (Fan Motor)	9704305060		338-1	Motor Holder-B	9368551001	
40	Water Seal Plate	9369684005		338-2	Motor Holder-C	9368769000	
45	Bracket (Evaporator)	9369372001		385	Indicator PCB Assy	9702307011	
61	Decoration Plate-G	9368756024		401	Wall Hook Bracket	9368579005	
63	Front Panel (ASY)	9368540012		408	Louver Link	9368562007	
69	Louver	9368560010		425	Earth Plate	9368580001	
69-1	Louver Base-A	9368558017		428	Screw Cover	9368576011	
69-2	Louver Base-B	9368559014		435	Louver Spring	9368613006	
74	Air Filter	9368552008		473	Pipe Holder	9368565008	
				473-1	Cord Holder	9368566005	
92	Link Holder	9368563004		506	Louver Rod	9368561017	
108	Base Assy	9369209017		514	Control Box	9368543006	
122	Bearing Assy	9368574000		522-1	Sector Gear	9368556006	
127	Drain Hose	9367695003		522-2	Pinion Gear	9368557003	
146-1	Evaporator-A Assy	9371347011		522-3	Flap Spring	9368612009	
146-2	Evaporator-B Assy	9371348018		557	Diffuser Spring	9368587000	
158	Joint Pipe Assy	9371341019		564	Bypass Pipe-A Assy	9369551000	
160	Front Drain Pan	9368546007		574-1	Evaporator Support-R	9368549008	
160-1	Rear Drain Pan	9368547004		574-2	Evaporator Support-L	9368548001	
163-2	Thermistor Spring-A	313728262708		588	Evaporator Holder	9368775001	
164	Fan Motor Assy-IN	9601388012		684	Motor Base	9368555009	
169	Cross Flow Fan Assy	9368586003		707	Display Cover	9368564001	
178-1	Rubber (Motor)	9368575007		735	Distributor	9371325019	
199	Step Motor	9900020019		743	Remote Control Unit Holder Case	9305642014	
233	Power Transformer	9900069018		759	Intake Grill-G	9368542047	
236	Controller PCB Assy	9703335099		764	Drain Cap	9367677009	
240	Remote Control Unit	9374322015		815	Terminal	9900016029	
321	Flap	9368544010		855	Cover Display	9369264016	
329	Coupling Pipe Assy	9371333014		855-1	Cover Display-B	9369594014	
338	Motor Holder-A	9368550004		855-2	Cover Display-C	9369683015	
				938	Control Box Cover-R	9368570002	
				942	Control Box Cover	9368611002	
				960	Diffuser Assy	9369346019	
				963	Fan Guard	9368588007	
				963-1	Fan Guard Holder	9368554002	
				---	Room Thermistor	9703299179	
				---	Pipe Thermistor	9703297076	

OUTDOOR UNIT

Ref. No.	Description	Part No.			Ord. Q'ty
		HO-18FA	HO-18FB HO-18FE	HO-24FB HO-24FC	
2	Fan Guard	9371187013	9371187013	9371187013	
4	Emblem-Rear	9359546009	9359546009	9359546009	
5	Front Panel Ptd	9371924014	9371924014	9371924014	
7	Connector Cover (Cabinet)	9366398004	9366398004	9366398004	
8	Wire Assy (Comp)	9372334010	9372334010	9372334010	
9	Side Panel R Ptd	9371927015	9371927015	9371927015	
12	Base Assy, Ptd	9371920054	9371920054	9371920016	
13-1	3-Way Valve Assy	9372205013	9372205013	9372205013	
13-2	2-Way Valve Assy	9372204016	9372204016	9372204023	
16	Condenser Assy	9372181027	9372181041	9372181027	
26	Compressor Cover	9372327012	9372327012	9372327012	
29	Separate Wall	9371933016	9371933016	9371933016	
32	Control Box	9371935010	9371935010	9371935010	
34	Capacitor, Plastic	9900130022	9900130022	9900130022	
37	Running Capacitor	9703107122	9703107122	9703107023	
38	Capacitor Clamp Metal	9351770013	9351770013	313791061807	
39	Propeller Fan Assy	9366378013	9366378013	9366378013	
41	Motor Induct	9601671022	9601671022	9601671022	
45-1	Motor Bracket	9371929019	9371929019	9371929019	
45-2	Motor Bracket-Top	9371931012	9371931012	9371931012	
45-3	Motor Bracket Center	9371930015	9371930015	9371930015	
45-4	Motor Bracket Bottom	9371932019	9371932019	9371932019	
46	Compressor Assy	9372333013	9372558027	9372558010	
47-1	Rubber (Discharge Pipe)	313194159807	313194159807	313194159807	
51	Special Nut M5	9300301015	9300301015	9300301015	
55	Special Nut M8	9355091008	9355091008	9355091008	
64	Side Panel L Ptd	9371926018	9371926018	9371926018	
69-3	Bolt, Hex. Socket	301210060360	301210060360	301210060360	
85	Valve Plate Ptd	9371928012	9371928012	9371928012	
107	Rubber Seat-A	9351049010	9351049010	9351049010	
109	Terminal Cover (Comp)	9371511016	9371511016	9371511016	
187	Clip (Cable)	9352715006	9352715006	9352715006	
218-3	Relay	9900074012	9900074012	9900074012	
272	Strainer	9369287008	9369287008	9369287008	
412	Cover Gasket (Comp.)	9371512013	9371512013	9371512013	
527	Protective Net	9371934013	9371934013	9371934013	
734	Top Plate	9371925011	9371925011	9371925011	
735-3	Capillary Assy	9372197035	9372197066	9372197059	
754	Terminal Gask. Washer	9351053017	9351053017	9351053017	
815	Terminal-5P	9356497021	9356497021	9356497021	
823-3	Fuse Holder	0500063024	0500063024	0500063024	
824-4	Fuse	0600222529	0600222529	0600222529	
982-1	Cord Clamp-A	9359822011	9359822011	9359822011	
982-2	Cord Clamp-B	9359823018	9359823018	9359823018	

OUTDOOR UNIT

Ref. No.	Description	Part No.			Ord. Q'ty
		HO-18UA	HO-18UB HO-18UE	HO-24UB HO-24UC	
2	Fan Guard	9371187013	9371187013	9371187013	
4	Emblem-Rear	9361328006	9361328006	9361328006	
5	Front Panel Ptd	9371924014	9371924014	9371924014	
7	Connector Cover (Cabinet)	9366398004	9366398004	9366398004	
8	Wire Assy (Comp)	9372334010	9372334010	9372334010	
9	Side Panel R Ptd	9371927015	9371927015	9371927015	
12	Base Assy, Ptd	9371920054	9371920054	9371920016	
13-1	3-Way Valve Assy	9372205013	9372205013	9372205013	
13-2	2-Way Valve Assy	9372204016	9372204016	9372204023	
16	Condenser Assy	9372181010	9372181034	9372181010	
26	Compressor Cover A	9372327012	9372327012	9372327012	
29	Separate Wall	9371933016	9371933016	9371933016	
32	Control Box	9371935010	9371935010	9371935010	
34	Capacitor, Plastic	9900130022	9900130022	9900130022	
37	Running Capacitor	9703107122	9703107122	9703107023	
38	Capacitor Clamp Metal	9351770013	9351770013	313791061807	
39	Propeller Fan Assy	9366378013	9366378013	9366378013	
41	Motor Induct	9601671015	9601671015	9601671015	
45-1	Motor Bracket	9371929019	9371929019	9371929019	
45-2	Motor Bracket-Top	9371931012	9371931012	9371931012	
45-3	Motor Bracket Ctr	9371930015	9371930015	9371930015	
45-4	Motor Bracket Bottom	9371932019	9371932019	9371932019	
46	Compressor Assy	9372333013	9372558027	9372558010	
51	Special Nut M5	9300301015	9300301015	9300301015	
55	Special Nut M8	9355091008	9355091008	9355091008	
64	Side Panel L Ptd	9371926018	9371926018	9371926018	
69-3	Bolt, Hex. Socket	301210060360	301210060360	301210060360	
85	Valve Plate Ptd	9371928012	9371928012	9371928012	
107	Rubber Seat-A	9351049010	9351049010	9351049010	
109	Terminal Cover (Comp)	9371511016	9371511016	9371511016	
187	Clip (Cable)	9352715006	9352715006	9352715006	
199	Br Sheet	9363708059	9363708059	----	
218-3	Relay	9900074012	9900074012	9900074012	
218-4	Power Relay	9900008017	----	----	
259	Muffler	9372369012	9372369012	----	
271	4-Way Valve Rubber	313728251908	313728251908	313728251908	
272	Strainer	9369287008	9369287008	9369287008	
333	Accumulator	----	----	9368391003	
343	Solenoid	9900165017	9900165017	9900165017	
344	4-Way Valve	9970036019	9970036019	9900163013	
361	Accum Support Assy	----	----	9372252017	
412	Cover Gasket (Comp.)	9371512013	9371512013	9371512013	
413	Heater (Crank Case)	9900132033	----	----	
527	Protective Net	9371934013	9371934013	9371934013	
734	Top Panel	9371925011	9371925011	9371925011	
735-3	Capillary Assy	9372197011	9372197042	9372197028	
754	Terminal Gask. Washer	9351053017	9351053017	9351053017	
815-3	Terminal-5P	9358660119	9358660119	9358660119	
823-2	Fuse Holder	0500063024	0500063024	0500063024	
824-4	Fuse	0600222529	0600222529	0600222529	
982-1	Cord Clamp-A	9359822011	9359822011	9359822011	
982-2	Cord Clamp-B	9359823018	9359823018	9359823018	

OUTDOOR UNIT

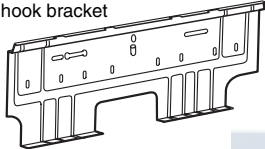
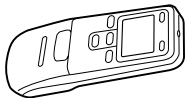

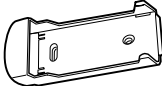
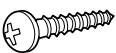

Ref. No.	Description	Part No.	Ord. Q'ty	Ref. No.	Description	Part No.	Ord. Q'ty
		HO-30FB				HO-30FB	
2	Fan Cover (Guard)	9371187013		117-3	Hex. Nut w/Sp. Washer	301721180114	
4	Emblem-Rear	9359546009		187	Clamp No.1219	313361271706	
5	Cabinet-A, Painted	9359797029		218-3	Power Relay	9900074012	
9	Cabinet-B, Painted	9359798026		263	Accumulator	9385005006	
12	Base Assy, Painted	9359813019		272	Strainer	9369287008	
13	3-Way Valve Assy (5/8)	9372205037		328	Comp. Plate Assy	9362273060	
13-2	2-Way Valve Assy (3/8)	9372204047		373	Grip	9352157004	
16	Condenser Assy	9372866016		407	Clamp (Cable) No.1259	313739340109	
20	Discharge Pipe	9369047008		412	Cover Gasket	9371512013	
26	Comp. Cover	9369093005		420	Capillary Assy	9371287119	
29	Separate Wall	9359804017		477	Bell-mouth	9359809012	
32	Control Box Metal	9359839019		527	Protection Net	9359844013	
34	Capacitor (Fan Motor)	9357965024		549	Thermostat-Outdoor	9352553004	
37	Running Capacitor	9703107092		734	Cabinet Top Plate Panel	9359799023	
38	Capacitor Clamp	9351770013		754	Gasket Washer	9351053017	
39	Propeller Fan	9359837015		815-3	Terminal-8P	9358660119	
41	Fan Motor Assy-Out (MFB-30DFT)	9600832011		817	Bracket (Thermo)	9372643013	
45-1	Motor Bracket-A	9369627002		823-2	Fuse Holder	0500063024	
45-2	Motor Bracket-B	9369628009		824-4	Fuse	0600222529	
45-3	Motor Bracket-C	9369629006		867	Accumulator Holder Rubber	9354022010	
45-4	Motor Bracket-D	9369630002		983	Thermostat Cover	9358274002	
46	Compressor Assy	9372558034		989-1	Cord Clamp-A	9359822011	
51	M5 Nut Special	9300301015		989-2	Cord Clamp-B	9359823018	
55	Special Nut M8	9355091008					
64	Cabinet Left, Painted	9359840022					
82-1	Check Joint	9372802014					
84	Valve Cover	9359817017					
85	Valve Fixing Plate	9359806011					
107	Rubber Mount	9351049010					
109	Terminal Cover	9371511016					

OUTDOOR UNIT

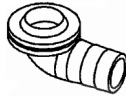

Ref. No.	Description	Part No.	Ord. Q'ty	Ref. No.	Description	Part No.	Ord. Q'ty
		HO-30UB				HO-30UB	
2	Fan Cover (Guard)	9371187013		117-3	Hex. Nut w/Sp. Washer	301721180114	
4	Emblem-Rear	9361328006		187	Clamp No. 1219	313361271706	
5	Cabinet-A, Painted	9359797029		218-3	Power Relay	9900074012	
9	Cabinet-B, Painted	9359798026		263	Accumulator	9385005006	
12	Base Assy, Painted	9359813019		272	Strainer	9369287008	
13	3-Way Valve (5/8)	9372205037		328	Comp Plate Assy	9362273060	
13-2	3-Way Valve (3/8)	9372204047		342	Screw (Solenoid Valve)	9970024016	
16	Condenser Assy	9369981005		343	Solenoid	9900196011	
26	Comp. Cover	9369093005		344	4-Way Valve	9900163013	
29	Separate Wall	9359804017		373	Grip	9352157004	
32	Control Box Metal	9359839019		407	Clamp (Cable) No. 1259	313739340109	
34	Capacitor (Fan Motor)	9357965024		412	Terminal Gasket	9371512013	
37	Running Capacitor	9703107092		420	Capillary Assy	9371287102	
38	Capacitor Clamp	9351770013		477	Bell-Mouth	9359809012	
39	Propeller Fan Assy	9359837015		527	Protection Net	9359844013	
41	Fan Motor Assy-Out (MFB-30DFT)	9600832011		734	Cabinet Top Panel	9359799023	
45-3	Motor Bracket-A	9369627002		735	Distributor Assy	9369076008	
45-4	Motor Bracket-B	9369628009		754	Gasket Washer	9351053017	
45-5	Motor Bracket-C	9369629006		772	Joint Pipe (Valve)	9372876015	
45-6	Motor Bracket-D	9369630002		815-3	Terminal-8P	9358660119	
46	Compressor Assy	9372558034		823-2	Fuse Holder	0500063024	
51	M5 Nut special	9300301015		824-4	Fuse	0600222529	
55	Special Nut M8	9355091008		867	Accumulator Holder Rubber	9354022010	
64	Cabinet Left, Painted	9359840022		989-1	Cord Clamp-A	9359822011	
81	Strap	9362371001		989-2	Cord Clamp-B	9359823018	
82-1	Check Joint	9372802014					
84	Valve Cover	9359817017					
85	Valve Fixing Plate	9359806011					
107	Rubber Mount	9351049010					
109	Terminal Cover	9371511016					

STANDARD ACCESSORIES



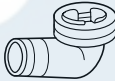

INDOOR UNIT ACCESSORIES

Name and Shape	Part No.
Wall hook bracket 	9368579005
Remote control unit 	9371190013 (AR-JW1) (Heat & Cool model) (Reverse cycle)
	9371190020 (AR-JW2) (Cooling only model)
Battery (penlight) 	0600185534
Remote control unit holder 	9305642014
Tapping screw (big) (φ4 x 20) 	301141164200
Tapping screw (small) (φ3 x 12) 	301141533125

OUTDOOR UNIT ACCESSORIES (18,000 • 24,000BTU model)

Name and Shape	Part No.
Drain Assy 	9303029015 [Heat & Cool model (Reverse cycle)only]
Drain cap 	313166024302 [Heat & Cool model (Reverse cycle)only]

OUTDOOR UNIT ACCESSORIES (30,000 BTU model)

Name and Shape	Part No.
Cable clip 	313739340109
Tapping screw 	301463040100
Drain pipe 	9303029015 [Heat & Cool model (Reverse cycle)only]
Drain cap 	313166024302 [Heat & Cool model (Reverse cycle)only]



HIYASU, S.A.

Calle Brasil, 52-54 08028 Barcelona

0312G2450

WWW.ENINDEL.COM