



SPLIT TYPE
ROOM AIR CONDITIONER
FLOOR CONSOLE /
UNDER CEILING
DUAL type

SERVICE MANUAL

Refrigerant
R410A

Models	Indoor unit	Outdoor unit
	ABG14FBBJ	AOG14FSDJ
	ABG14UBBJ	AOG14USDJL
	ABG18FBBJ	AOG18FNBK
	ABG18UBBJ	AOG18UNBKL
	ABG24FBBJ	AOG24FNBK
	ABG24UBBJ	AOG24UNBKL

PRELIMINARY

CONTENTS

SPECIFICATIONS	1
OUTLINE AND DIMENSIONS	3
REFRIGERANT SYSTEM DIAGRAM	5
CIRCUIT DIAGRAM	8
ERROR DISPLAY	12
PCB CIRCUIT DIAGRAM	13
DISASSEMBLY ILLUSTRATION (Indoor Unit)	15
DISASSEMBLY ILLUSTRATION (Outdoor Unit)	22
PARTS LIST (Indoor Unit)	31
PARTS LIST (Outdoor Unit)	33

SPECIFICATIONS

TYPE	Cool		
INDOOR UNIT	ABG14FBBJ	ABG18FBBJ	ABG24FBBJ
OUTDOOR UNIT	AOG14FSDJ	AOG18FNBK	AOG24FNBK
COOLING CAPACITY (kW)	4.20	5.40	6.50

ELECTRICAL DATA

POWER SOURCE (V)	230		
FREQUENCY (Hz)	50		
RUNNING CURRENT (A)	6.3	8.5	11.0
INPUT WATTS (kW)	1.39	1.92	2.45
E.E.R. (kW/kW)	3.02	2.81	2.65
MOISTURE REMOVAL (ℓ/hr)	1.5	2.0	2.5
AIR CIRCULATION-Hi (m³/hr)	640	780	880

COMPRESSOR

TYPE	Hermetic type, Deposit electrode condenser, 2 poles. Single phase, Induction motor, Rotary		
CODE	802 360 35(B)	5KS225DAC	5JS290DAA
REFRIGERANT R410A (g)	900	900	1,550

FAN MOTOR

POWER SOURCE (V)	230			
INDOOR UNIT	TYPE	MFA-14JTT	MFA-18JTT	MFA-24JTT
	HI-SPEED (r.p.m.)	850	1,030	1,180
	MED-SPEED (r.p.m.)	760	890	1,040
	LO-SPEED (r.p.m.)	670	770	900
OUTDOOR UNIT	TYPE	MFB-14VTT	MFB-24JTT	
	HI-SPEED (r.p.m.)	740	780	

DIMENSIONS

INDOOR UNIT H x W x D (mm)	199 x 990 x 655		
OUTDOOR UNIT	530 x 750 x 250	650 x 830 x 320	

WEIGHT

INDOOR UNIT GROSS / NET (kg)	37 / 28		
OUTDOOR UNIT	37 / 35	51 / 47	62 / 58

REFRIGERANT CHARGE (R410A)

PIPE LENGTH		7.5 m (25 ft)	10 m (33 ft)	15 m (49 ft)	20 m (66 ft)	Additional refrigerant
FULL CHARGE AMOUNT	ABG14FBBJ	900 g (31.8oz)	938 g (33.1oz)	1,013 g (35.7oz)	-	15g (0.53oz) / 1m (3.3ft) (over 7.5m)
	ABG18FBBJ	900 g (31.8oz)	950 g (33.5oz)	1,050 g (37.0oz)	1,150 g (40.6oz)	20g (0.71oz) / 1m (3.3ft) (over 7.5m)
	ABG24FBBJ	1,550 g (54.7oz)	1,600 g (56.4oz)	1,700 g (60.0oz)	1,800 g (63.5oz)	

TYPE		Cool and Heat		
INDOOR UNIT		ABG14UBBJ	ABG18UBBJ	ABG24UBBL
OUTDOOR UNIT		AOG14USDJL	AOG18UNBKL	AOG24UNBKL
COOLING CAPACITY	(kW)	4.00	5.40	6.50
HEATING CAPACITY	(kW)	4.70	6.00	7.40

ELECTRICAL DATA

POWER SOURCE	(V)	230		
FREQUENCY	(Hz)	50		
RUNNING CURRENT (Cool)	(A)	6.3	8.6	10.8
RUNNING CURRENT (Heat)	(A)	6.0	8.3	10.3
INPUT WATTS (Cool)	(kW)	1.42	1.90	2.42
INPUT WATTS (Heat)	(kW)	1.35	1.85	2.30
E.E.R. (Cool)	(kW/kW)	2.82	2.84	2.69
E.E.R. (Heat)	(kW/kW)	3.48	3.24	3.22
MOISTURE REMOVAL	(ℓ /hr)	1.5	2.0	2.50
AIR CIRCULATION-Hi	(m ³ /hr)	640	780	880

COMPRESSOR

TYPE	Hermetic type, Deposit electrode condenser, 2 poles. Single phase, Induction motor, Rotary			
CODE	802 360 35(B)	5KS225DAC	5JS290DAA	
REFRIGERANT	R410A (g)	1,000	1,550	1,700

FAN MOTOR

POWER SOURCE	(V)	230		
INDOOR UNIT	TYPE	MFA-14JTT	MFA-18JTT	MFA-24JTT
	HI-SPEED (r.p.m.)	850	1,030	1,180
	MED-SPEED (r.p.m.)	760	890	1,040
	LO-SPEED (r.p.m.)	670	770	900
OUTDOOR UNIT	TYPE	MFB-14NTT	MFB-24JTB	
	HI- SPEED (r.p.m.)	780	780	
	LO-SPEED (r.p.m.)	440	400	

DIMENSIONS

INDOOR UNIT	H x W x D (mm)	199 x 990 x 655		
OUTDOOR UNIT	H x W x D (mm)	530 x 750 x 250	650 x 830 x 320	

WEIGHT

INDOOR UNIT	GROSS / NET (kg)	37 / 28		
OUTDOOR UNIT	GROSS / NET (kg)	37 / 35	56 / 52	63 / 59

REFRIGERANT CHARGE (R410A)

PIPE LENGTH		7.5 m (25 ft)	10 m (33 ft)	15 m (49 ft)	20 m (66 ft)	25 m (82 ft)	Additional refrigerant
FULL CHARGE AMOUNT	ABG14UBBJ	1,000 g (35.3oz)	1,038 g (36.6oz)	1,113 g (39.3oz)	-	-	15g (0.53oz) / 1m (3.3ft) (over 7.5m)
	ABG18UBBJ	1,550 g (54.7oz)	1,600 g (54.6oz)	1,700 g (60.0oz)	1,800 g (63.5oz)	-	20g (0.71oz) / 1m (3.3ft) (over 7.5m)
	ABG24UBBJ	1,700g (60.0oz)	1,800 g (63.5oz)	2,000 g (70.6oz)	2,300 g (81.1oz)	-	40g (1.42oz) / 1m (3.3ft) (over 7.5m)

OUTLINE AND DIMENSIONS

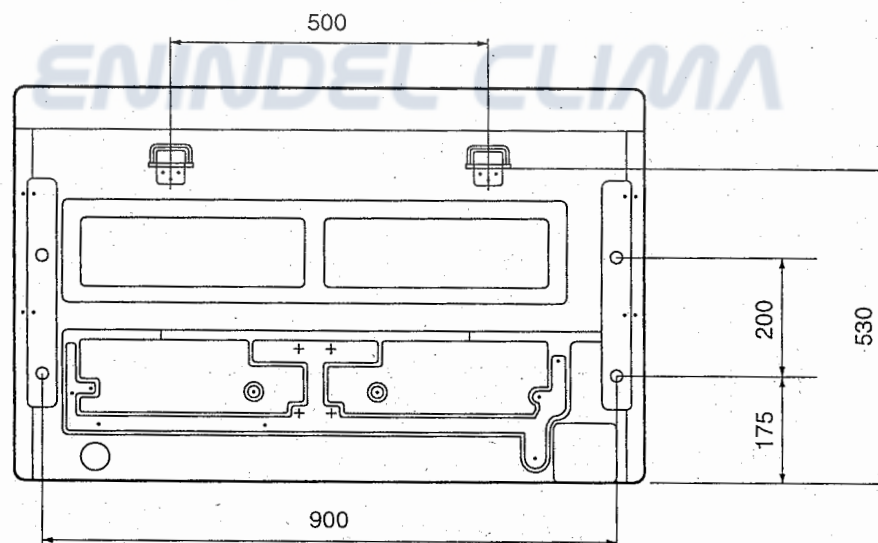
Unit : mm

INDOOR UNIT

Models : ABG14FBBJ ABG18FBBJ ABG24FBBJ
ABG14UBBJ ABG18UBBJ ABG24UBBJ



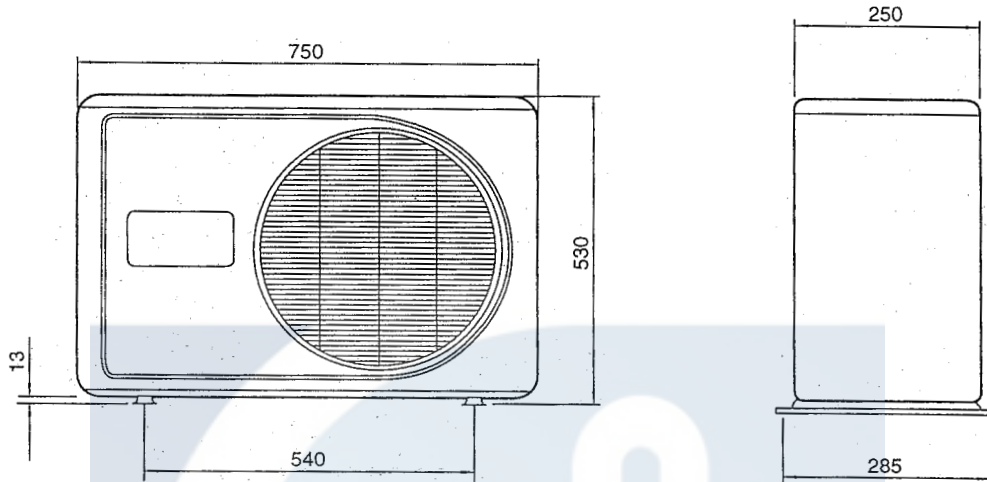
[Rear View]



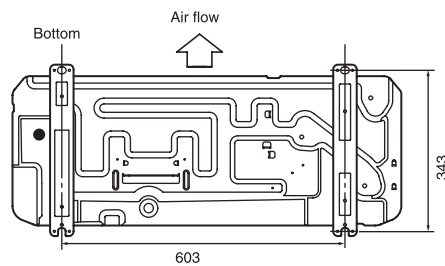
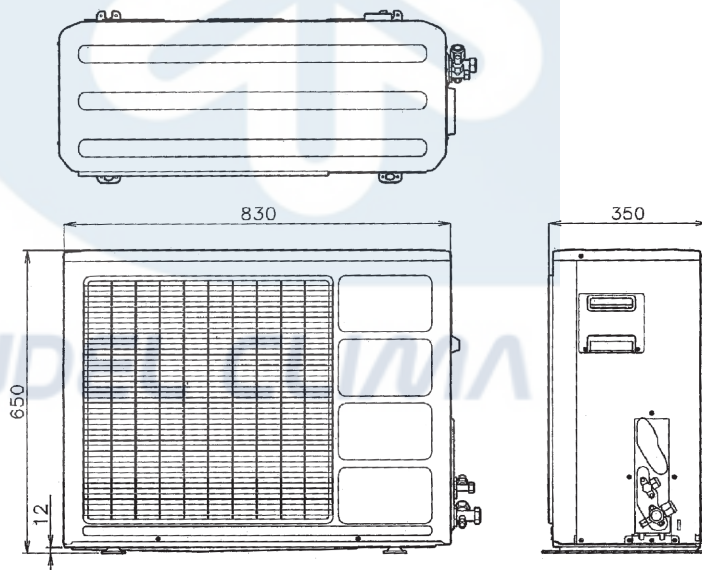
OUTDOOR UNIT

Unit : mm

Models : AOG14FSDJ
AOG14USDJL

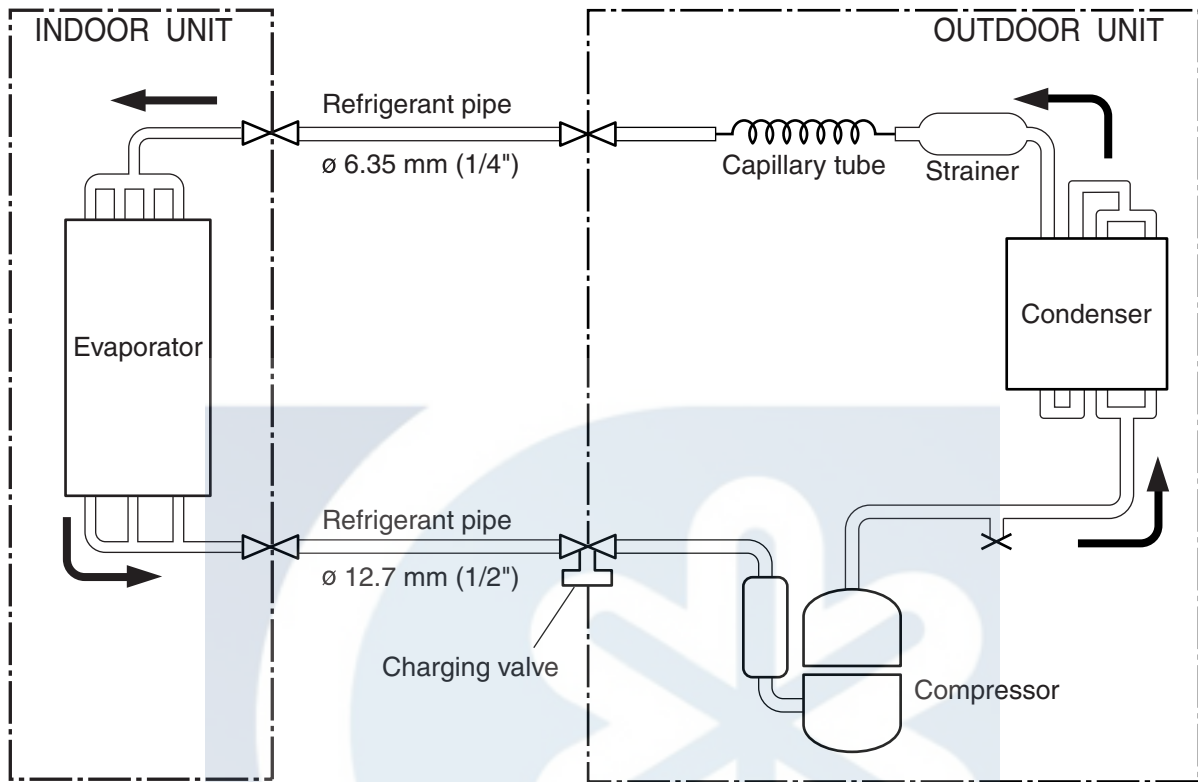


Models : AOG18FNBK
AOG18UNBKL
AOG24FNBK
AOG24UNBKL

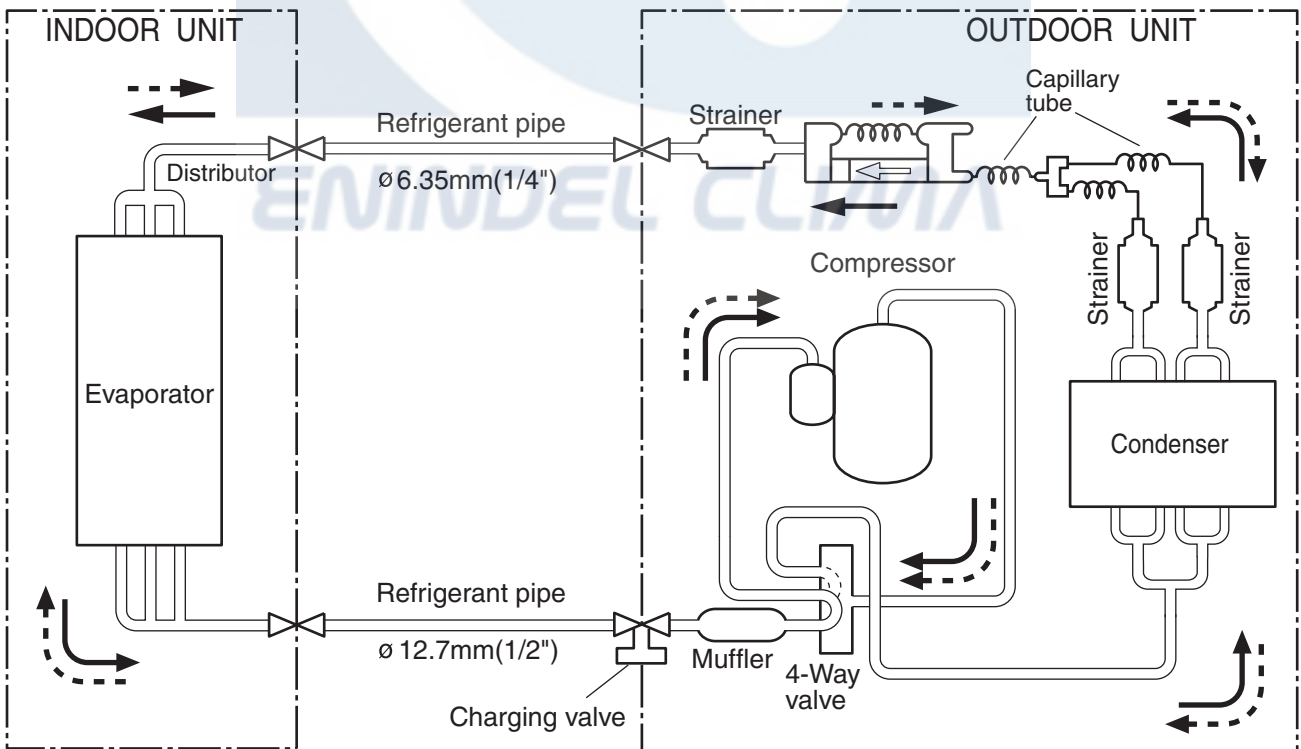


REFRIGERANT SYSTEM DIAGRAM

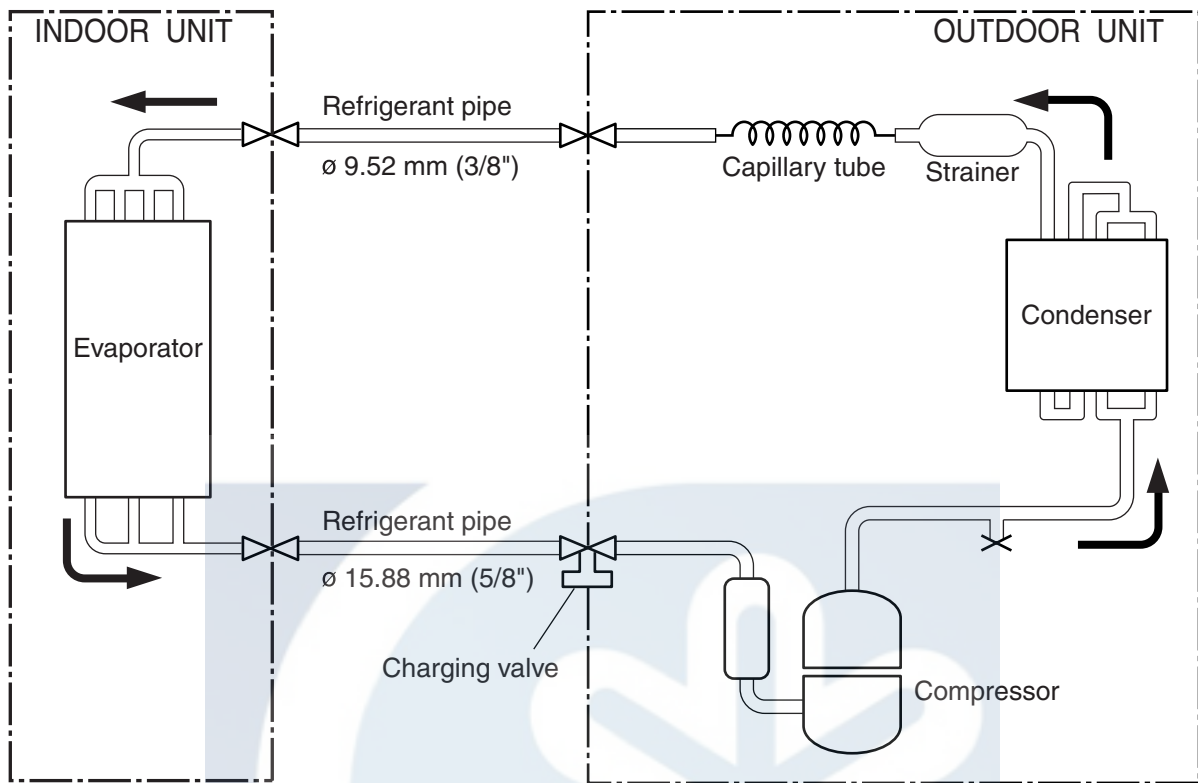
Models : **ABG14FBBJ / AOG14FSDJ**



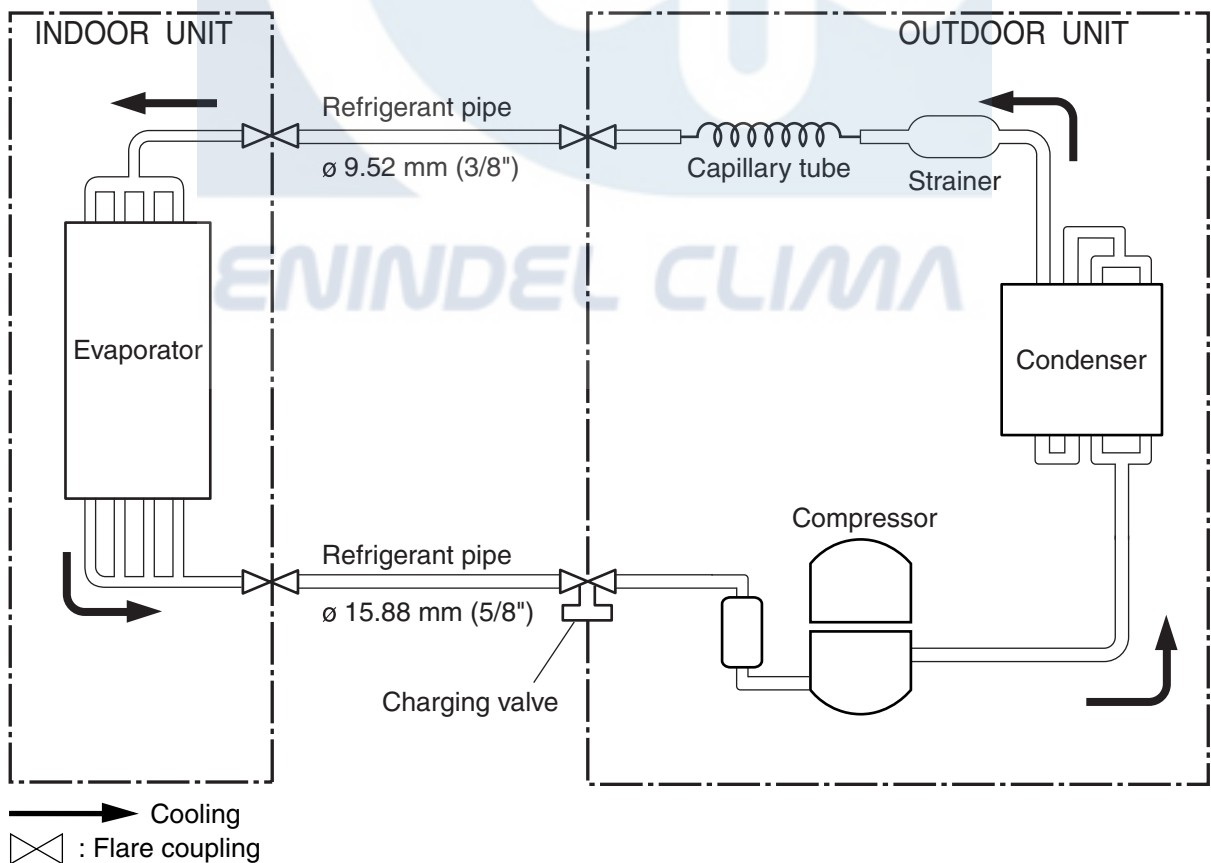
Models : **ABG14UBBJ / AOG14USDJL**



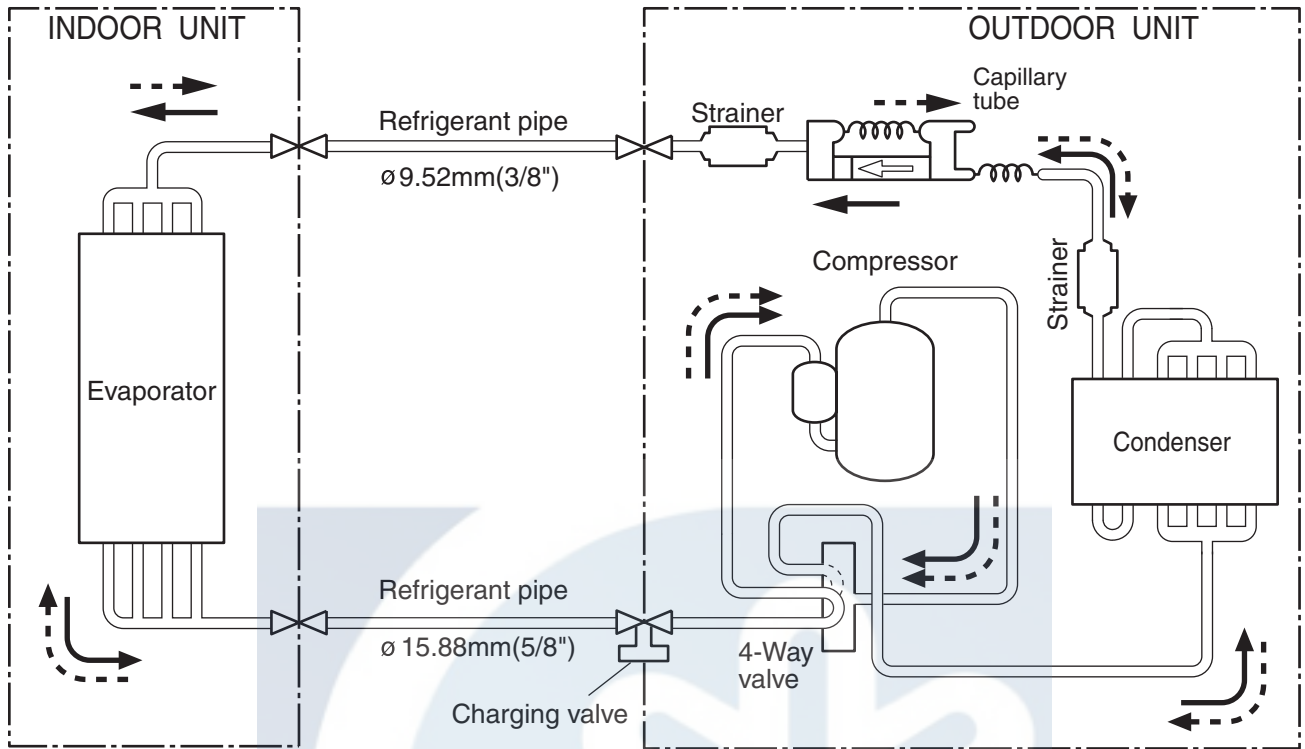
Models : ABG18FBBJ / AOG18FNBK



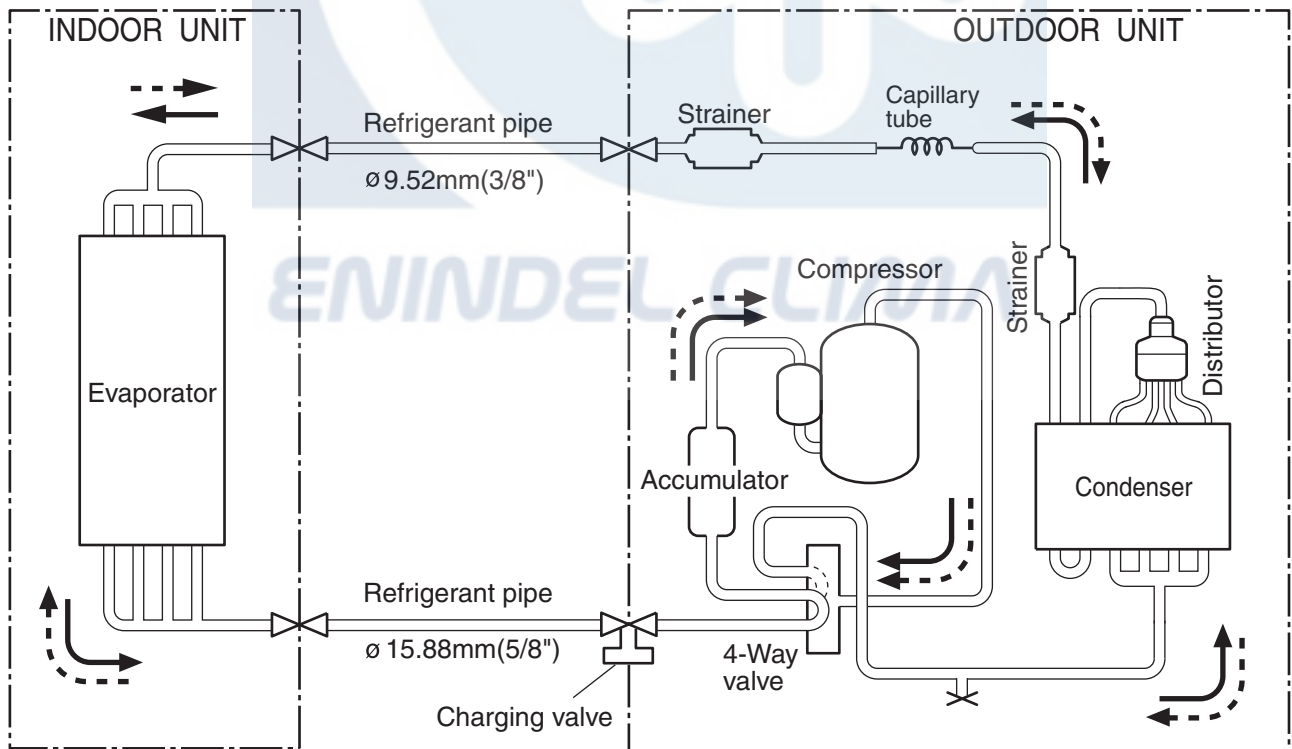
Models : ABG24FBBJ / AOG24FNBK



Models : ABG18UBBJ / AOG18UNBKL



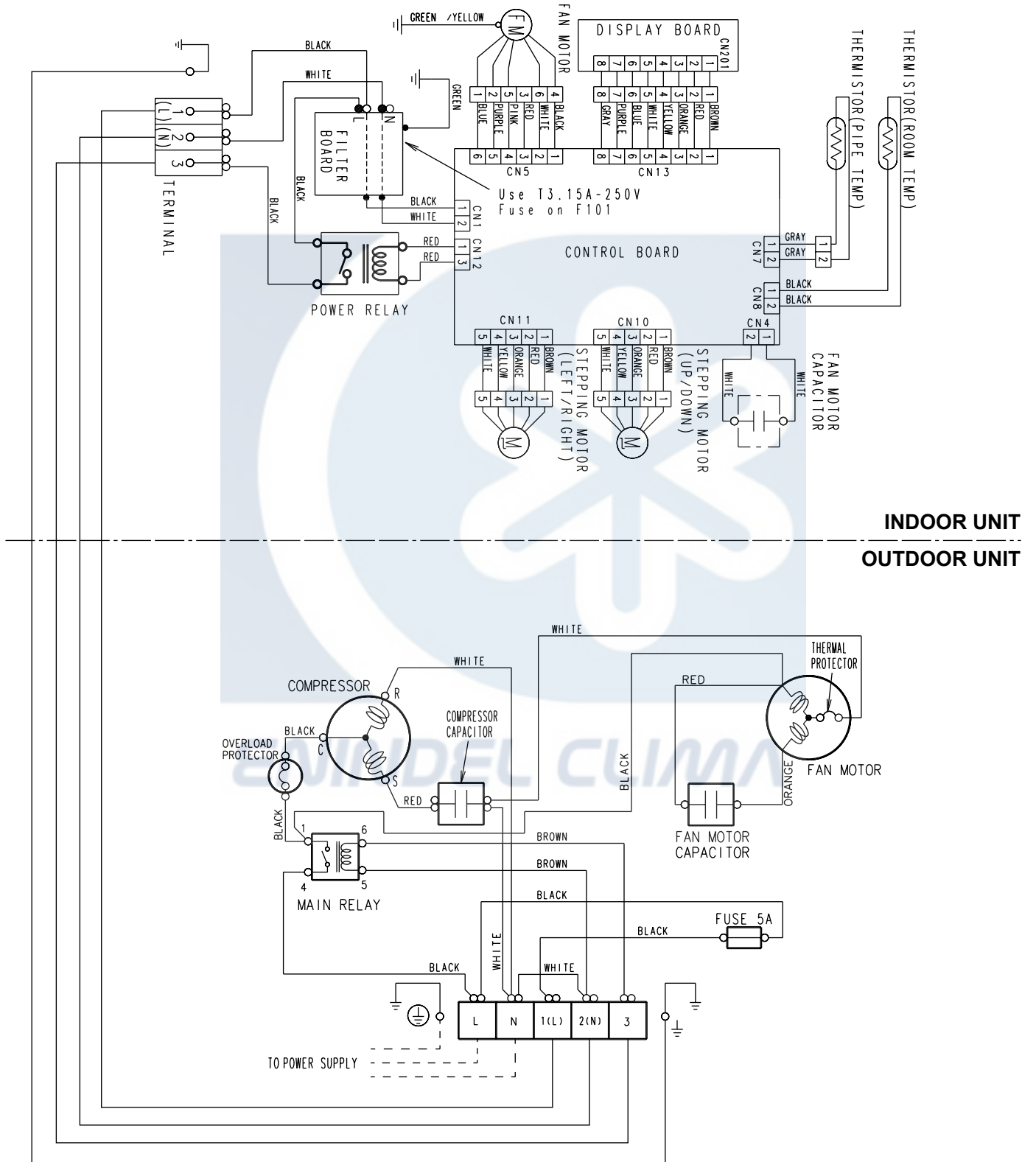
Models : ABG24UBBJ / AOG24UNBKL

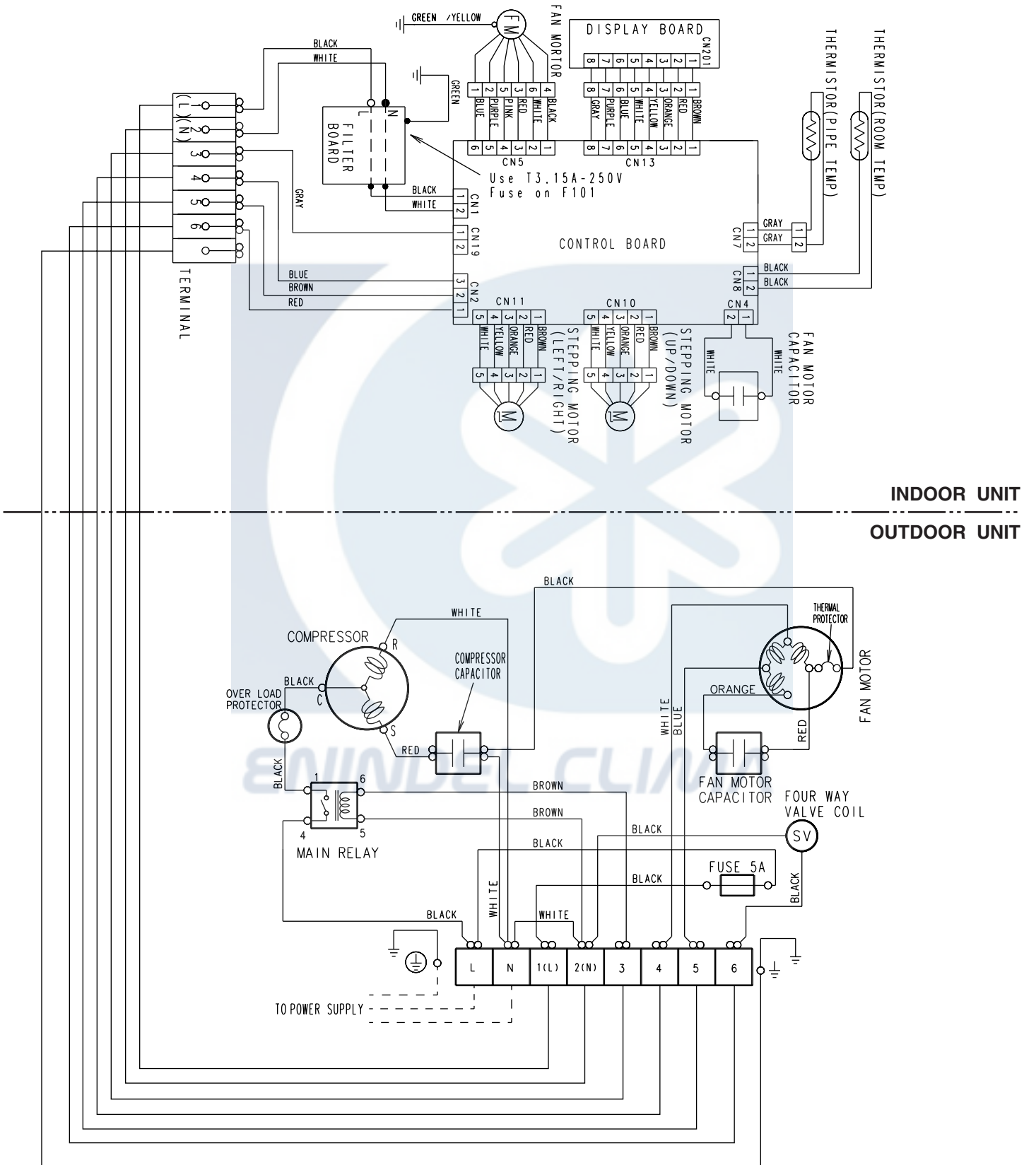


- Cooling
- - - -> Heating
- ⊗ : Flare coupling

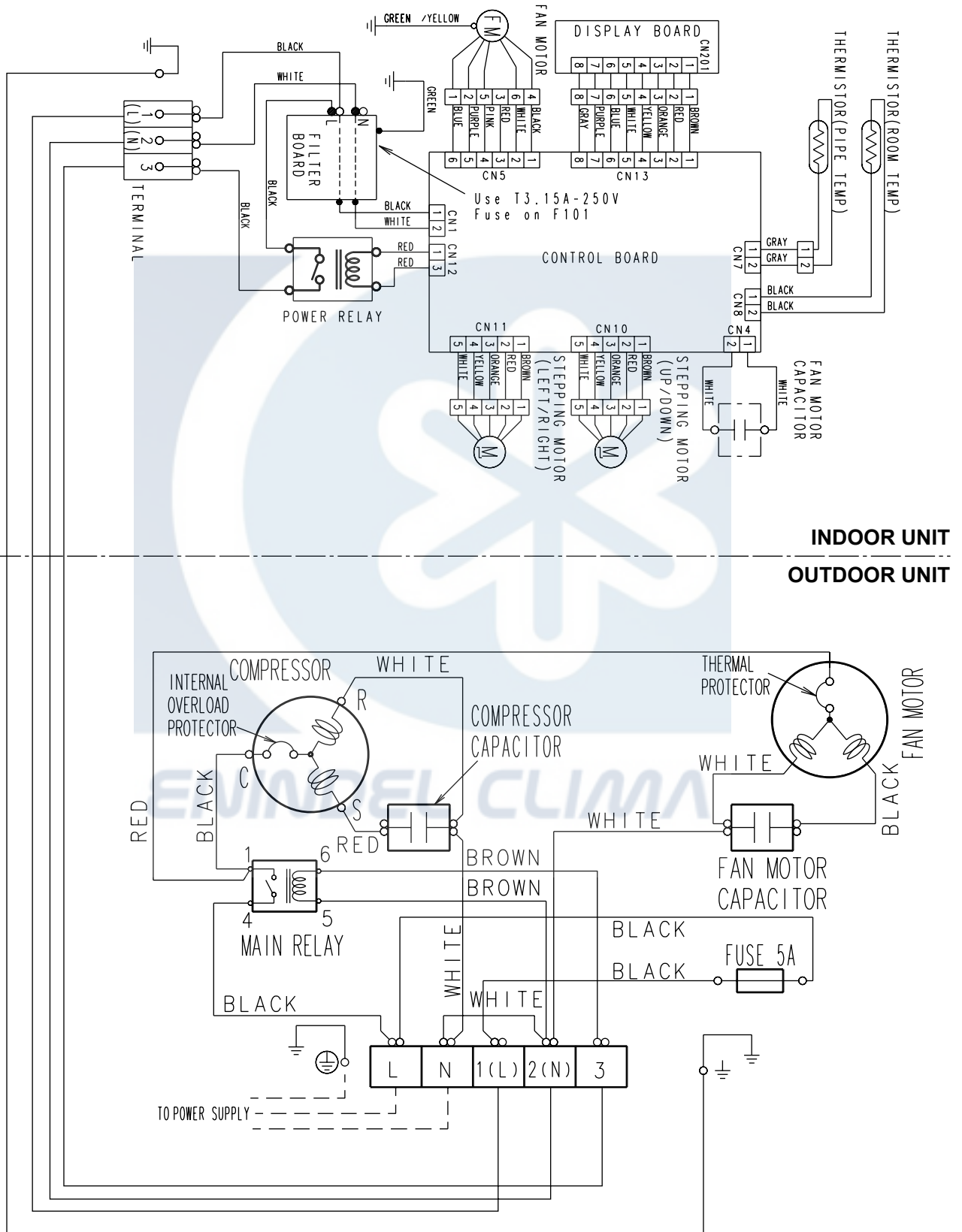
CIRCUIT DIAGRAM

Models : ABG14FBBJ / AOG14FSDJ

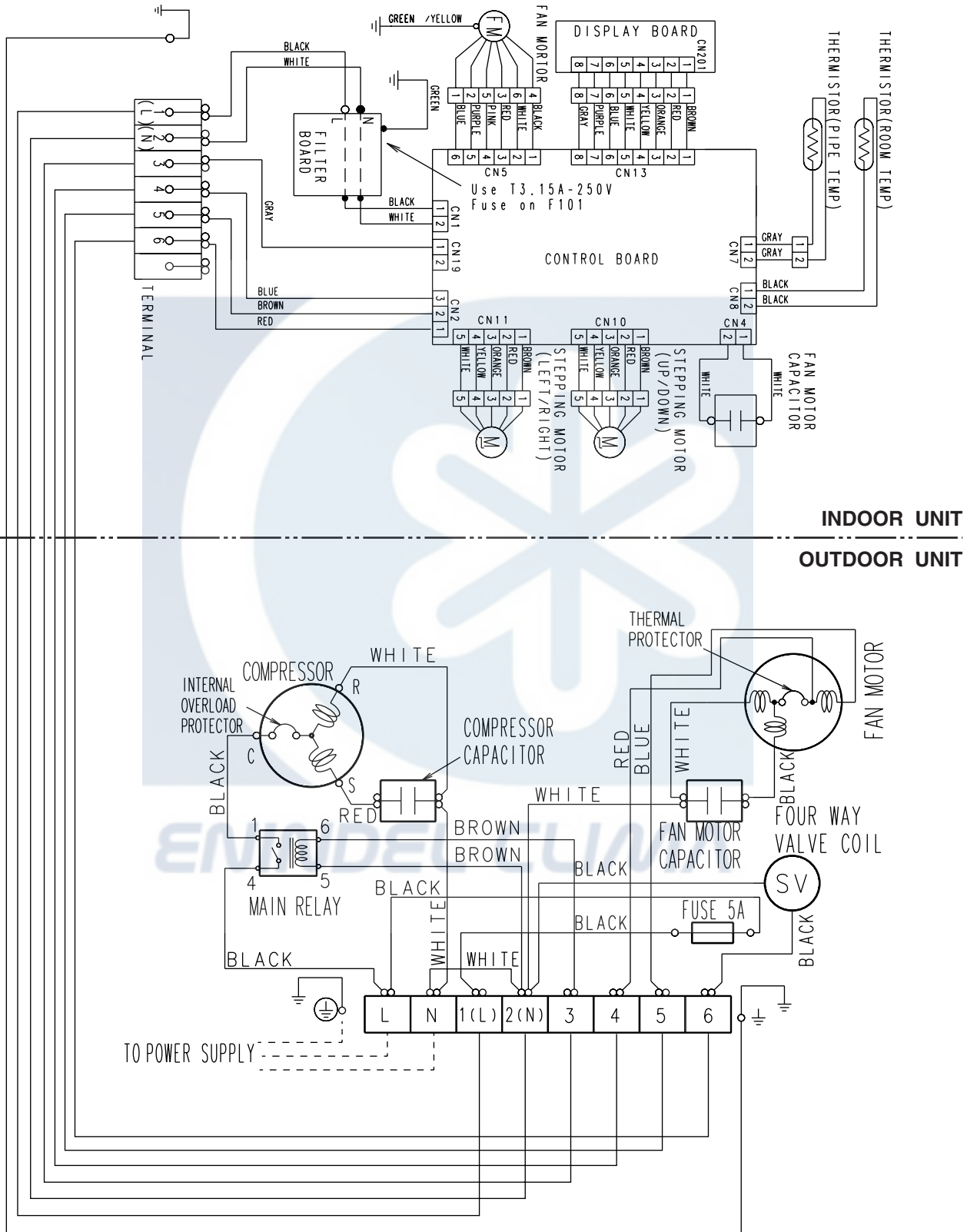




Models : ABG18FBBJ / AOG18FNBK
 ABG24FBBJ / AOG24FNBK



Models : ABG18UBBJ / AOG18UNBKL
 ABG24UBBJ / AOG24UNBKL



ERROR DISPLAY

The OPERATION, TIMER and SWING lamps operate as follows according to the error contents.

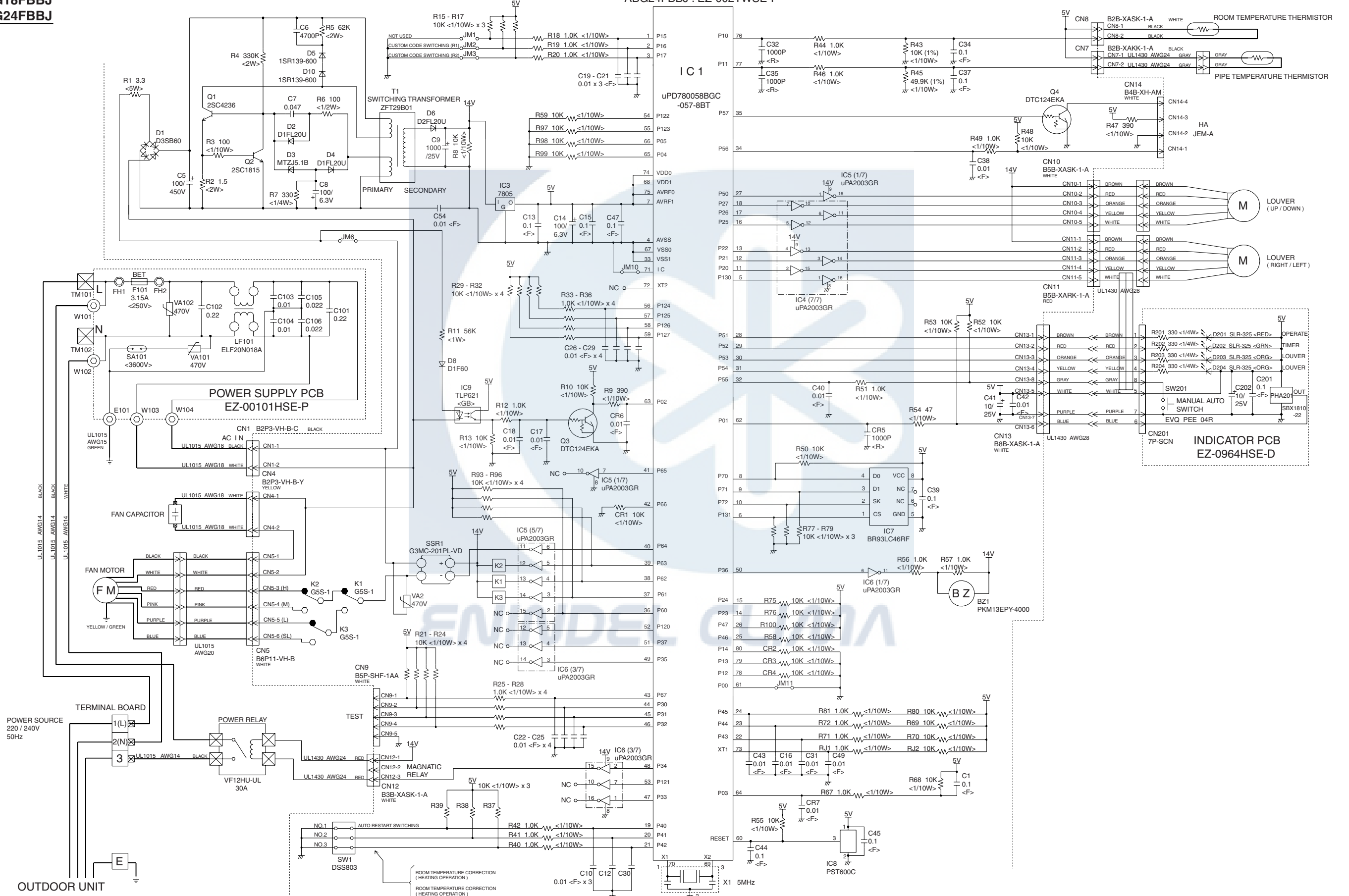
○ : Fast flashing ● : Slow flashing – : Off

Error contents	Error display		
	OPERATION (RED)	TIMER (GREEN)	SWING (ORANGE)
Indoor unit circuit board error	○	○	–
Indoor unit room temperature sensor wire opened	2 times ●	○	–
Indoor unit room temperature sensor wire short circuited	2 times ●	○	○
Indoor unit piping sensor wire opened	3 times ●	○	–
Indoor unit piping sensor wire short circuited	3 times ●	○	○
Indoor unit fan error	6 times ●	○	–

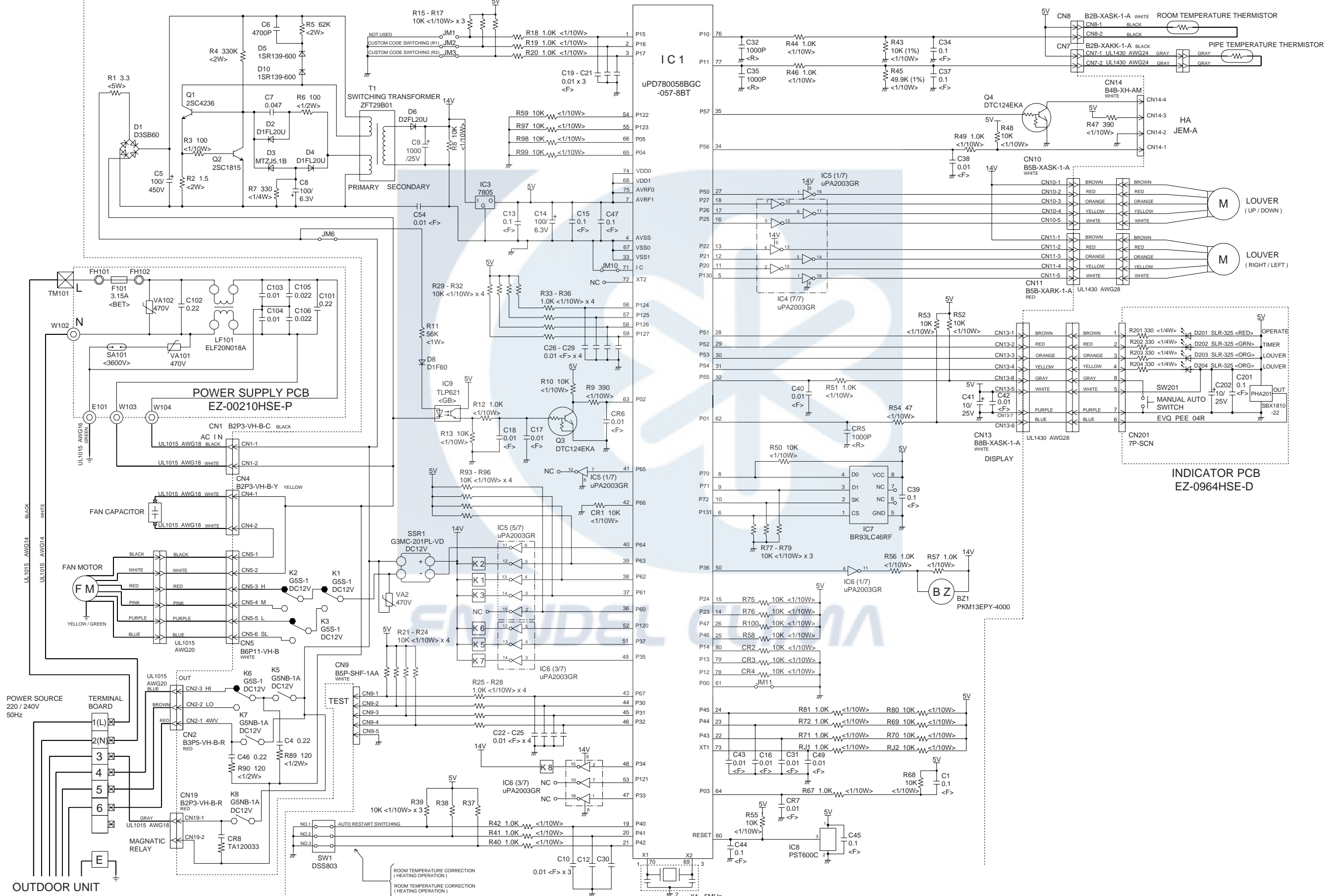
INDOOR PRINTED CIRCUIT BOARD CIRCUIT DIAGRAM

Models : ABG14FBBJ
ABG18FBBJ
ABG24FBBJ

CONTROLLERPCB ASSEMBLY (MAIN PCB)
ABG14FBBJ : EZ-001LWSE-F
ABG18FBBJ : EZ-002YWSE-F
ABG24FBBJ : EZ-002TWSE-F

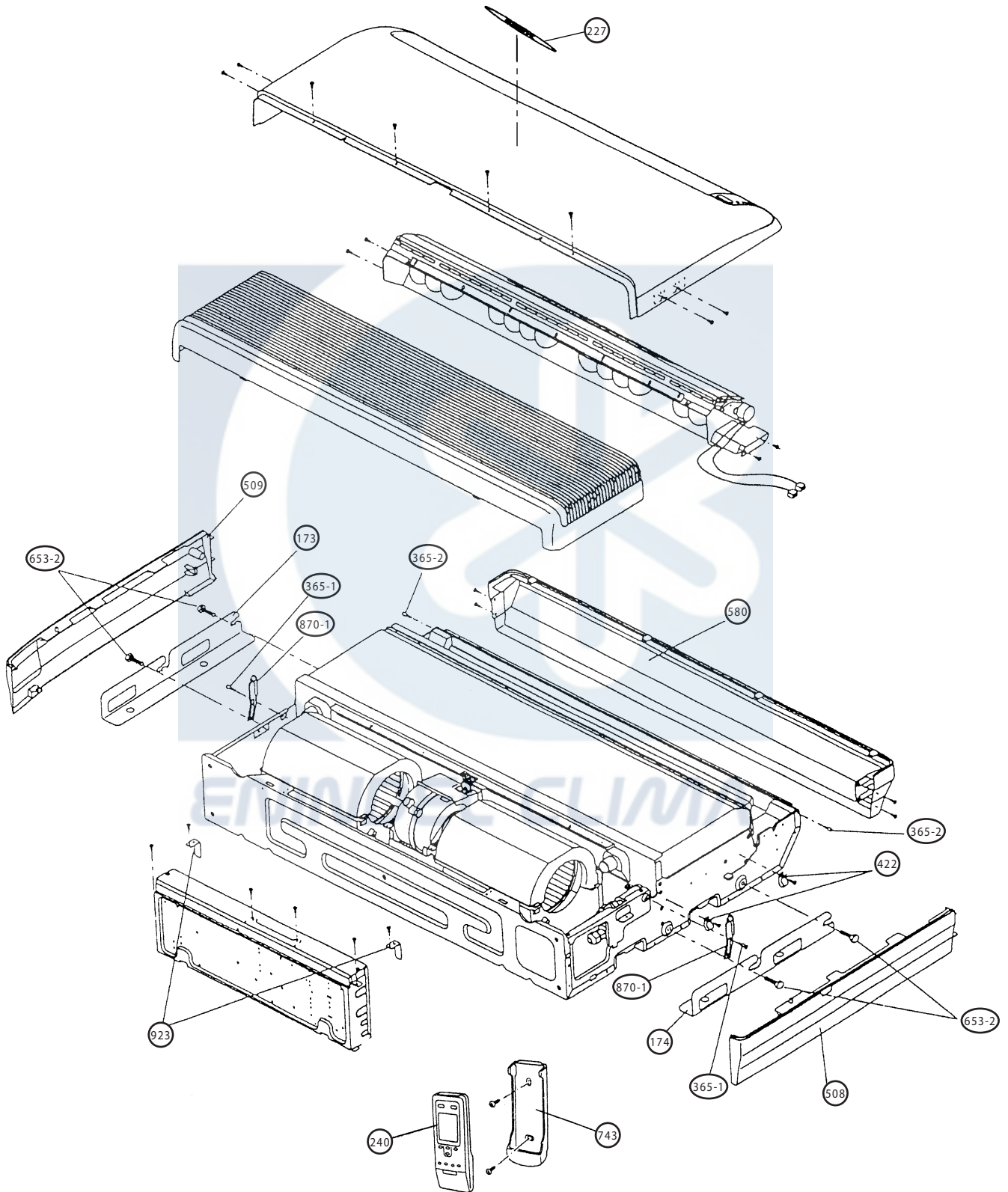


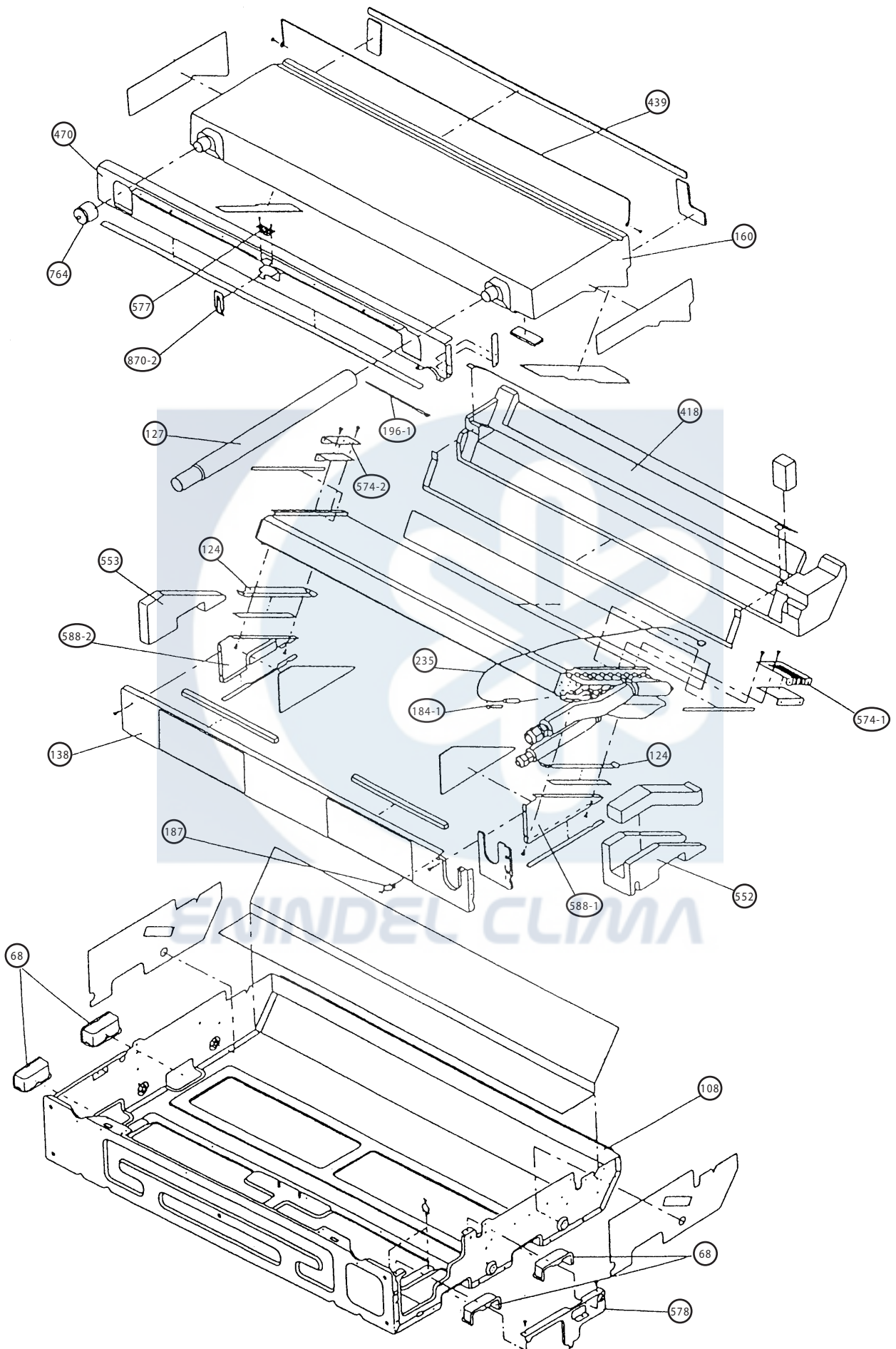
CONTROLLER PCB ASSEMBLY (MAIN PCB)
 ABG14UBBJ : EZ-00312HSE-F
 ABG18UBBJ : EZ-00211HSE-F
 ABG24UBBJ : EZ-00210HSE-F

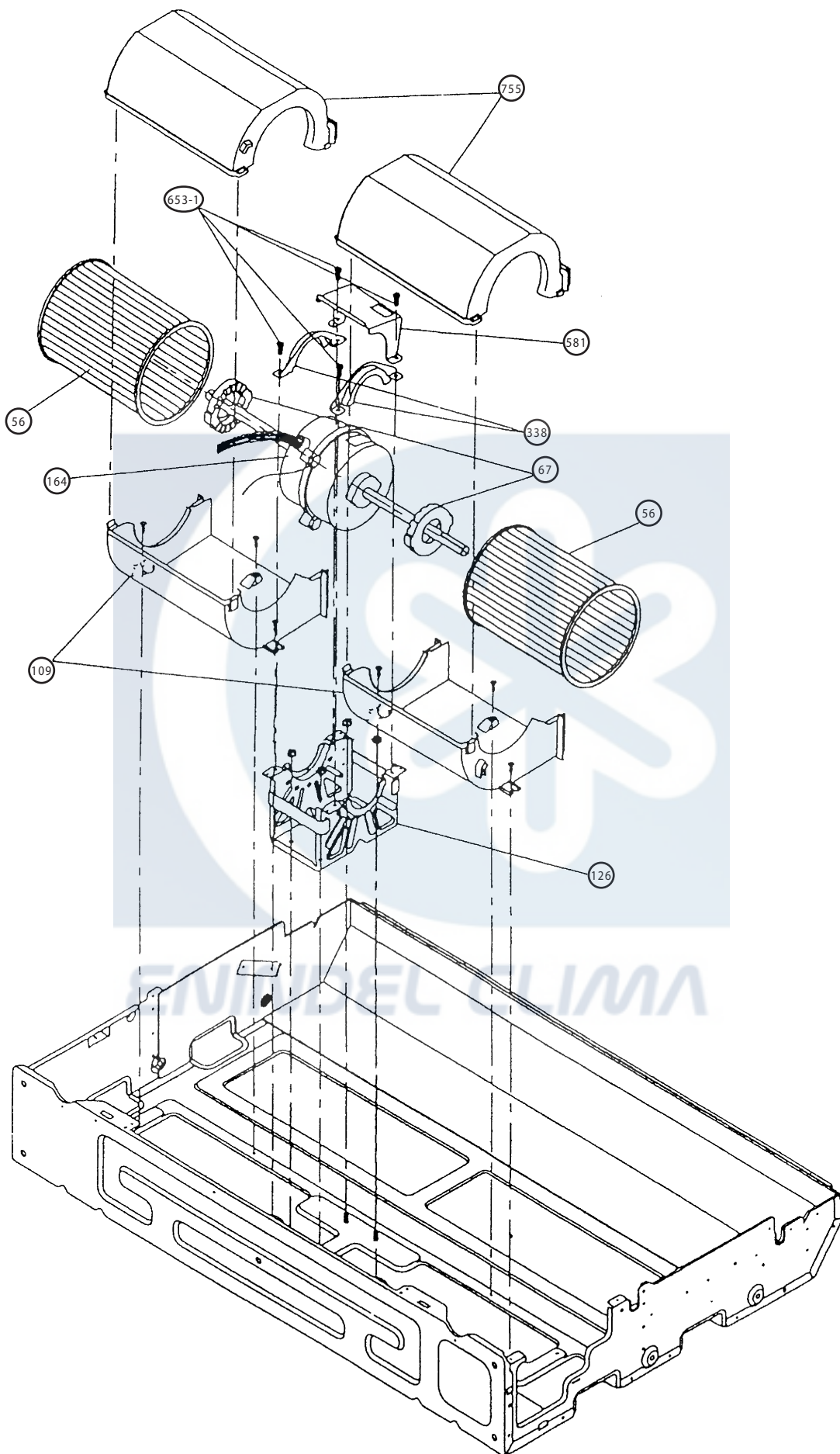


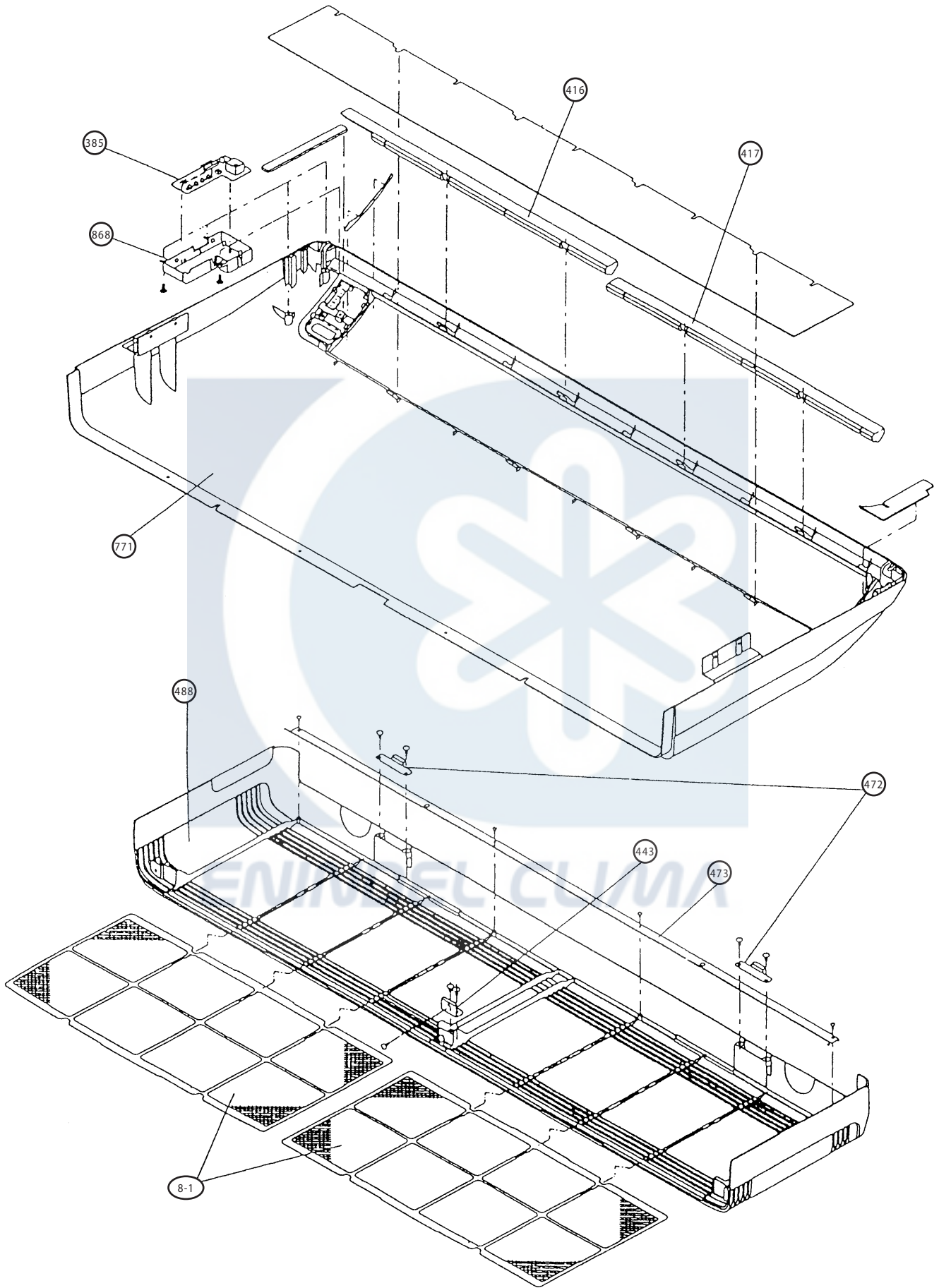
DISASSEMBLY ASSEMBLY

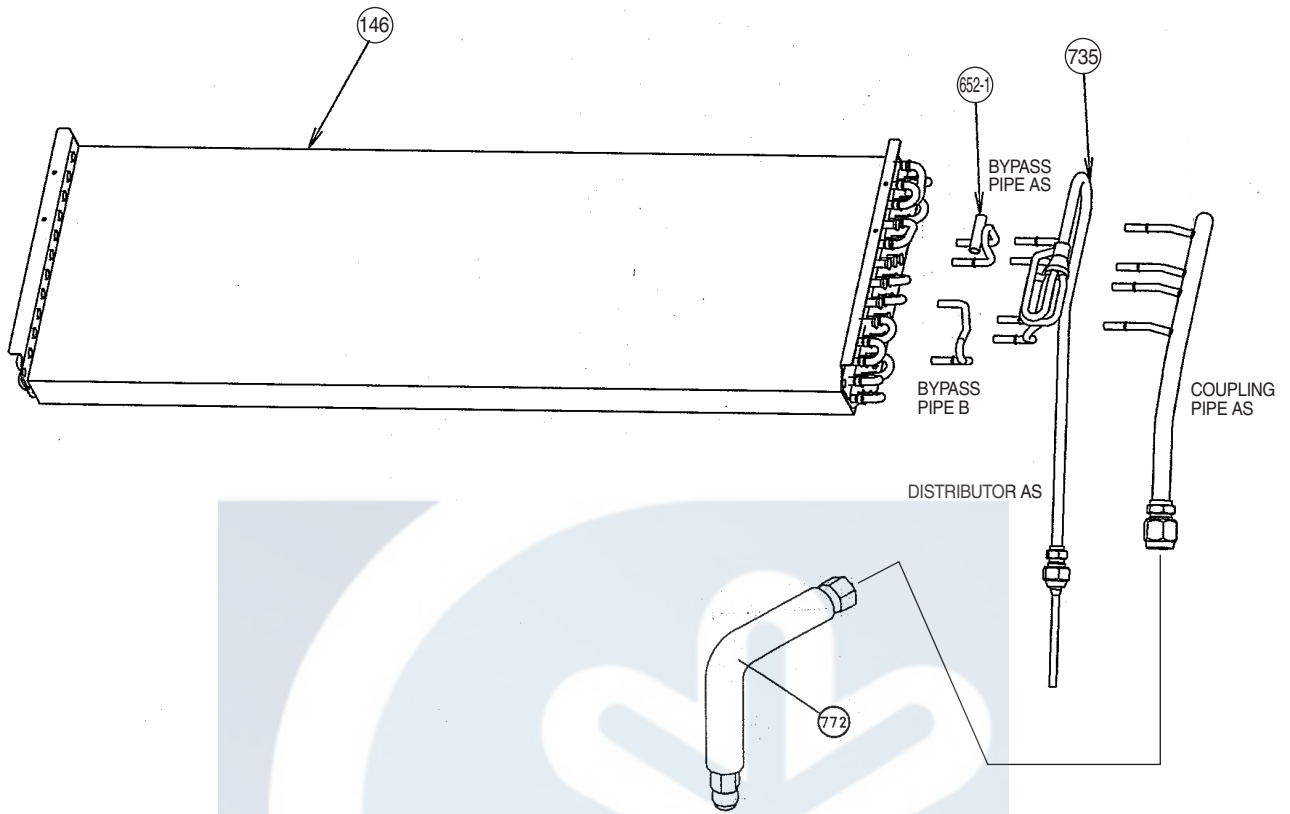
Models : ABG14FBBJ, ABG14UBBJ
ABG18FBBJ, ABG18UBBJ
ABG24FBBJ, ABG24UBBJ



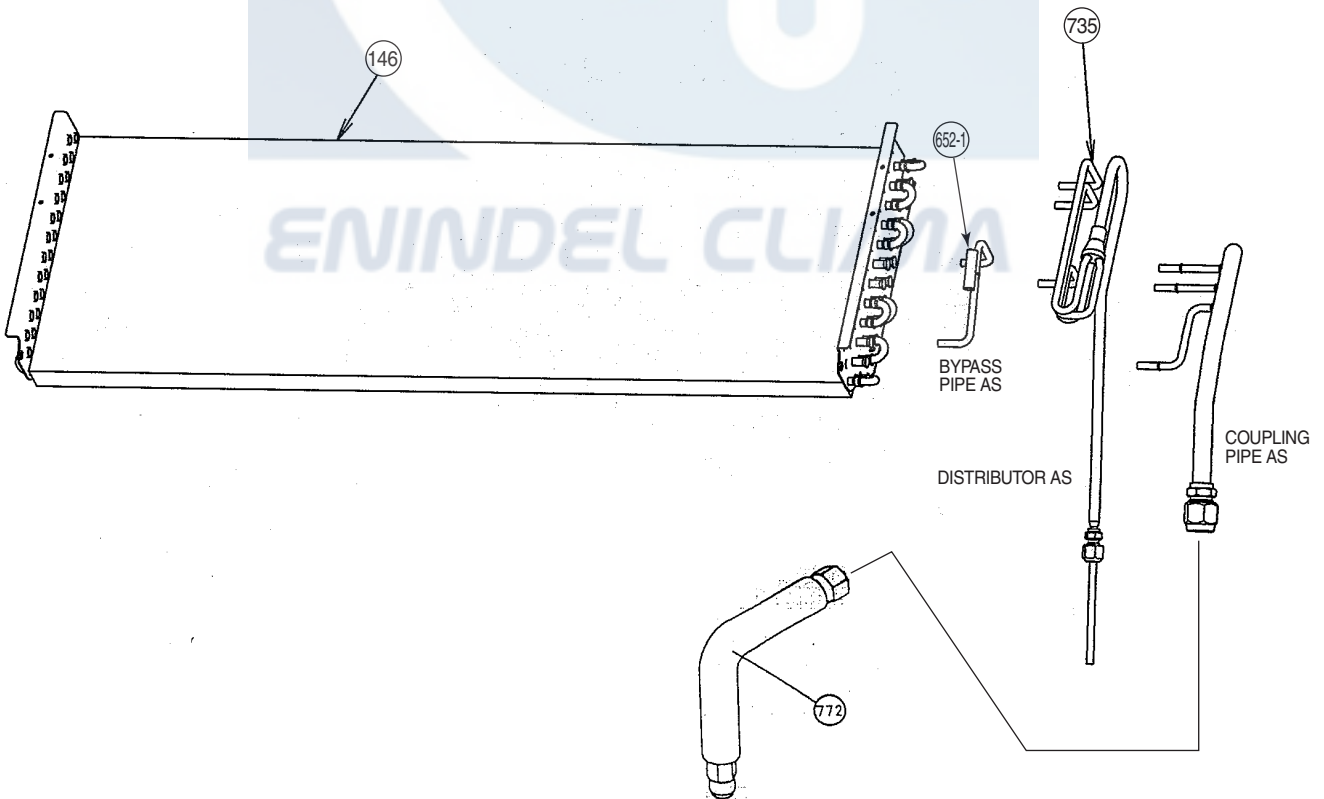




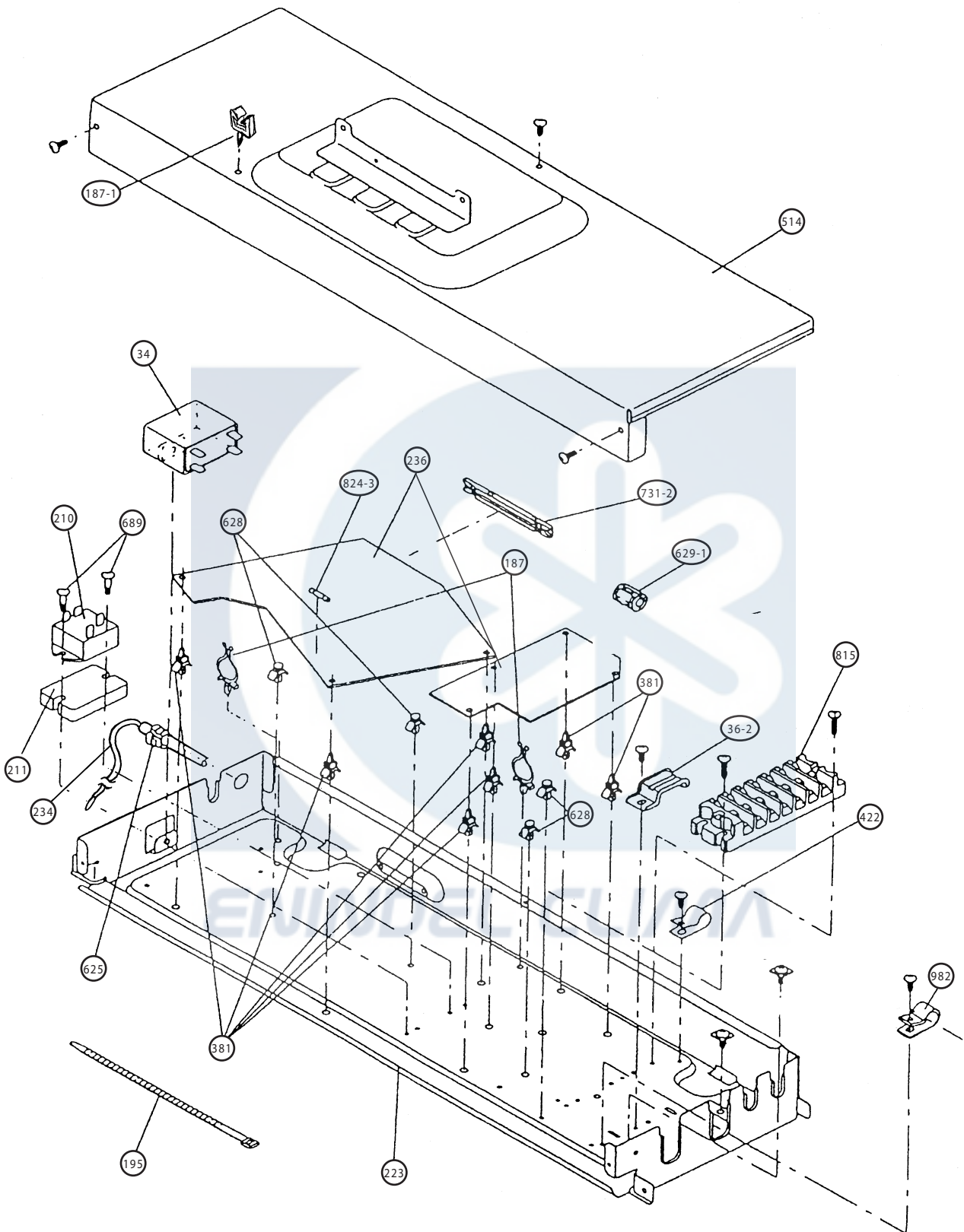


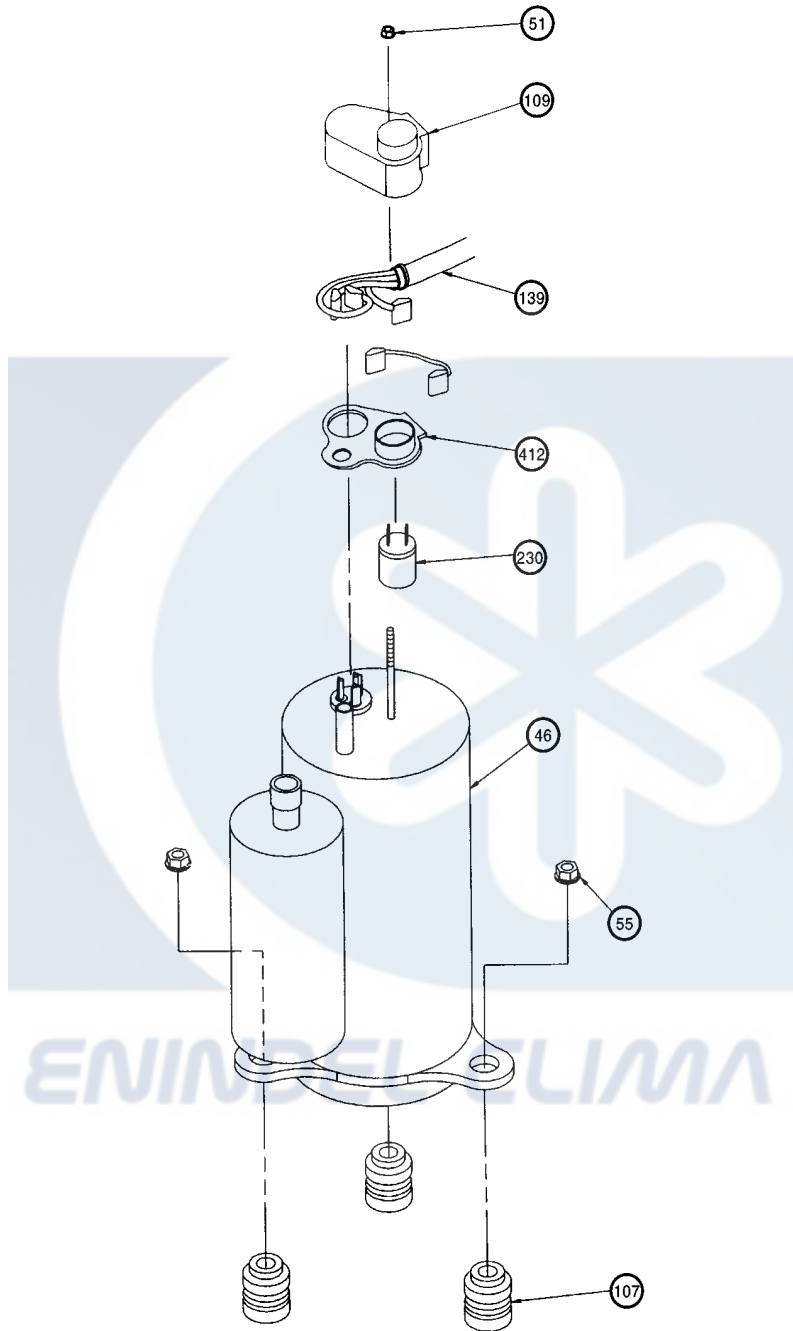


OPTIONAL PARTS

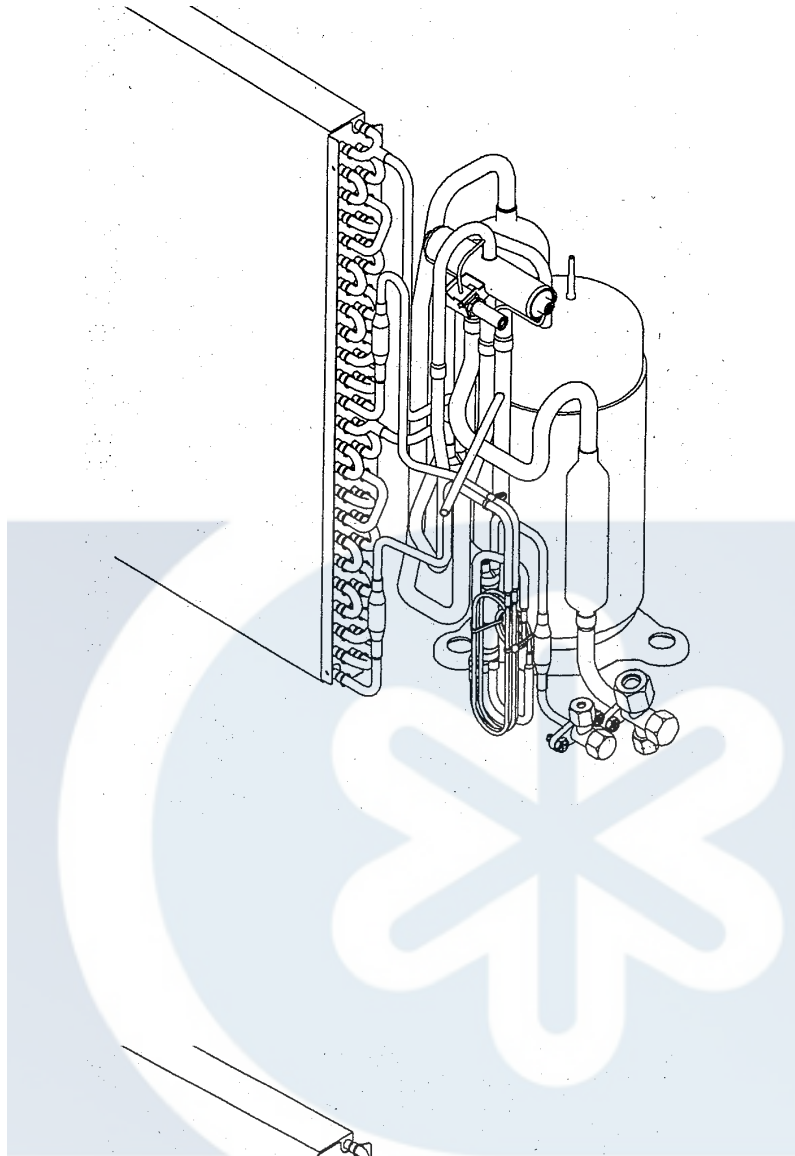


OPTIONAL PARTS

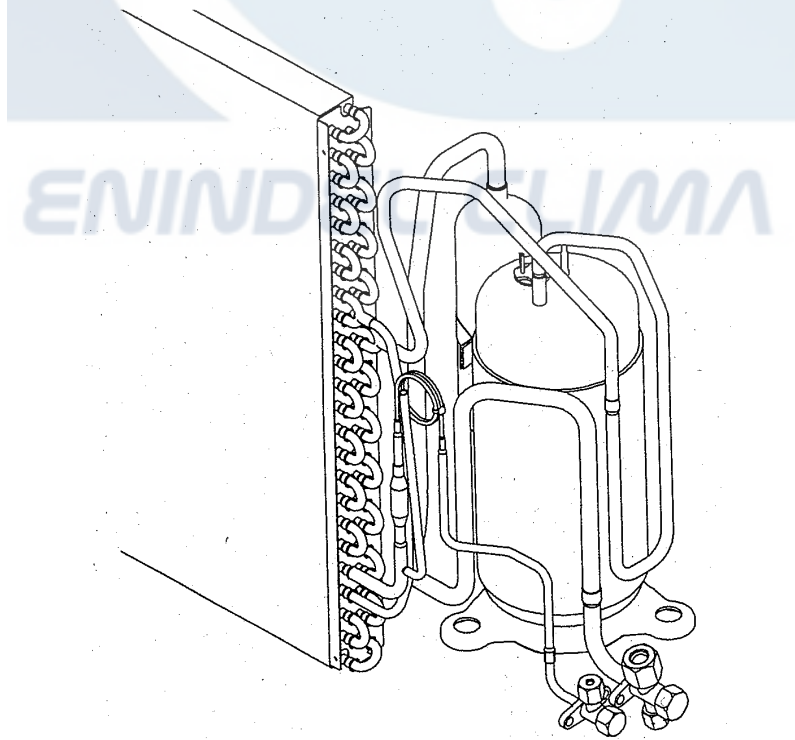




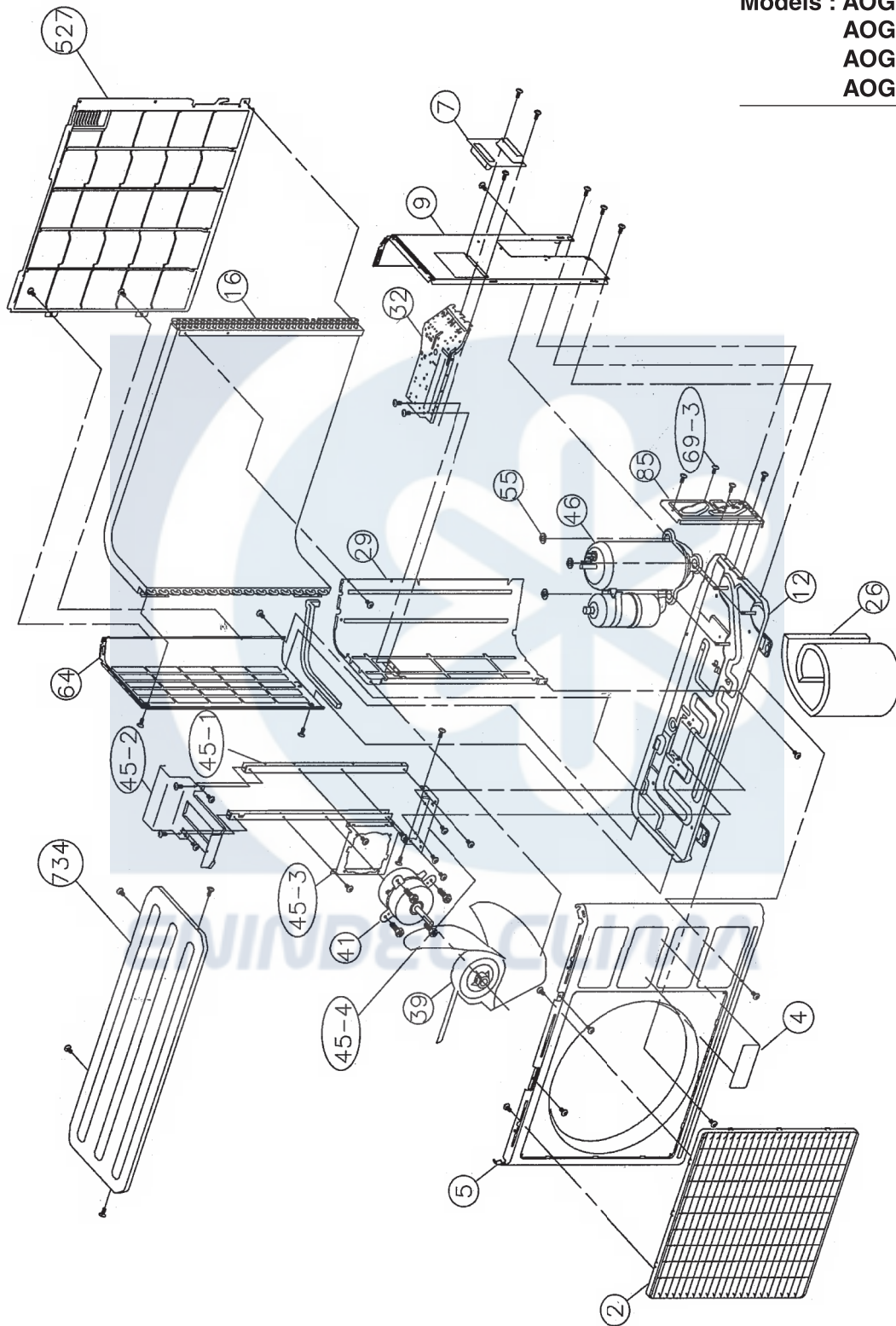
Model : AOG14USDJL



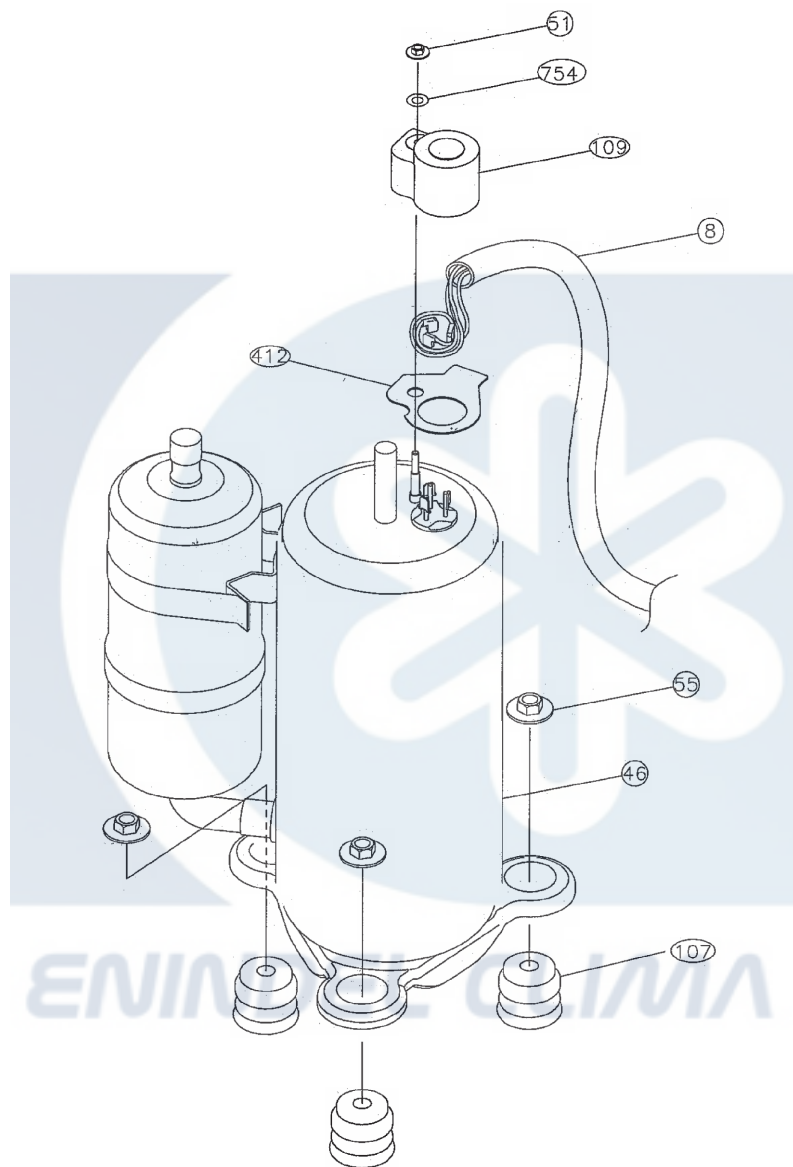
Model : AOG14FSDJ

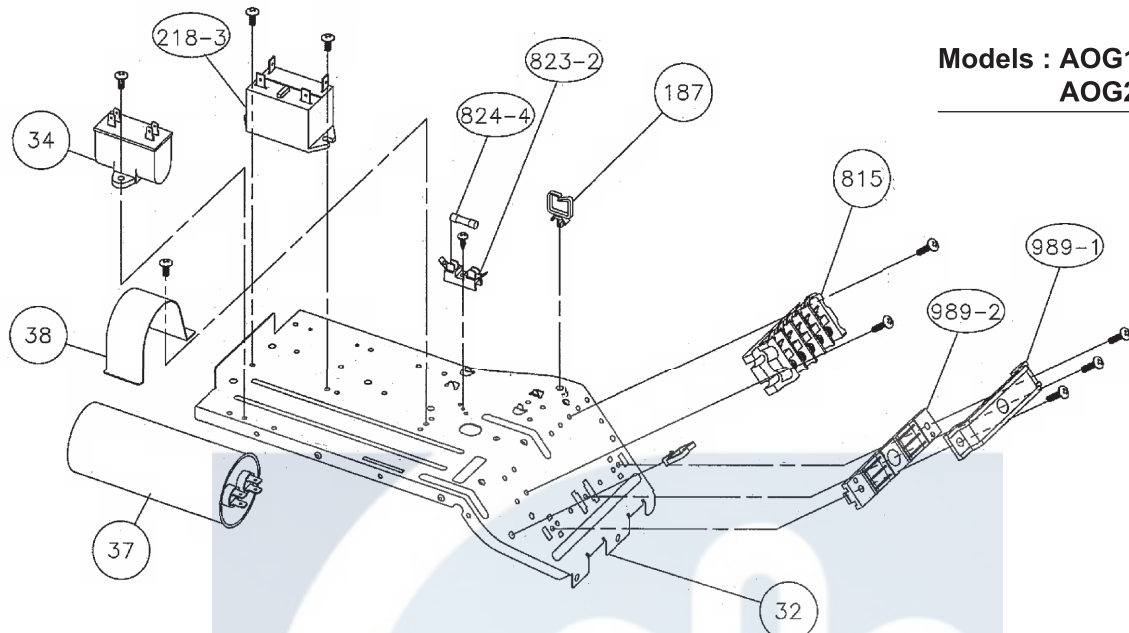


Models : AOG18FNBK
AOG24FNBK
AOG18UNBKL
AOG24UNBKL

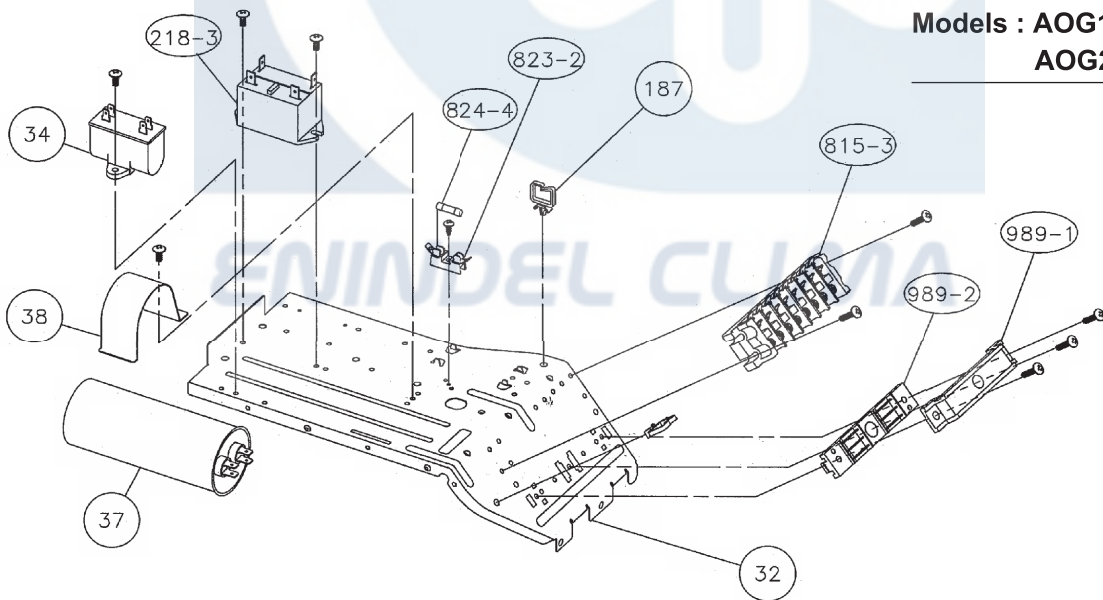


Model : AOG18FNBK
AOG18UNBKL
AOG24FNBK
AOG24UNBKL



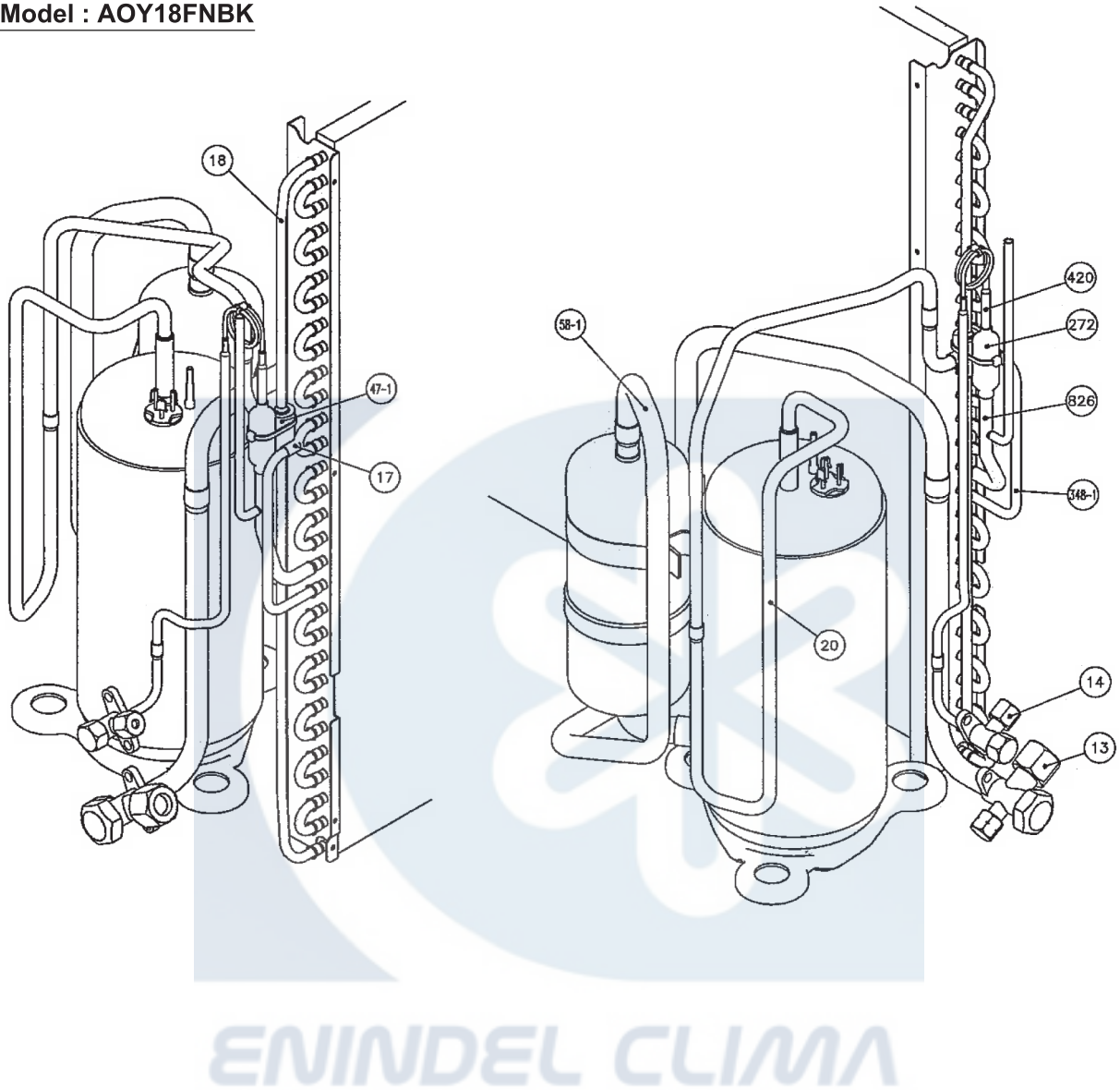


**Models : AOG18FNBK
AOG24FNBK**

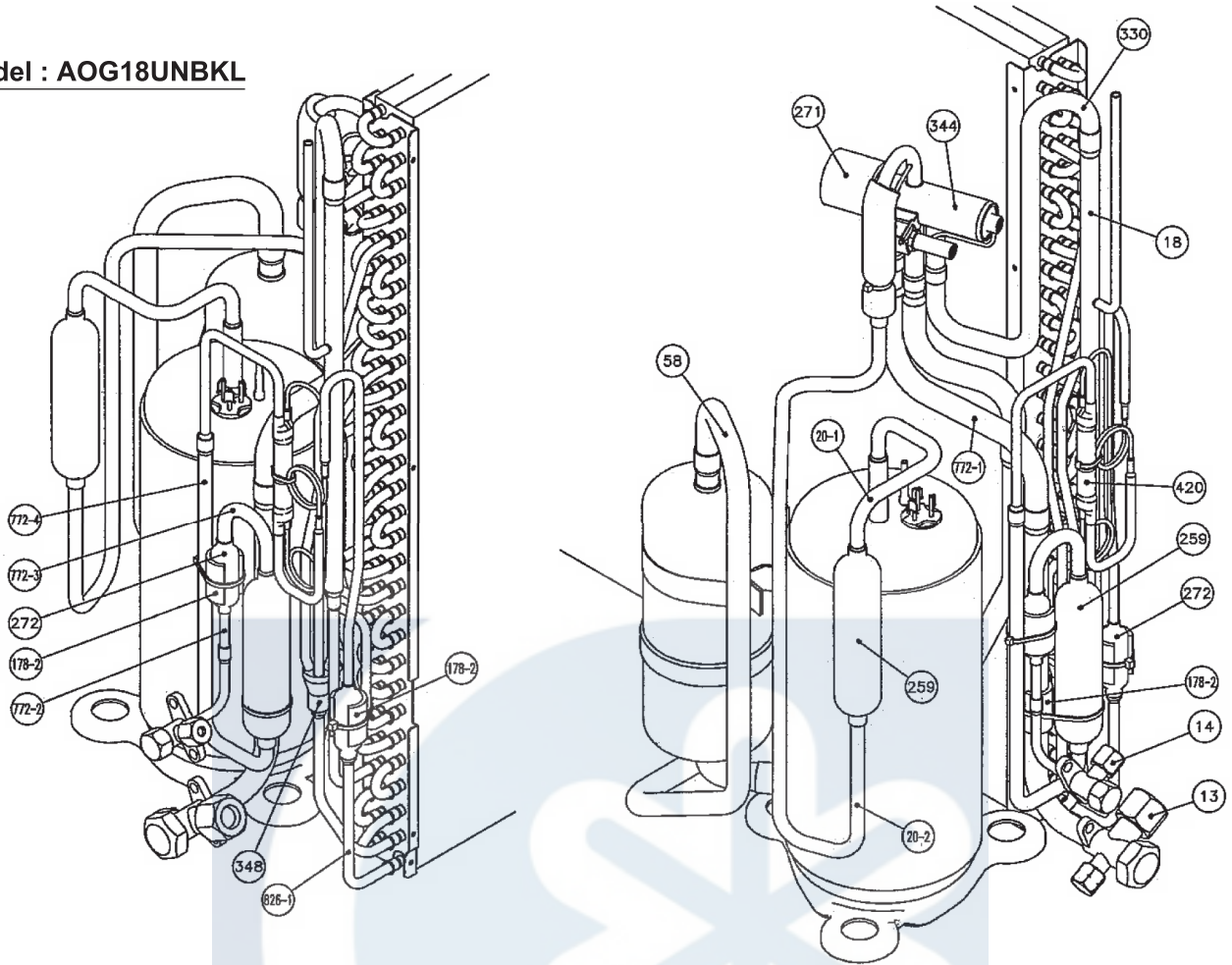


**Models : AOG18UNBKL
AOG24UNBKL**

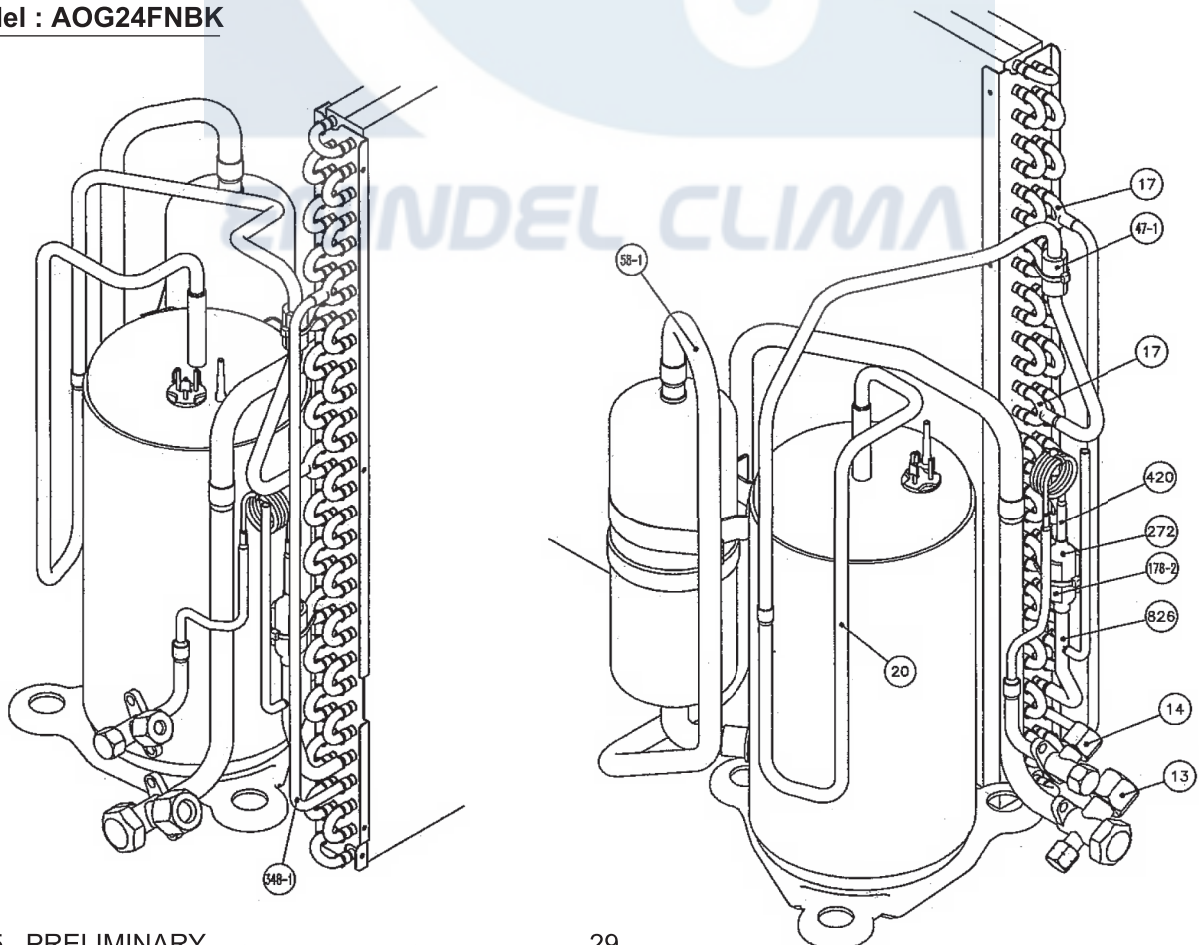
Model : AOY18FNBK



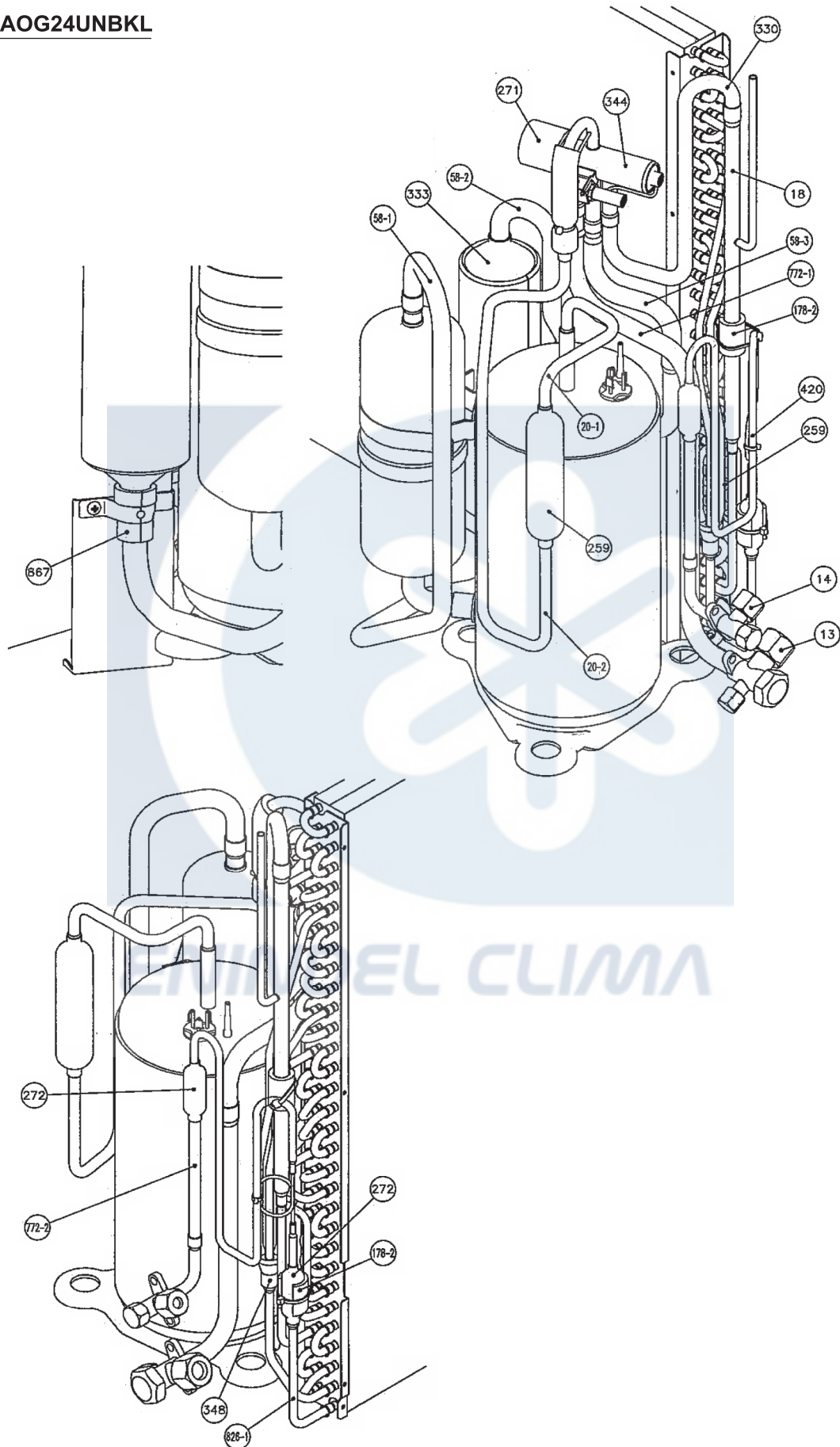
Model : AOG18UNBKL



Model : AOG24FNBK



Model : AOG24UNBKL



PARTS LIST

INDOOR UNIT

When you order parts, please make a photocopy of this page and fill the number of the parts in the "Order" column.

Ref. No.	Description	Part No.						Ord.
		ABG14FBBJ	ABG14UBBJ	ABG18FBBJ	ABG18UBBJ	ABG24FBBJ	ABG24UBBJ	Q'ty
8-1	Air Filter	9358567029	9358567029	9358567029	9358567029	9358567029	9358567029	
34	Capacitor (Fan Motor) 2.3μF/450V	—	—	9703306044	9703306044	9703306044	9703306044	
34	Capacitor (Fan Motor) 1.6μF/400V	9704305039	9704305039	—	—	—	—	
36-2	Cord Holder Metal	9356362008	9356362008	9356362008	9356362008	9356362008	9356362008	
56	Sirocco Fan Assy	9385258006	9385258006	9385258006	9385258006	9385258006	9385258006	
67	Rubber (Vibration-proof)	9385102002	9385102002	9385102002	9385102002	9385102002	9385102002	
69	Louwer	9358561010	9358561010	9358561010	9358561010	9358561010	9358561010	
68	Cap, Plastic	9358563007	9358563007	9358563007	9358563007	9358563007	9358563007	
108	Base Assy	9359061014	9359061014	9359061014	9359061014	9359061014	9359061014	
109	Casing, Plastic	9358543009	9358543009	9358543009	9358543009	9358543009	9358543009	
124	Dew Proof Plate	9359196006	9359196006	9359196006	9359196006	9359196006	9359196006	
126	Motor Fixing Table Assy	9358591000	9358591000	9358591000	9358591000	9358591000	9358591000	
127	Drain Hose Assy	9359242000	9359242000	9359242000	9359242000	9359242000	9359242000	
138	Separate Wall-A	9358584002	9358584002	9358584002	9358584002	9358584002	9358584002	
146	Evaporator Assy KB07	—	—	—	9362513036	9362513036	9362513036	
146	Evaporator Assy KB45	9362513029	9362513029	9362513029	—	—	—	
160	Drain Pan Assy	9358568002	9358568002	9358568002	9358568002	9358568002	9358568002	
164	Fan Motor Assy-IN MFA-24JTT	—	—	—	—	9601527015	9601527015	
164	Fan Motor Assy-IN MFA-18JTT	—	—	9601527022	9601527022	—	—	
164	Fan Motor Assy-IN MFA-14JTT	9601527039	9601527039	—	—	—	—	
173	Hanger Bracket-L	9358596005	9358596005	9358596005	9358596005	9358596005	9358596005	
174	Hanger Bracket-R	9358595008	9358595008	9358595008	9358595008	9358595008	9358595008	
184-1	Thermistor Spring-A	313728262708	313728262708	313728262708	313728262708	313728262708	313728262708	
187	Clamp No. 1219	313361271706	313361271706	313361271706	313361271706	313361271706	313361271706	
187-1	Clip (Cable)	9352715006	9352715006	9352715006	9352715006	9352715006	9352715006	
195	Clamp SKB-100	313361275805	313361275805	313361275805	313361275805	313361275805	313361275805	
196-1	Clamp SKB-3M	312300787605	312300787605	312300787605	312300787605	312300787605	312300787605	
210	Main Relay	9353611017	—	9353611017	—	9353611017	—	
211	Cushion Rubber	313806328306	—	313806328306	—	313806328306	—	
223	Control Box	9358600016	9358600016	9358600016	9358600016	9358600016	9358600016	
227	Badge (ABG Model)	9357914008	9357914008	9357914008	9357914008	9357914008	9357914008	
234	Thermistor Assy-Room	9703299087	9703299087	9703299087	9703299087	9703299087	9703299087	
235	Thermistor Assy-Pipe	9900022020	9900022020	9900022020	9900022020	9900022020	9900022020	
236	Controller PCB Assy	9704557094 (EZ-001LWSE-C)	9704557551 (EZ-00100HSE-C)	9704557216 (EZ-002YWSE-C)	9704557551 (EZ-0021HSE-C)	9704557131 (EZ-002TWSE-C)	9704557148 (EZ-00210HSE-C)	
240	Remote Control Unit AR-JW1	—	9371190013	—	9371190013	—	9371190013	
240	Remote Control Unit AR-JW2	9371190020	—	9371190020	—	9371190020	—	
320	Flap (Upper)-G (ABG Model)	9358539019	9358539019	9358539019	9358539019	9358539019	9358539019	
321	Flap (Lower)	9358541012	9358541012	9358541012	9358541012	9358541012	9358541012	
338	Motor Fixture	9358594001	9358594001	9358594001	9358594001	9358594001	9358594001	
361	Bushing	9357942001	9357942001	9357942001	9357942001	9357942001	9357942001	
361-2	Bushing-B, Plastic	9358554005	9358554005	9358554005	9358554005	9358554005	9358554005	
361-3	Bushing-C, Plastic	9358553008	9358553008	9358553008	9358553008	9358553008	9358553008	
365-1	Special Screw	9359092001	9359092001	9359092001	9359092001	9359092001	9359092001	
365-2	Special Screw	9359091004	9359091004	9359091004	9359091004	9359091004	9359091004	
381	Locking Spacer, KGLS-4S	313209391506	313209391506	313209391506	313209391506	313209391506	313209391506	
385	Indicator PCB Assy EZ-0964HSE-D	9701873012	9701873012	9701873012	9701873012	9701873012	9701873012	
407	Motor Rod	9358560006	9358560006	9358560006	9358560006	9358560006	9358560006	
408	Louwer Link	9358556009	9358556009	9358556009	9358556009	9358556009	9358556009	
416	Insulation (Panel)-A	9358574003	9358574003	9358574003	9358574003	9358574003	9358574003	
417	Insulation (Panel)-B	9358914007	9358914007	9358914007	9358914007	9358914007	9358914007	
418	Insulation (Flap Base)	9358572009	9358572009	9358572009	9358572009	9358572009	9358572009	

INDOOR UNIT (Continued)

When you order parts, please make a photocopy of this page and fill the number of the parts in the "Order" column.

Ref. No.	Description	Part No.						Ord.
		ABG14FBBJ	ABG14UBBJ	ABG18FBBJ	ABG18UBBJ	ABG24FBBJ	ABG24UBBJ	Q'ty
422	Clamp NK-10N	9359183006	9359183006	9359183006	9359183006	9359183006	9359183006	
439	Drain Pan Wire	9358598009	9358598009	9358598009	9358598009	9358598009	9358598009	
443	Arm Bracket	9359281009	9359281009	9359281009	9359281009	9359281009	9359281009	
470	Separate Wall-B	9358585009	9358585009	9358585009	9358585009	9358585009	9358585009	
472	Grille Support	9358602003	9358602003	9358602003	9358602003	9358602003	9358602003	
473	Filter Bracket	9358607008	9358607008	9358607008	9358607008	9358607008	9358607008	
488	Grill-G (ABG Model)	9358533017	9358533017	9358533017	9358533017	9358533017	9358533017	
500	Protect Cover	9358564004	9358564004	9358564004	9358564004	9358564004	9358564004	
502	Support Stay	9358599006	9358599006	9358599006	9358599006	9358599006	9358599006	
503	Louver Shaft	9358557006	9358557006	9358557006	9358557006	9358557006	9358557006	
505	Louver Stopper	9358555002	9358555002	9358555002	9358555002	9358555002	9358555002	
506	Louver Rod	9358559000	9358559000	9358559000	9358559000	9358559000	9358559000	
508	Cosmetic Panel-R	9358535011	9358535011	9358535011	9358535011	9358535011	9358535011	
509	Cosmetic Panel-L	9358536018	9358536018	9358536018	9358536018	9358536018	9358536018	
514	Control Box Cover	9359097006	9359097006	9359097006	9359097006	9359097006	9359097006	
520	Flap Base	9358537015	9358537015	9358537015	9358537015	9358537015	9358537015	
521	Louver Link Cover	9358558003	9358558003	9358558003	9358558003	9358558003	9358558003	
552	Insulation (Eva.)-R	9358575000	9358575000	9358575000	9358575000	9358575000	9358575000	
553	Insulation (Eva.)-L	9358857007	9358857007	9358857007	9358857007	9358857007	9358857007	
554	Flap Link-Upper (Step Motor-V)	9358551004	9358551004	9358551004	9358551004	9358551004	9358551004	
555	Flap Link-Lower (Step Motor-V)	9358552001	9358552001	9358552001	9358552001	9358552001	9358552001	
558	Motor Rod-A (Step Motor-V)	9358550007	9358550007	9358550007	9358550007	9358550007	9358550007	
574-1	Evaporator Fixture-R (Bracket)	9358589007	9358589007	9358589007	9358589007	9358589007	9358589007	
574-2	Evaporator Fixture-L (Bracket)	9358590003	9358590003	9358590003	9358590003	9358590003	9358590003	
577	Catch TL-119	9359096009	9359096009	9359096009	9359096009	9359096009	9359096009	
578	Base Bracket (Reinforcement Metal)	9358586006	9358586006	9358586006	9358586006	9358586006	9358586006	
580	Top Cover	9358534014	9358534014	9358534014	9358534014	9358534014	9358534014	
581	Protector, Metal (Fan Motor)	9359282006	9359282006	9359282006	9359282006	9359282006	9359282006	
588-1	Evaporator Bracket-R	9358587003	9358587003	9358587003	9358587003	9358587003	9358587003	
588-2	Evaporator Bracket-L	9358588000	9358588000	9358588000	9358588000	9358588000	9358588000	
625	Cord Bushing KR-51	9359240006	9359240006	9359240006	9359240006	9359240006	9359240006	
628	Locking Spacer-B	313005446558	313005446558	313005446558	313005446558	313005446558	313005446558	
629-1	EMI Filter	0400247074	0400247074	0400247074	0400247074	0400247074	0400247074	
652-1	Thermistor Holder Pipe	313806262805	313806262805	313806262805	313806262805	313806262805	313806262805	
653-1	Bolt (Fan Motor Fixing)	0700156014	0700156014	0700156014	0700156014	0700156014	0700156014	
653-2	Bolt 0700190018	0700190018	0700190018	0700190018	0700190018	0700190018	0700190018	
684	Motor Base	9358562000	9358562000	9358562000	9358562000	9358562000	9358562000	
689	Screw, Grip Tapping SN+4016 ZNY w/Grip	9357837000	—	9357837000	—	9357837000	—	
731-2	Holder (Guide Rail)	0600241018	0600241018	0600241018	0600241018	0600241018	0600241018	
743	Remote Control Unit Holder	9305642014	9305642014	9305642014	9305642014	9305642014	9305642014	
755	Casing Cover	9358544006	9358544006	9358544006	9358544006	9358544006	9358544006	
764	Drain Cap	9358746004	9358746004	9358746004	9358746004	9358746004	9358746004	
771	Panel Assy (ABG Model)	9359076025	9359076025	9359076025	9359076025	9359076025	9359076025	
735	DISTRIBUTOR AS	9373034018	9373034018	9373034018	9373034032	9373034025	9373034025	
	COUPRING PIPE ASSY	9373038061	9373038061	9373038061	9373038023	9373038023	9373038023	
	BYPASS PIPE ASSY	9373032014	9373032014	9373032014	9373032021	9373032021	9373032021	
	BYPASS PIPE B	—	—	—	9371346038	9371346038	9371346038	
815-1	Terminal 3P	9900203016	—	—	—	—	—	
815	Terminal 7P	—	9358660102	—	9358660102	—	9358660102	
824-3	Fuse BET3.15A - 250V	0600222512	0600222512	0600222512	0600222512	0600222512	0600222512	
868	PCB Holder	9358547007	9358547007	9358547007	9358547007	9358547007	9358547007	
870-1	Arm	9358565001	9358565001	9358565001	9358565001	9358565001	9358565001	
870-2	Center Arm	9359280002	9359280002	9359280002	9359280002	9359280002	9359280002	
875	Power Supply PCB Assy	9704561022 (EZ-00101HSE-P)	9704561022 (EZ-00101HSE-P)	9704561022 (EZ-00101HSE-P)	9704561077 (EZ-00210HSE-P)	9704561022 (EZ-00101HSE-P)	9704561077 (EZ-00210HSE-P)	
876-1	Step Motor-H	9359106012	9359106012	9359106012	9359106012	9359106012	9359106012	
876-2	Step Motor-V	9359105015	9359105015	9359105015	9359105015	9359105015	9359105015	
923	Control Box Bracket	9358717004	9358717004	9358717004	9358717004	9358717004	9358717004	
982	Cord Clamp	9357864006	9357864006	—	9357886008	—	9357886008	

OPTIONAL PARTS FOR INDOOR UNIT

Ref. No.	Description	Part No.	Q'ty
772	Joint Pipe-A	9302812021	

OUTDOOR UNIT

When you order parts, please make a photocopy of this page and fill the number of the parts in the "Order" column.

Ref. No.	Description	Part No.		Ord.
		AOG14FSDJ	AOG14USDJL	Q'ty
2	Fan Cover	9304109006	9304109006	
4	Emblem-Rear (AOY Model)	9351355005	9351355005	
4	Emblem-Rear (AOG Model)	313698088313	313698088313	
5	Cabinet, Painted	9302936017	9302936017	
7	Connector Cover (Cabinet)	9357970004	9357970004	
9	Cabinet Rear Panel	9303744017	9303744017	
12	Base Assy, Painted	9310889077	9310889077	
13	3-Way Valve	9372205105	9389312087	
14	2-Way Valve	9372204030	9389311110	
16	Condenser Assy	9373131045	9373131014	
18	Suction Pipe	9364832005	9364827001	
19	Capillary Tube	9364835006	—	
20	Discharge Pipe Assy	9364830001	—	
20	Discharge Pipe	—	9364826004	
32-2	Control Box Metal-A	9355843003	9355843003	
34	Capacitor (Fan Motor)	9704305039	9704305039	
37	Running Capacitor	9356386066	9356386066	
38	Capacitor Clamp Metal	313468061808	313468061808	
39	Propeller Fan Assy	9351589011	9351589011	
42	Bracket (Motor)	313166243804	313166243804	
51	Special Nut M5 (For Comp.)	9359430018	9359430018	
55	Special Nut M8 (For Comp.)	9355091008	9355091008	
98	Fan Ring	313166296109	313166296109	
105	Compressor Assy	9364723006	9364723006	
107	Rubber Seat-A (For Comp.)	9359425014	9359425014	
109	Terminal Cover (For Comp.)	9364724003	9364724003	
138	Separate Wall Assy	9303729014	9303729014	
164	Fan Motor Assy-Out	9601113010	9601113010	
259	Muffler	—	313505083900	
272	Strainer	9357309002	9301340006	
329	Coupling Pipe Assy	—	9352375002	
332-3	Suction Pipe-A	—	9352384004	
343	Solenoid	—	9704061034	
344	4-Way Valve	—	9307556012	
373	Grip	313166178700	313166178700	
412	Terminal Gasket (For Comp.)	9364725000	9364725000	
420	Capillary Assy	—	9370336016	
423	Noise Insulation-F	9350944019	9350944019	
456	Pipe-A	9352267017	—	
527	Protection Net	9355444002	9355444002	
582	Discharge Pipe-F	9301425017	—	
734	Cabinet Top Plate	9302937014	9302937014	
744	Clamp (Condenser)	313166374106	313166374106	
745	Motor Support	313166036308	313166036308	
815	Terminal 3P	9355901424	—	
815	Terminal 4P	—	9358660041	
826	Condensing Pipe-B	—	313299175852	
982-1	Cord Clamp	9356857009	9356857009	
982-2	Cord Clamp-B	9356858006	9356858006	
987	Insulation Sheet	9358372005	9358372005	

When you order parts, please make a photocopy of this page and fill the number of the parts in the "Order" column.

OUTDOOR UNIT (Continued)

Ref. No.	Description	Part No.		Ord. Q'ty
		AOG18FNBK	AOG24FNBK	
2	Fan Guard	9371187013	9371187013	
4	Emblem-Rear	9372171011	9372171011	
5	Front Panel Ptd	9371924014	9371924014	
7	Connector Cover (Cabinet)	9366398004	9366398004	
8	Wire Assy (Comp)	9372334010	9372334010	
9	Side Panel R Ptd	9371927015	9371927015	
12	Base Assy, Ptd	9371920054	9371920016	
13	3-Way Valve Assy	9372205013	9372205013	
14	2-Way Valve Assy	9372204016	9372204023	
16	Condenser Assy	9372181041	9372181027	
26	Compressor Cover	9372327012	9372327012	
29	Separate Wall	9371933016	9371933016	
32	Control Box	9371935010	9371935010	
34	Capacitor, Plastic	9900130022	9900130022	
37	Running Capacitor	9703107122	9703107023	
38	Capacitor Clamp Metal	9351770013	313791061807	
39	Propeller Fan Assy	9366378013	9366378013	
41	Motor Induct	9601671022	9601671022	
45-1	Motor Bracket	9371929019	9371929019	
45-2	Motor Bracket-Top	9371931012	9371931012	
45-3	Motor Bracket Center	9371930015	9371930015	
45-4	Motor Bracket Bottom	9371932019	9371932019	
46	Compressor Assy	9372558027	9372558010	
47-1	Rubber (Discharge Pipe)	313194159807	313194159807	
51	Special Nut M5	9300301015	9300301015	
55	Special Nut M8	9355091008	9355091008	
64	Side Panel L Ptd	9371926018	9371926018	
69-3	Bolt, Hex. Socket	301210060360	301210060360	
85	Valve Plate Ptd	9371928012	9371928012	
107	Rubber Seat-A	9351049010	9351049010	
109	Terminal Cover (Comp)	9371511016	9371511016	
187	Clip (Cable)	9352715006	9352715006	
218-3	Relay	9900074012	9900074012	
272	Strainer	9369287008	9369287008	
412	Cover Gasket (Comp.)	9371512013	9371512013	
527	Protective Net	9371934013	9371934013	
734	Top Plate	9371925011	9371925011	
735-3	Capillary Assy	9372197066	9372197059	
754	Terminal Gask. Washer	9351053017	9351053017	
815	Terminal-5P	9356497021	9356497021	
823-3	Fuse Holder	0500063024	0500063024	
824-4	Fuse	0600222529	0600222529	
982-1	Cord Clamp-A	9359822011	9359822011	
982-2	Cord Clamp-B	9359823018	9359823018	

Ref. No.	Description	Part No.		Ord. Q'ty
		AOG18UNBKL	AOG24UNBKL	
2	Fan Guard	9371187013	9371187013	
4	Emblem-Rear	9372171011	9372171011	
5	Front Panel Ptd	9371924014	9371924014	
7	Connector Cover (Cabinet)	9366398004	9366398004	
8	Wire Assy (Comp)	9372334010	9372334010	
9	Side Panel R Ptd	9371927015	9371927015	
12	Base Assy, Ptd	9371920054	9371920016	
13	3-Way Valve Assy	9372205013	9372205013	
14	2-Way Valve Assy	9372204016	9372204023	
16	Condenser Assy	9372181034	9372181010	
26	Compressor Cover A	9372327012	9372327012	
29	Separate Wall	9371933016	9371933016	
32	Control Box	9371935010	9371935010	
34	Capacitor, Plastic	9900130022	9900130022	
37	Running Capacitor	9703107122	9703107023	
38	Capacitor Clamp Metal	9351770013	313791061807	
39	Propeller Fan Assy	9366378013	9366378013	
41	Motor Induct	9601671015	9601671015	
45-1	Motor Bracket	9371929019	9371929019	
45-2	Motor Bracket-Top	9371931012	9371931012	
45-3	Motor Bracket Ctr	9371930015	9371930015	
45-4	Motor Bracket Bottom	9371932019	9371932019	
46	Compressor Assy	9372558027	9372558010	
51	Special Nut M5	9300301015	9300301015	
55	Special Nut M8	9355091008	9355091008	
64	Side Panel L Ptd	9371926018	9371926018	
69-3	Bolt, Hex. Socket	301210060360	301210060360	
85	Valve Plate Ptd	9371928012	9371928012	
107	Rubber Seat-A	9351049010	9351049010	
109	Terminal Cover (Comp)	9371511016	9371511016	
187	Clip (Cable)	9352715006	9352715006	
199	Br Sheet	9363708059	-----	
218-3	Relay	9900074012	9900074012	
259	Muffler	9372369012	-----	
271	4-Way Valve Rubber	313728251908	313728251908	
272	Strainer	9369287008	9369287008	
333	Accumulator	-----	9368391003	
343	Solenoid	9900165017	9900165017	
344	4-Way Valve	9970036019	9900163013	
361	Accum Support Assy	-----	9372252017	
412	Cover Gasket (Comp.)	9371512013	9371512013	
527	Protective Net	9371934013	9371934013	
734	Top Panel	9371925011	9371925011	
735-3	Capillary Assy	9372197042	9372197028	
754	Terminal Gask. Washer	9351053017	9351053017	
815-3	Terminal-5P	9358660119	9358660119	
823-2	Fuse Holder	0500063024	0500063024	
824-4	Fuse	0600222529	0600222529	
982-1	Cord Clamp-A	9359822011	9359822011	
982-2	Cord Clamp-B	9359823018	9359823018	

STANDARD ACCESSORIES

The following installation parts are furnished. Use them as required.

INDOOR UNIT ACCESSORIES

Name and Shape	Q'ty	Application
Cover plate (left) 	1	
Cover plate (right) 	1	
Tapping screw (Ø4x10) 	2	
Installation template 	1	For positioning the indoor unit For under ceiling type
Bracket (left) 	1	For suspending the indoor unit from ceiling
Bracket (right) 	1	
Anchor bolt (M12) 	4	
Spring washer 	4	
Special nut 	4	
Wall bracket 	2	For suspending the indoor unit on the wall.
Tapping screw (Ø4x20) 	6	For fixing the wall bracket.
Coupler heat insulator (large) 	1	For indoor side pipe joint (Large pipe)
Coupler heat insulator (small) 	1	For indoor side pipe joint (Small pipe)
Nylon fastener 	1	For fixing the drain hose

Name and Shape	Q'ty	Application
Drain hose 	1	
Insulation (drain hose) 	1	Adhesive type 70 x 230
VT wire 	1	For fixing the drain hose L 280 mm
Remotecontrol unit 	1	Use for air conditioner operation
Battery (penlight) 	2	For remote control unit
Remotecontrol unit holder 	1	Use as remote control unit holder
Tapping screw (Ø3x12) 	2	For remote control unit holder installation

OUTDOOR UNIT ACCESSORIES

Name and Shape	Q'ty	Application
Drain pipe 	1	For outdoor unit drain piping work
Drain cap 	2	[Heat & Cool model (Reverse cycle) only]

OPTIONAL PARTS FOR INDOOR UNIT

Name and Shape	Part No.	Application
Joint pipe-A 	9302812021	For indoor side pipe joint

