

# SPLIT TYPE AIR CONDITIONER DUCT type (50Hz)

# SERVICE MANUAL

Refrigerant  
**R410A**



ENINDEL CLIMA

## Models

### Indoor unit

ARY25FUAN

ARY25FUAN

ARY25UUAN

ARY25UUAN

### Outdoor unit

AOY25FNAKL

AOY25FNANL

AOY25UNAKL

AOY25UNANL

## CONTENTS

|                                   |    |
|-----------------------------------|----|
| SPECIFICATIONS .....              | 1  |
| OUTLINE AND DIMENSIONS .....      | 2  |
| REFRIGERANT SYSTEM DIAGRAM .....  | 4  |
| CIRCUIT DIAGRAM .....             | 5  |
| INDOOR PCB CIRCUIT DIAGRAM .....  | 7  |
| OUTDOOR PCB CIRCUIT DIAGRAM ..... | 9  |
| ERROR CONTENTS .....              | 10 |
| DISASSEMBLY ILLUSTRATION .....    | 12 |
| PARTS LIST .....                  | 20 |
| ACCESSORIES .....                 | 23 |

# SPECIFICATIONS

|                         |                          |                          |
|-------------------------|--------------------------|--------------------------|
| <b>TYPE</b>             | COOLING                  | COOL & HEAT              |
| <b>INDOOR UNIT</b>      | ARY25FUAN                | ARY25UUAN                |
| <b>OUTDOOR UNIT</b>     | AOY25FNAKL<br>AOY25FNANL | AOY25UNAKL<br>AOY25UNANL |
| <b>COOLING CAPACITY</b> | 7.05 kW                  | 7.00 kW                  |
| <b>HEATING CAPACITY</b> | -----                    | 7.70 kW                  |

## ELECTRICAL DATA

|                         |          |            |            |
|-------------------------|----------|------------|------------|
| <b>POWER SOURCE</b>     | 230 V    |            |            |
| <b>FREQUENCY</b>        | 50 Hz    |            |            |
| <b>RUNNING CURRENT</b>  | COOLING  | 11.5 A     | 11.8 A     |
|                         | HEATING  | -----      | 10.5 A     |
| <b>INPUT WATTS</b>      | COOLING  | 2.60 kW    | 2.65 kW    |
|                         | HEATING  | -----      | 2.33 kW    |
| <b>E.E.R.</b>           | COOLING  | 2.71 kW/kW | 2.64 kW/kW |
|                         | HEATING  | -----      | 3.30 kW/kW |
| <b>STARTING CURRENT</b> | 60 A     |            |            |
| <b>MOISTURE REMOVAL</b> | 2.5 L/hr |            |            |

Note :  
The above list shows values at the external static pressure of 98Pa (10mm Ag), setting the fan speed high notch.

|                                |                |                          |               |
|--------------------------------|----------------|--------------------------|---------------|
| <b>FAN SPEED</b>               | DISCRIMINATION |                          | MFA-30PTT     |
|                                | INDOOR         | HIGH                     | 1,200 r.p.m.  |
|                                |                | MED                      | 1,120 r.p.m.  |
|                                |                | LOW                      | 1,030 r.p.m.  |
|                                | OUTDOOR        | 780 r.p.m.               |               |
| <b>AIR FLOW</b>                | INDOOR         | 1,100 m <sup>3</sup> /hr |               |
|                                | OUTDOOR        | 3,200 m <sup>3</sup> /hr |               |
| <b>DIMENSIONS</b><br>H x W x D | INDOOR         | 270 x 1,135 x 700 mm     |               |
|                                | OUTDOOR        | 650 x 830 x 320 mm       |               |
| <b>WEIGHT</b><br>NET / GROSS   | INDOOR         | 43 kg / 50 kg            |               |
|                                | OUTDOOR        | 58 kg / 62 kg            | 59 kg / 63 kg |
| <b>MAX PIPE LENGTH</b>         |                | 25 m                     |               |
| <b>MAX PIPE HEIGHT</b>         |                | 15 m                     |               |
| <b>REMOTE CONTROLLER TYPE</b>  |                | WIRED                    |               |

Note :  
The above list shows values at the external static pressure of 98Pa (10mm Ag), setting the fan speed high notch.

## NOISE LEVEL

|                     |           |       |       |
|---------------------|-----------|-------|-------|
| <b>INDOOR UNIT</b>  | HI-SPEED  | 38 dB |       |
|                     | MED-SPEED | 36 dB |       |
|                     | LO-SPEED  | 34 dB |       |
| <b>OUTDOOR UNIT</b> | COOLING   | 53 dB | 53 dB |
|                     | HEATING   | ----  | 54 dB |

Note : Static pressure : 100Pa  
Duct length : Inlet 1m, Outlet 2m

## COMPRESSOR

|                       |  |         |         |
|-----------------------|--|---------|---------|
| <b>TYPE</b>           | Hermetic type, 2 pole,<br>Single phase,<br>Induction motor, Rotary |         |         |
| <b>DISCRIMINATION</b> | 5JS290DAA  |         |         |
| <b>REFRIGERANT</b>    | <b>R410A</b>   | 1,550 g | 2,000 g |

## REFRIGERANT CHARGE (R410A)

|                               |             |                              |                              |                      |
|-------------------------------|-------------|------------------------------|------------------------------|----------------------|
| <b>FULL CHARGE</b>            | Pipe Length | 7.5 m<br>(24 ft.)            | 1,550 g<br>(54.7 oz)         | 2,000 g<br>(70.6 oz) |
|                               |             | 10 m<br>(33 ft.)             | 1,600 g<br>(56.4 oz)         | 2,100 g<br>(74.1 oz) |
|                               |             | 15 m<br>(49 ft.)             | 1,700 g<br>(60.0 oz)         | 2,300 g<br>(81.1 oz) |
|                               |             | 20 m<br>(66 ft.)             | 1,800 g<br>(63.5 oz)         | 2,500 g<br>(88.2 oz) |
|                               |             | 25 m<br>(82 ft.)             | 1,900 g<br>(67.0 oz)         | 2,700 g<br>(95.2 oz) |
| <b>ADDITIONAL REFRIGERANT</b> |             | 20 g / m<br>(0.212 oz / ft.) | 40 g / m<br>(0.424 oz / ft.) |                      |

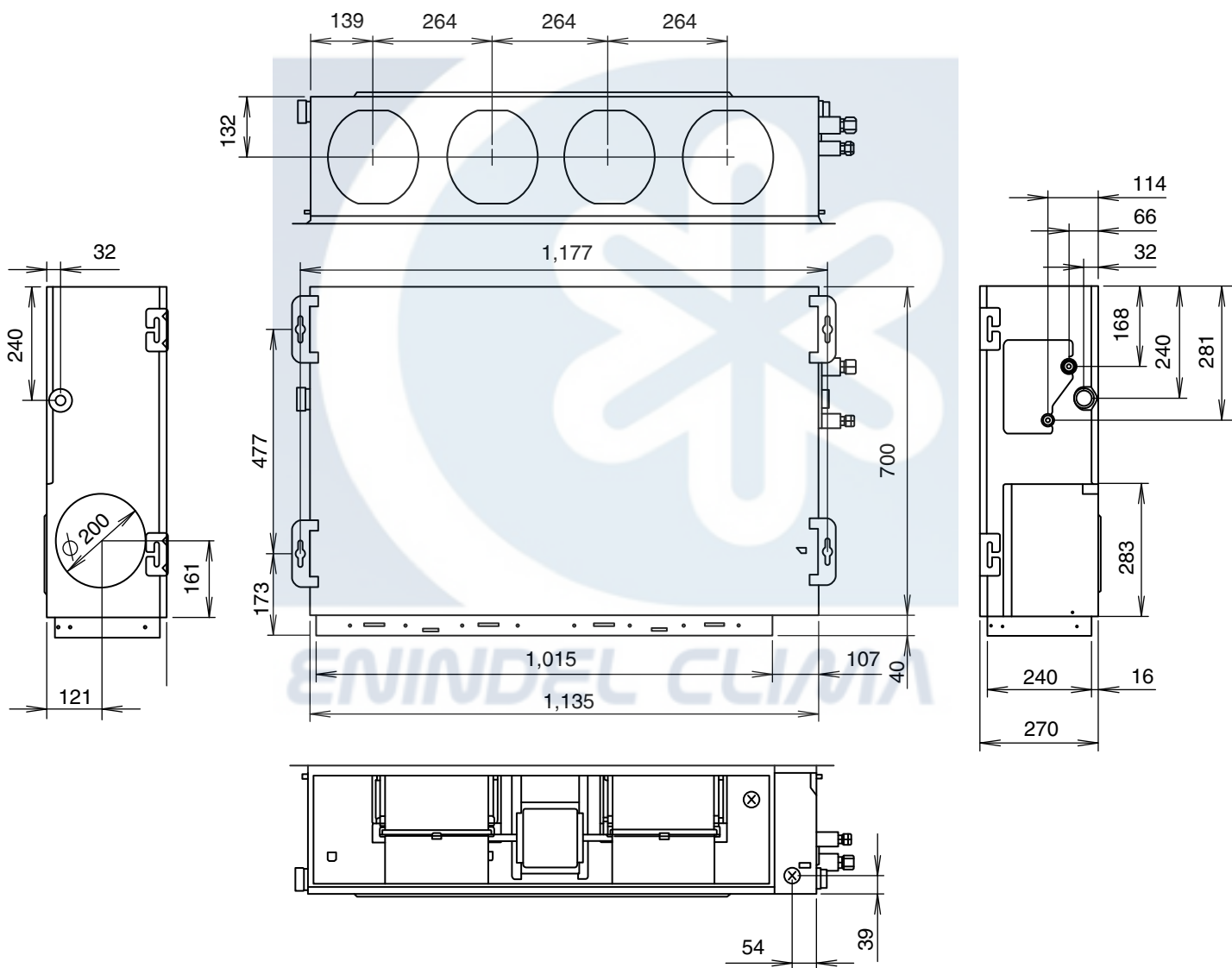
When you dismantle indoor units which are installed,  
take care not to make parts fall down, especially motors.

# DIMENSIONS

## INDOOR UNIT

Models : ARY25FUAN, ARY25UUAN

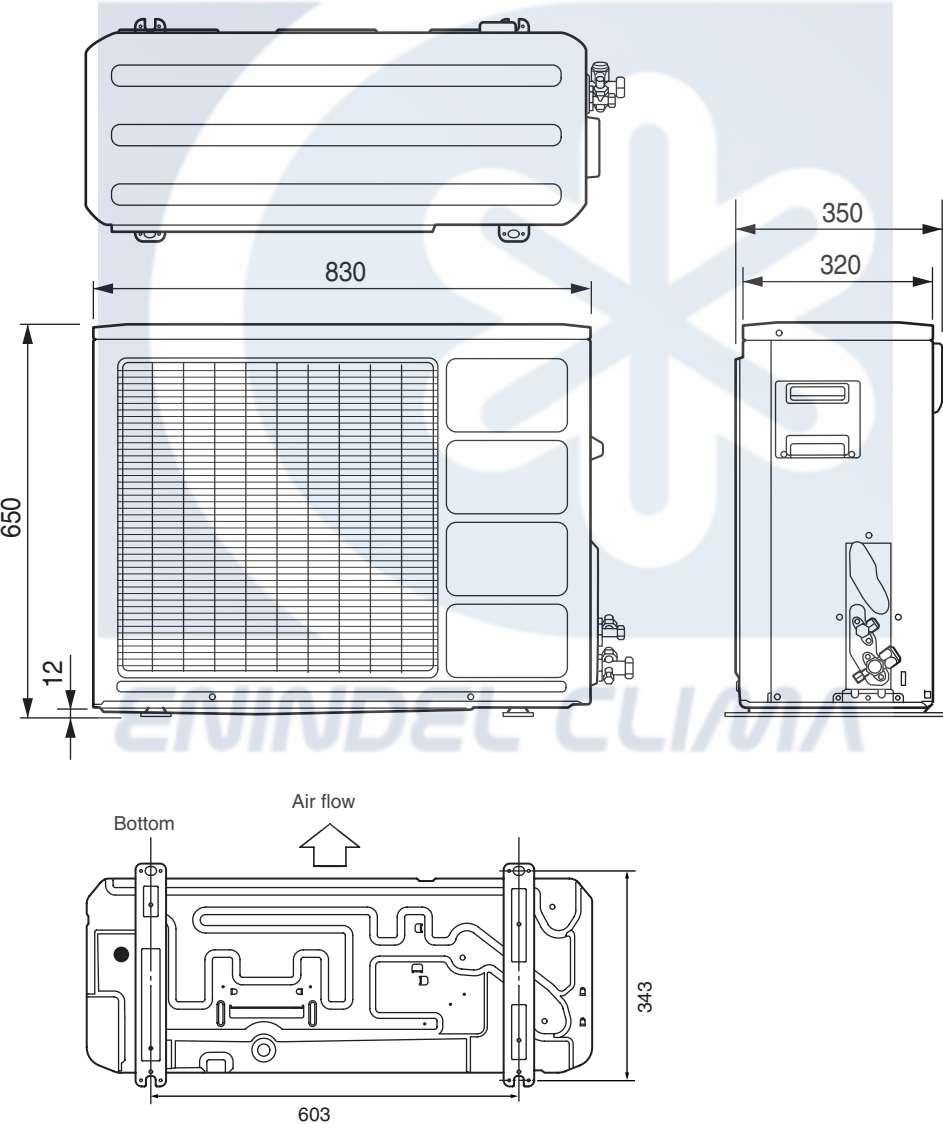
(Unit : mm)



# OUTDOOR UNIT

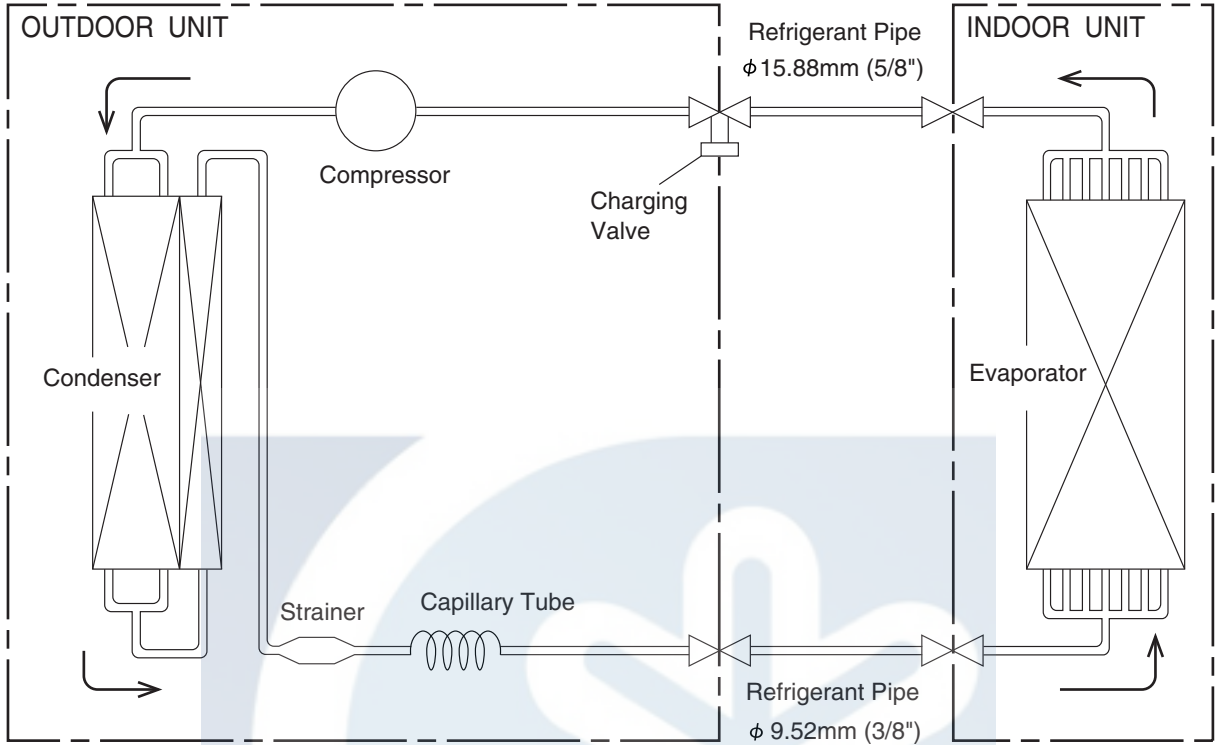
Models :  
AOY25FNAKL  
AOY25FNANL  
AOY25UNAKL  
AOY25UNANL

Unit : (mm)

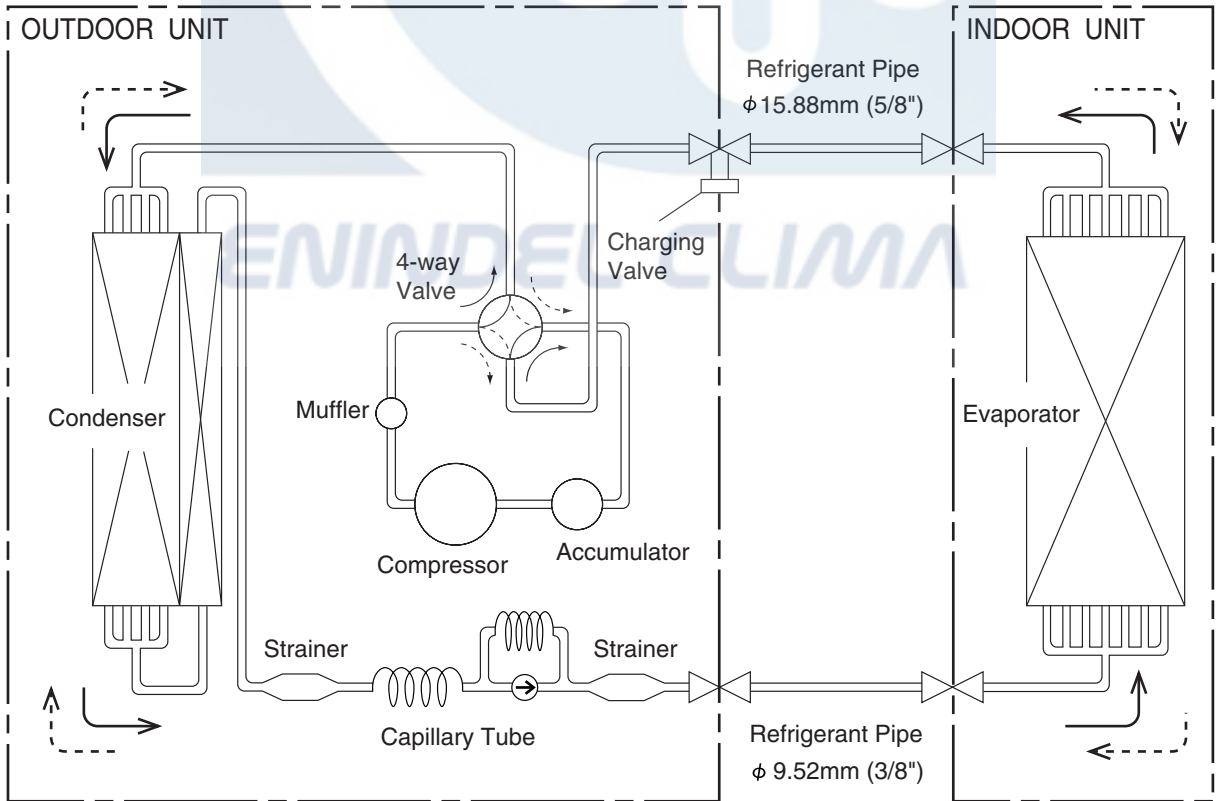


# REFRIGERANT SYSTEM DIAGRAM

Models :  
 ARY25FUAN / AOY25FNAKL  
 ARY25FUAN / AOY25FNANL



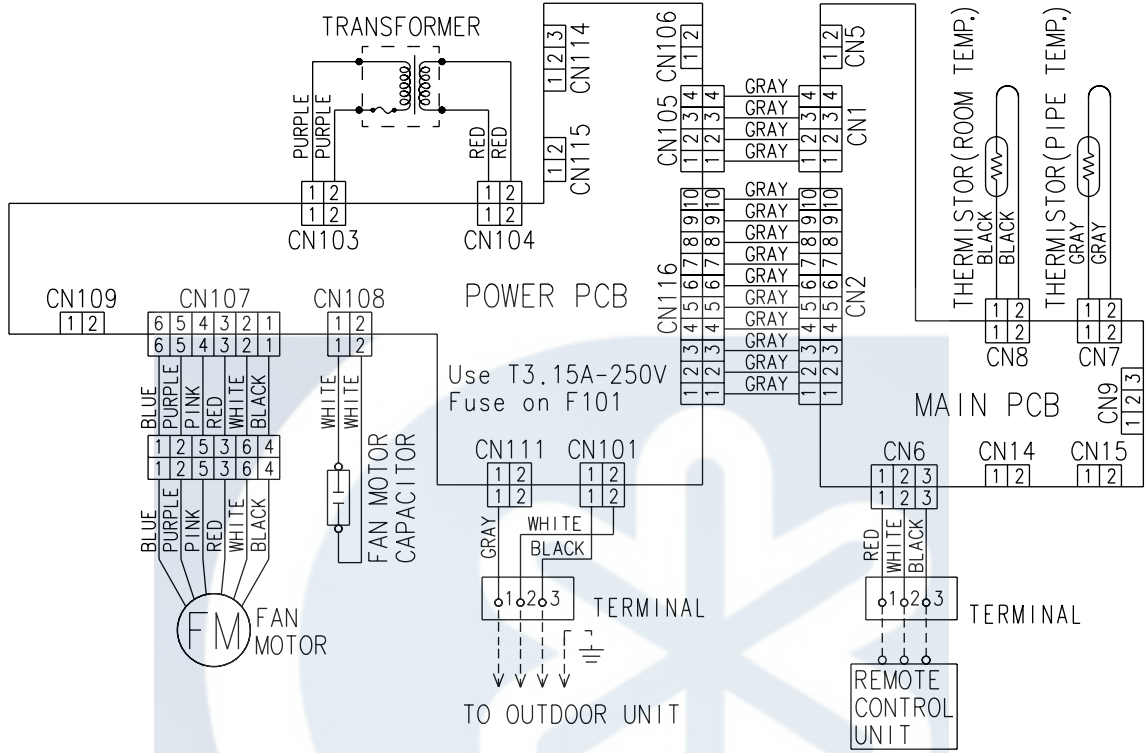
Models :  
 ARY25UUAN / AOY25UNA KL  
 ARY25UUAN / AOY25UNANL



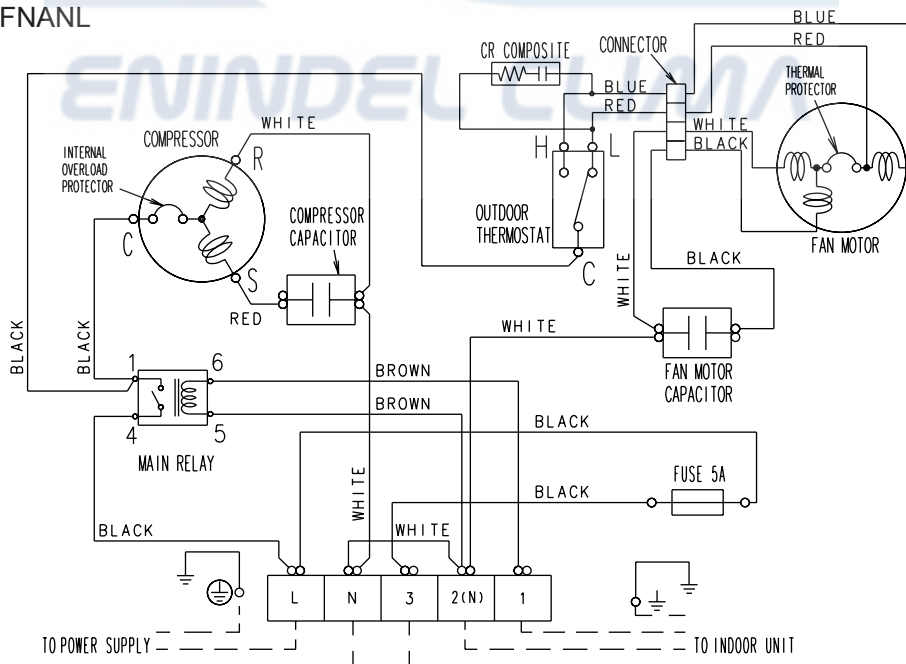
- > Heating
- > Cooling
- ⊗ : Flare coupling

# CIRCUIT DIAGRAM

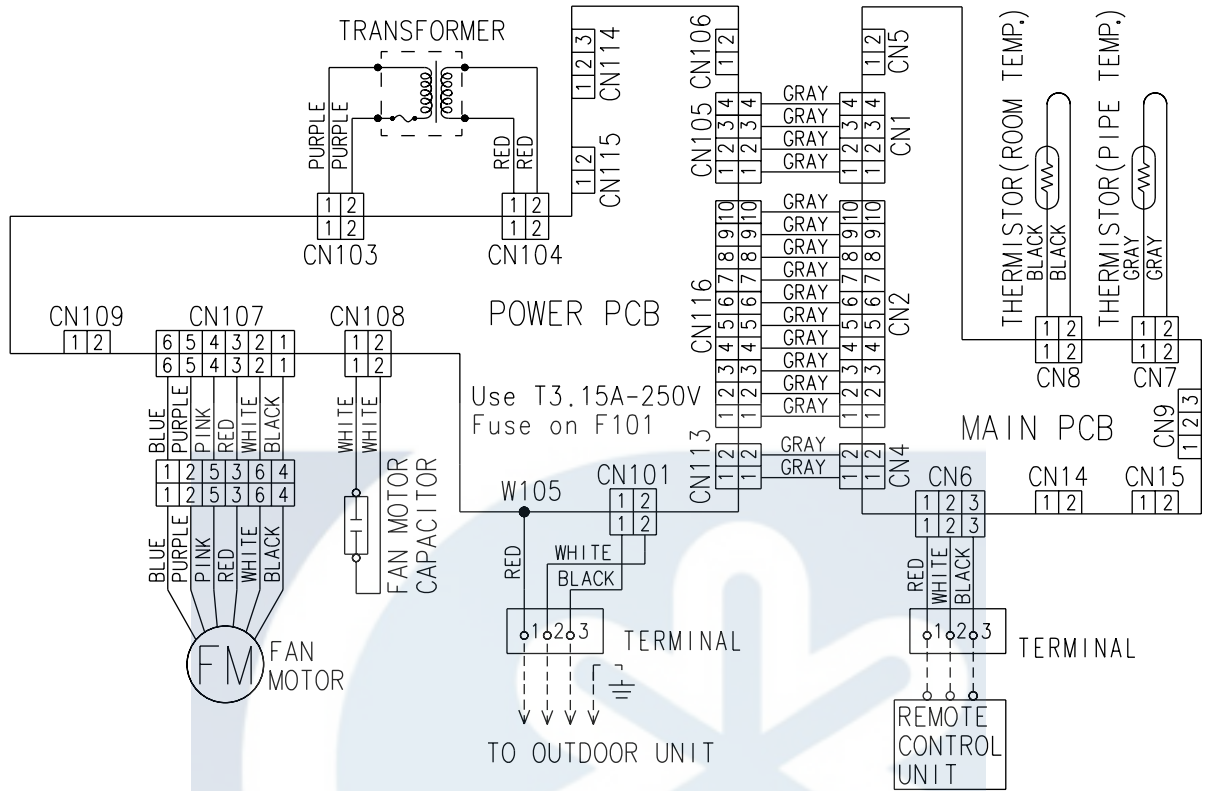
Model : ARY25FUAN



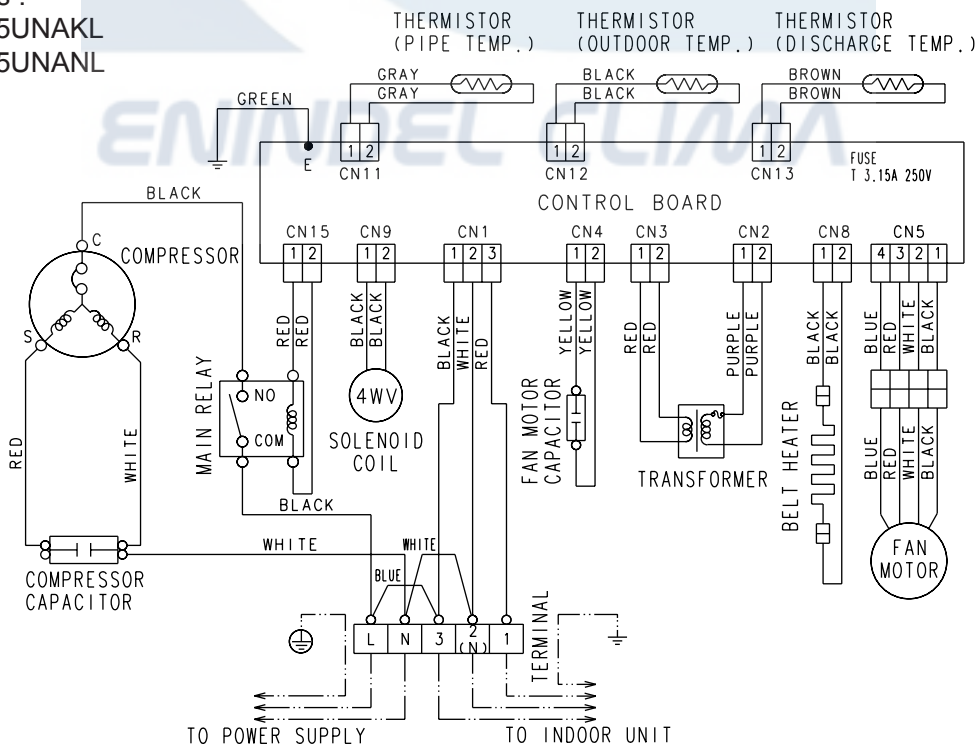
Models :  
AOY25FNAKL  
AOY25FNANL



Model : ARY25UUAN



Models :  
 AOY25UNAKL  
 AOY25UNANL



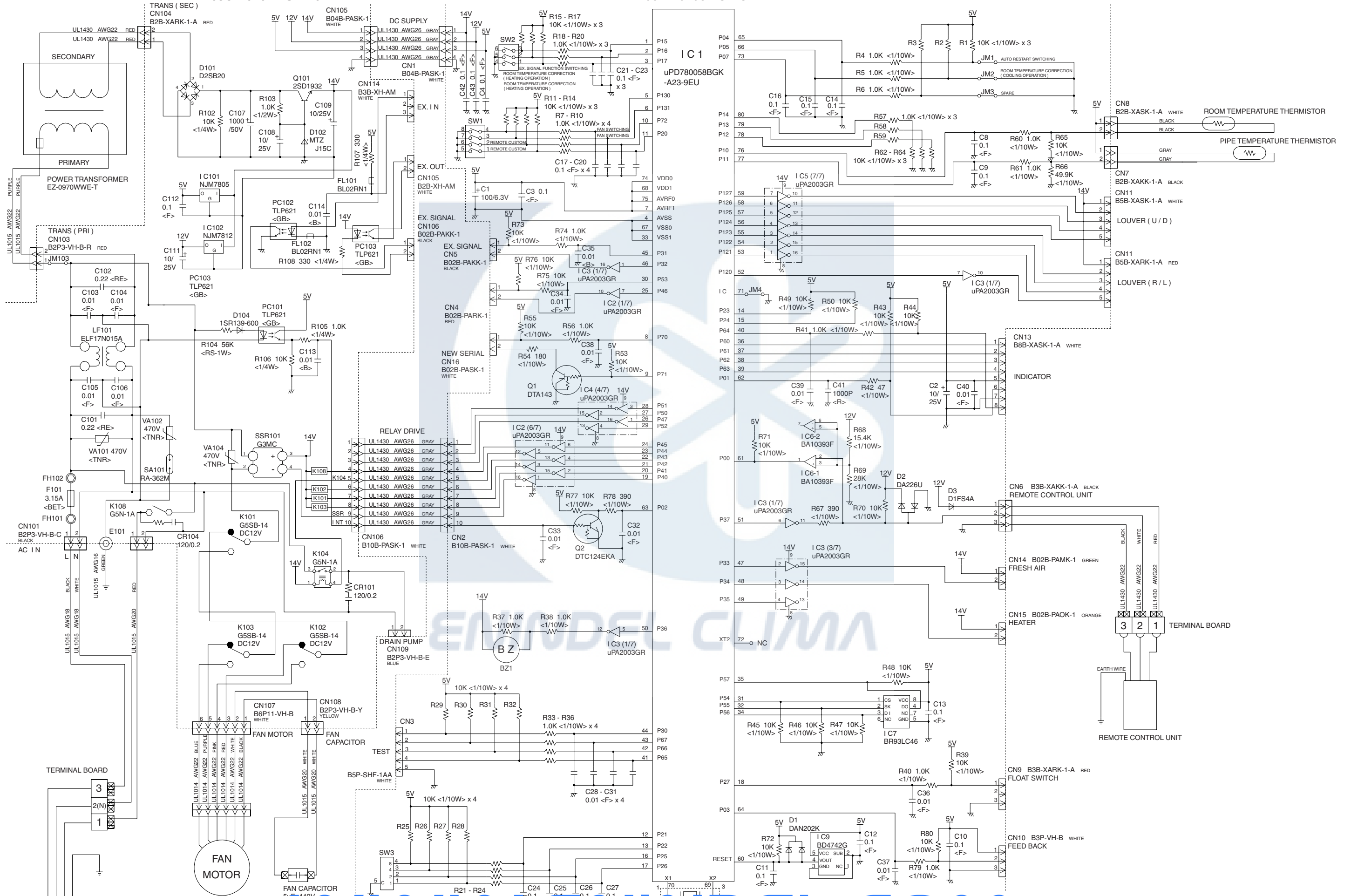


# INDOOR PCB CIRCUIT DIAGRAM

Model : ARY25FUAN

## POWER SUPPLY PCB K03CA-0401WSE-P0

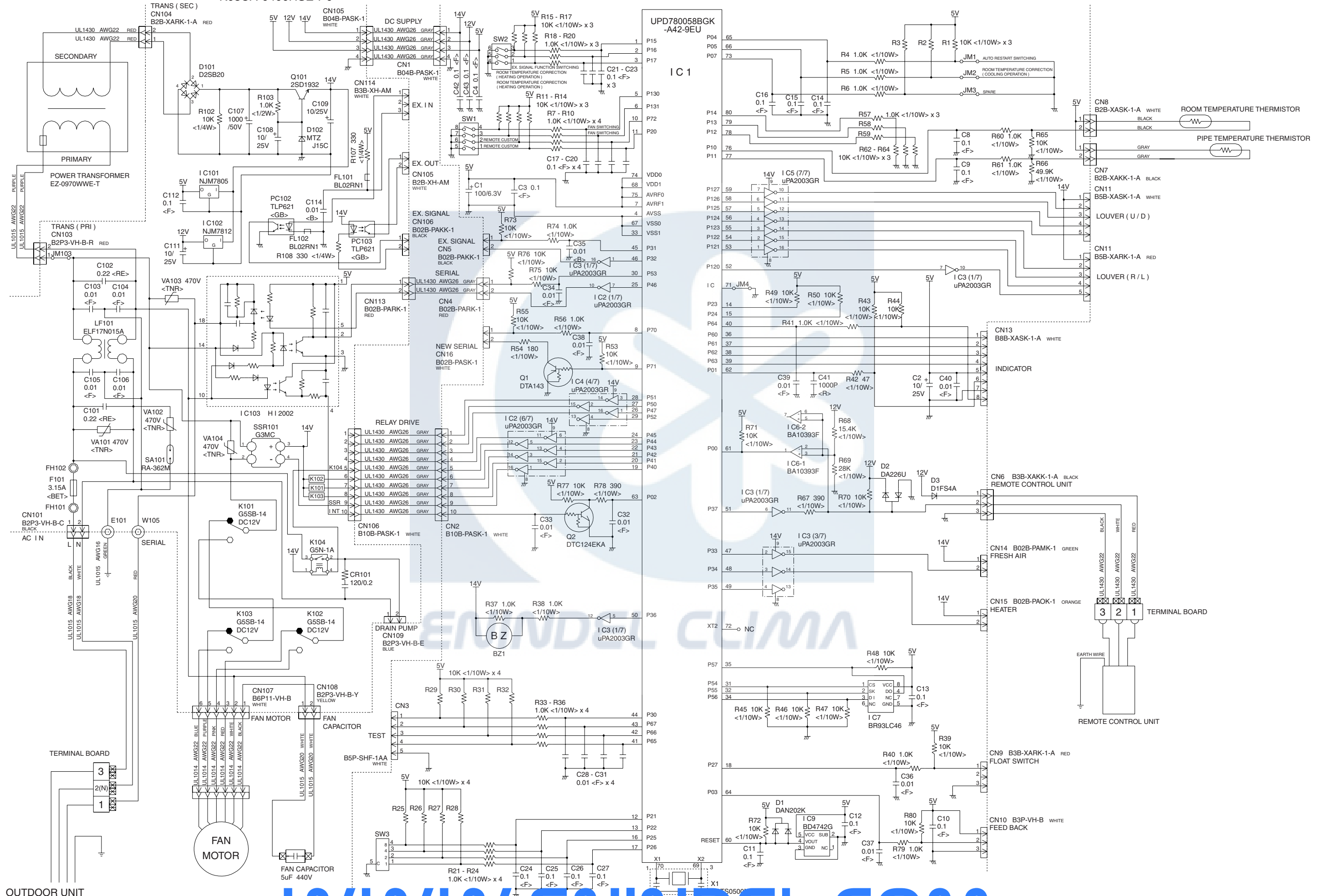
## CONTROLLER PCB ASSEMBLY K03BZ-0408WSE-C1





POWER SUPPLY PCB  
K03CA-0400HSE-P0

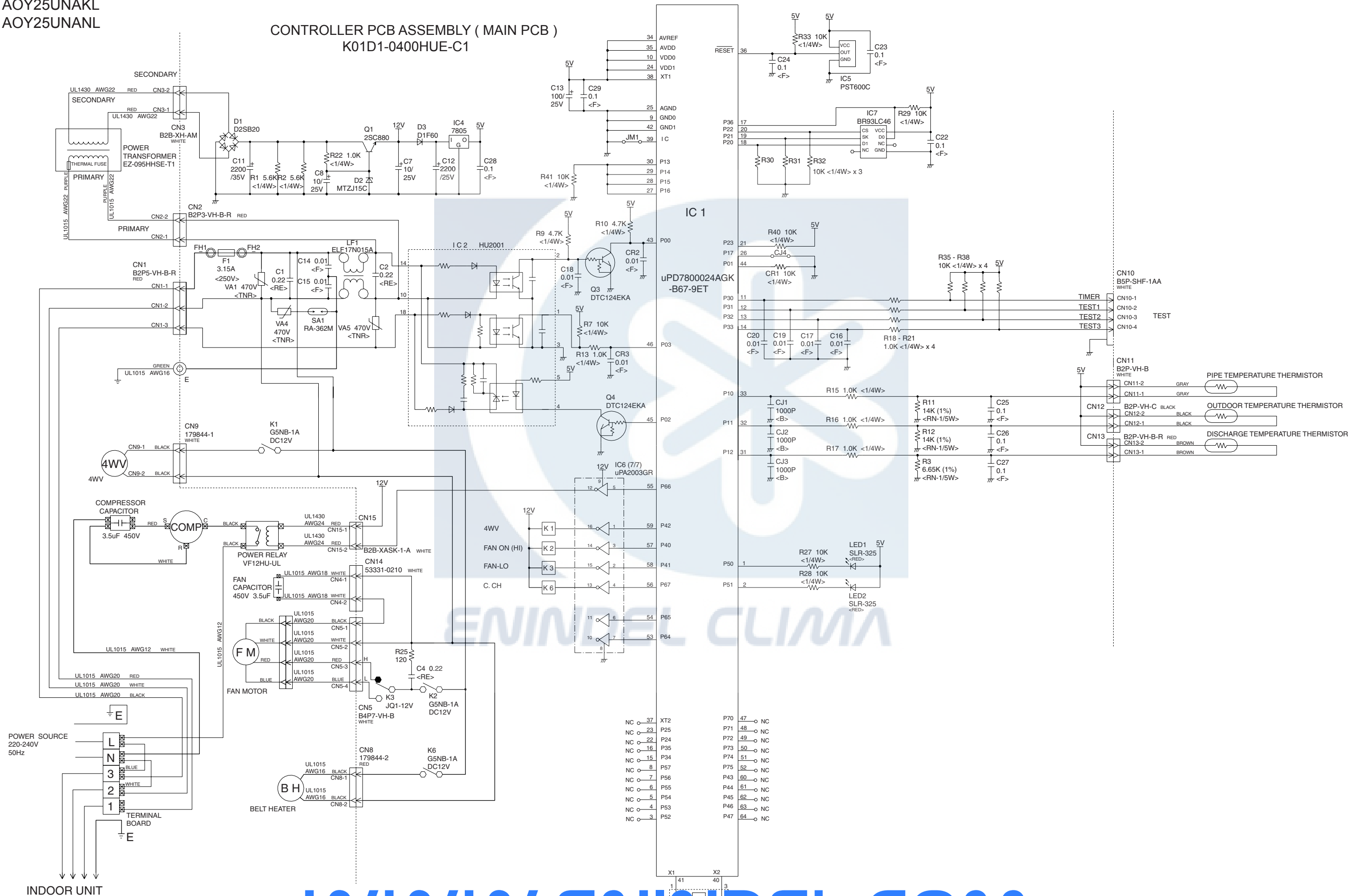
CONTROLLER PCB ASSEMBLY  
K03BZ-0409HSE-C1



# OUTDOOR PCB CIRCUIT DIAGRAM

Models :  
AOY25UNAKL  
AOY25UNANL

## CONTROLLER PCB ASSEMBLY ( MAIN PCB ) K01D1-0400HUE-C1



# SWITCH FUNCTION

## ■ DIP SWITCH SETTING

### 1-1 Low static pressure function setting

In case of installing in low static , you can minimize air flow and noise.

(◆... Factory setting)

| SW1-1 | SW state            |
|-------|---------------------|
| OFF   | Normal              |
| ON    | Low static pressure |

### 1-2 Dip SW 1-2,1-3,1-4 setting forbidden

(◆... Factory setting)

|         |     |
|---------|-----|
| ◆ SW1-2 | OFF |
| ◆ SW1-3 | OFF |
| ◆ SW1-4 | OFF |

### 2-1 Room temperature correct coefficient of heating.

Decide the heating temperature correct coefficient vale of heating.

HEAT TEMPERATURE CORRECTION (◆... Factory setting)

| SW2-1 | SW state                 |
|-------|--------------------------|
| OFF   | +4 deg (Ceiling setting) |
| ON    | 0 deg (Room setting)     |

### 2-2 External input select edge/pulse

This switch is used to select the format of external input command as shown in the table below.

(◆... Factory setting)

| SW2-2 | SW state |
|-------|----------|
| OFF   | Edge     |
| ON    | Pulse    |

### 2-3 Auto restart setting

Auto restart function can be selected by turning this switch ON/OFF.

AUTORESTART SETTING (◆... Factory setting)

| SW2-3 | SW state   |
|-------|------------|
| OFF   | Validity   |
| ON    | Invalidity |

## ■ ROTARY SWITCH SETTING

This switch can be used when group control system.

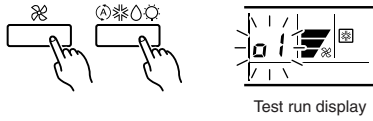
Set the indoor unit address in the 1,2,-,15 order.

(◆... Factory setting)

| SW3  | SW state            |
|------|---------------------|
| 0    | single              |
| 1-15 | Indoor unit address |

# ERROR CONTENTS

- Stop the air conditioner operation.
- Press the master control button and the fan control button simultaneously for 2 seconds or more to start the test run.



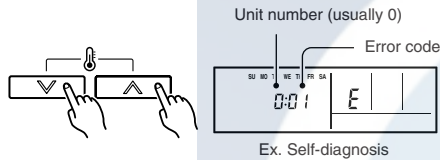
- Press the start/stop button to stop the test run.

## [SELF-DIAGNOSIS]

When the error indication E:EE is displayed, follow the following items to perform the self-diagnosis. E:EE indicates an error has occurred.

### 1. REMOTE CONTROLLER DISPLAY

- Stop the air conditioner operation.
- Press the set temperature buttons  $\wedge$  /  $\vee$  simultaneously for 5 seconds or more to start the self-diagnosis.  
Refer to the following tables for the description of each error code.



- Press the set temperature buttons  $\wedge$  /  $\vee$  simultaneously for 5 seconds or more to stop the self-diagnosis.

| Error code | Error contents  |
|------------|---|
| <b>00</b>  | Communication error (indoor unit ↔ remote controller)     |
| <b>01</b>  | Communication error (indoor unit ↔ outdoor unit)          |
| <b>02</b>  | Room temperature sensor open                              |
| <b>03</b>  | Room temperature sensor short-circuited                   |
| <b>04</b>  | Indoor heat exchanger temperature sensor open             |
| <b>05</b>  | Indoor heat exchanger temperature sensor short-circuited  |
| <b>06</b>  | Outdoor heat exchanger temperature sensor open            |
| <b>07</b>  | Outdoor heat exchanger temperature sensor short-circuited |
| <b>08</b>  | Power source connection error                             |
| <b>09</b>  | Float switch operated                                     |
| <b>0A</b>  | Outdoor temperature sensor open                           |
| <b>0b</b>  | Outdoor temperature sensor short-circuited                |
| <b>0c</b>  | Discharge pipe temperature sensor open                    |
| <b>0d</b>  | Discharge pipe temperature sensor short-circuited         |
| <b>0E</b>  | Outdoor high pressure abnormal                            |
| <b>0F</b>  | Discharge pipe temperature abnormal                       |
| <b>11</b>  | Model abnormal  |
| <b>12</b>  | Indoor fan abnormal                                       |
| <b>13</b>  | Outdoor signal abnormal                                   |
| <b>14</b>  | Outdoor EEPROM abnormal                                   |

### 2. OUTDOOR UNIT LEDS

When the outdoor temperature drops, the outdoor units fans may switch to low speed.

#### ERROR : HEAT & COOL MODEL (REVERSE CYCLE) ONLY

The LED lamps operate as follows according to the error contents.

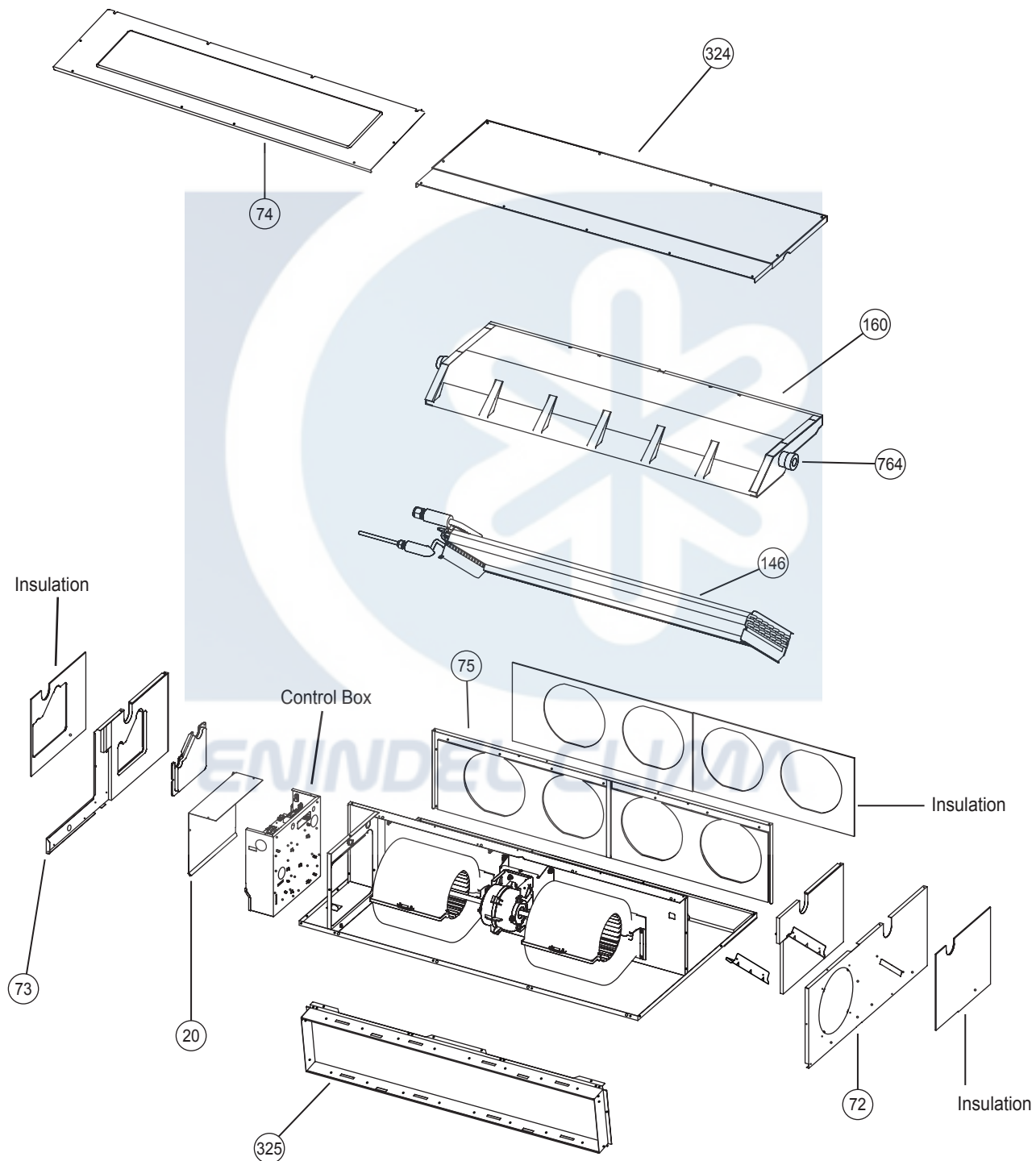
| Error display                 |                              |   |
|-------------------------------|------------------------------|---|
| LED1                          | LED2                         | Error contents                                  |
| <p>Quick flash continued</p>  | <p>Quick flash continued</p> | Model abnormal or EEPROM abnormal               |
| <p>1 quick flash repeated</p> | <p>Lighting continued</p>    | Power source connection error                   |
| <p>2 quick flash repeated</p> | <p>Lighting continued</p>    | Discharge temperature sensor error              |
| <p>3 quick flash repeated</p> | <p>Lighting continued</p>    | Outdoor heat exchanger temperature sensor error |
| <p>4 quick flash repeated</p> | <p>Lighting continued</p>    | Outdoor temperature sensor error                |
| <p>5 quick flash repeated</p> | <p>Lighting continued</p>    | Communication signal error                      |
| <p>6 quick flash repeated</p> | <p>Lighting continued</p>    | Indoor unit error                               |
| <p>7 quick flash repeated</p> | <p>Lighting continued</p>    | Discharge temperature abnormal                  |
| <p>8 quick flash repeated</p> | <p>Lighting continued</p>    | High pressure abnormal                          |

When the fault is cleared, the LED lamp goes off.

However, for discharge pipe temperature abnormal and high pressure abnormal, the LED lamp lights continuously for 24 hours, as long as the power is not turned off.

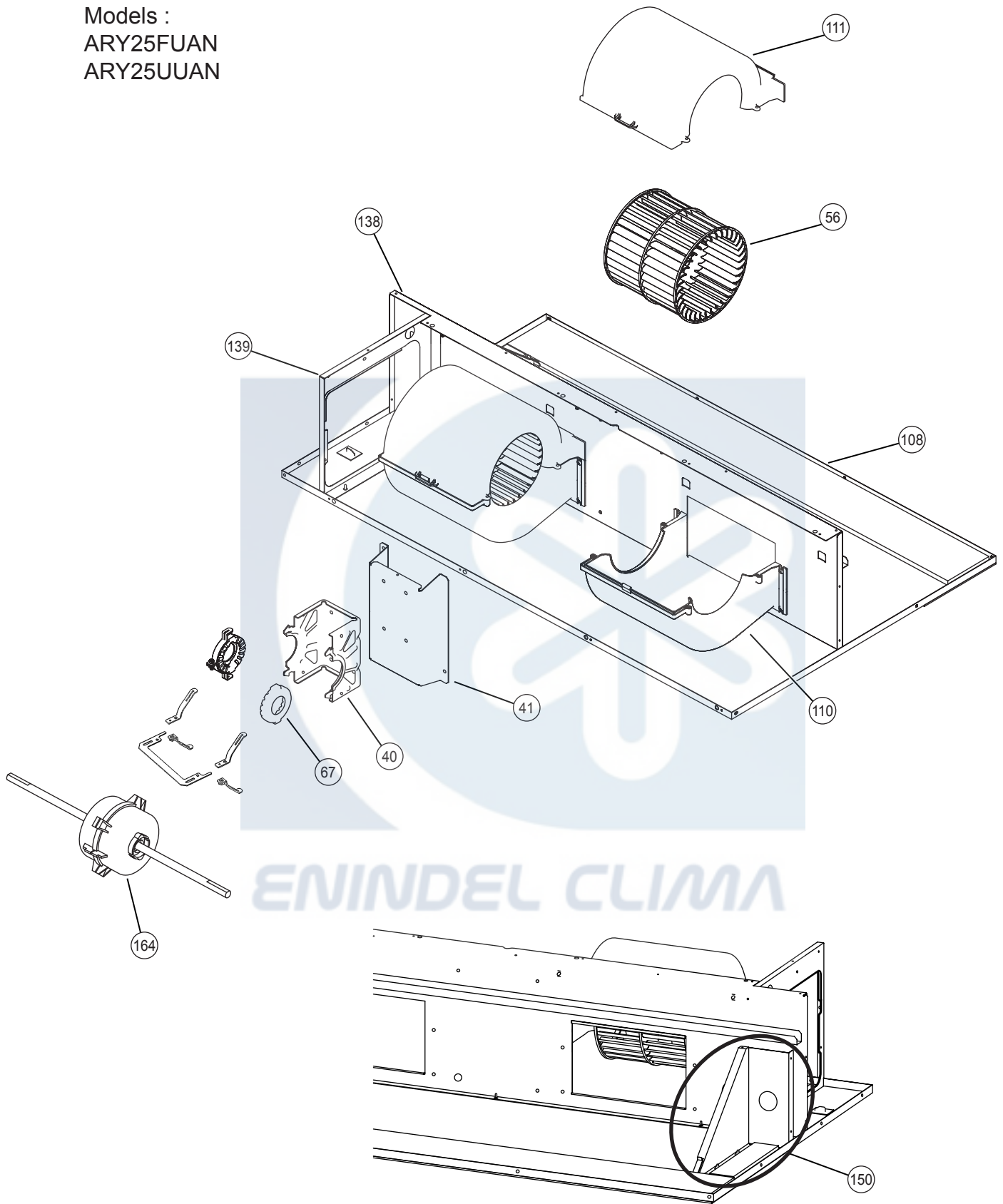
# DISASSEMBLY ILLUSTRATION

Models :  
ARY25FUAN  
ARY25UUAN

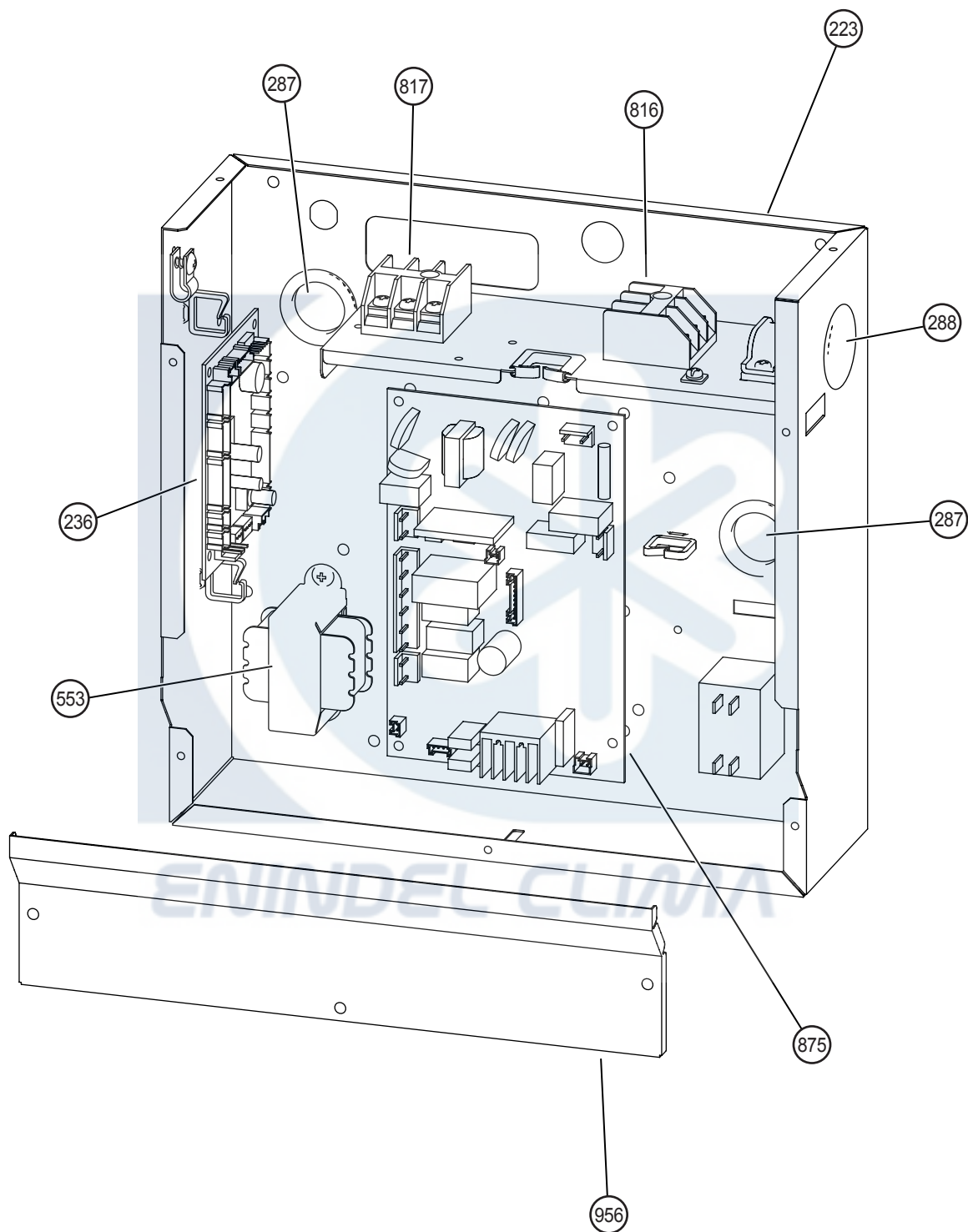




Models :  
ARY25FUAN  
ARY25UUAN

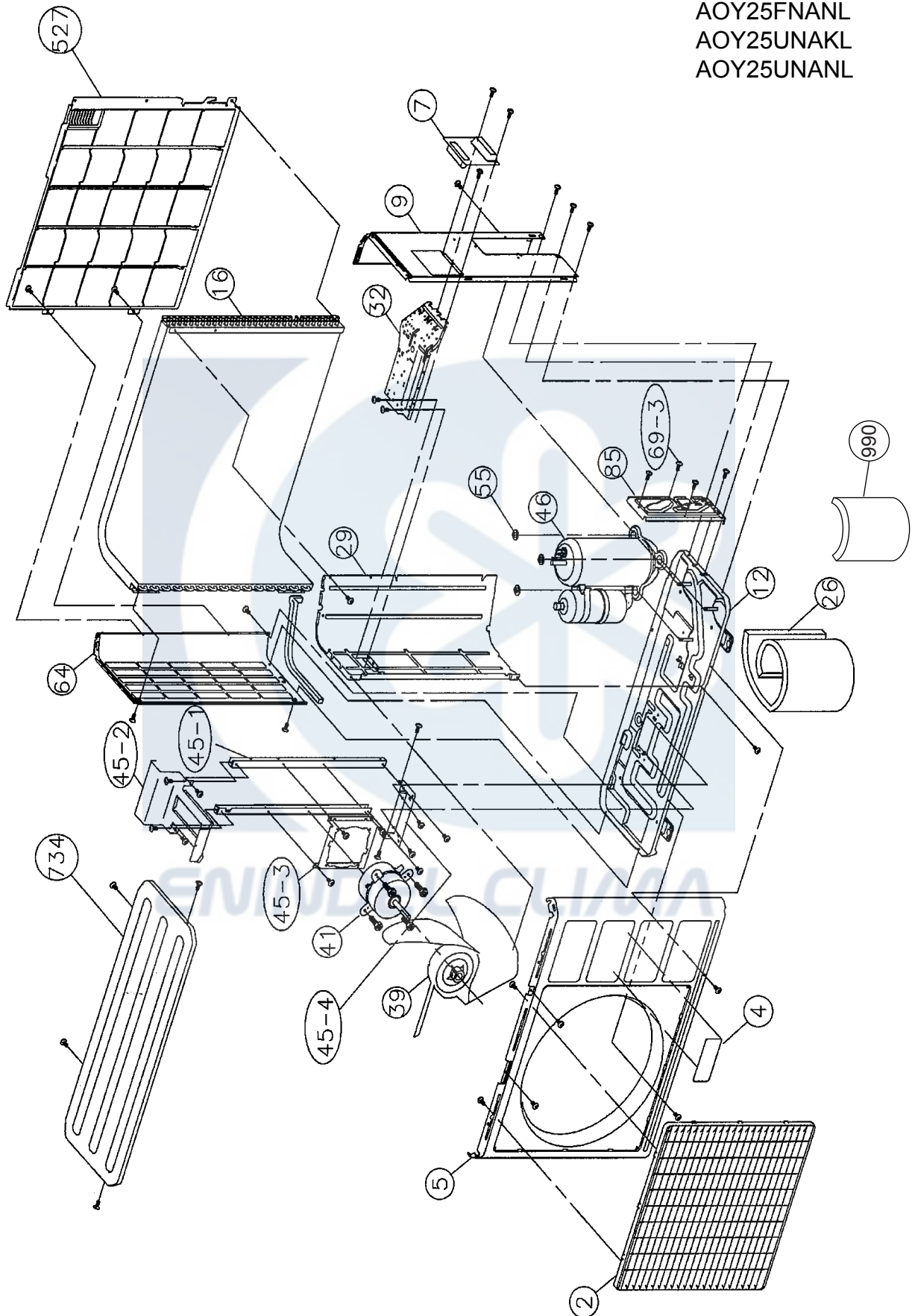


Models :  
ARY25FUAN  
ARY25UUAN



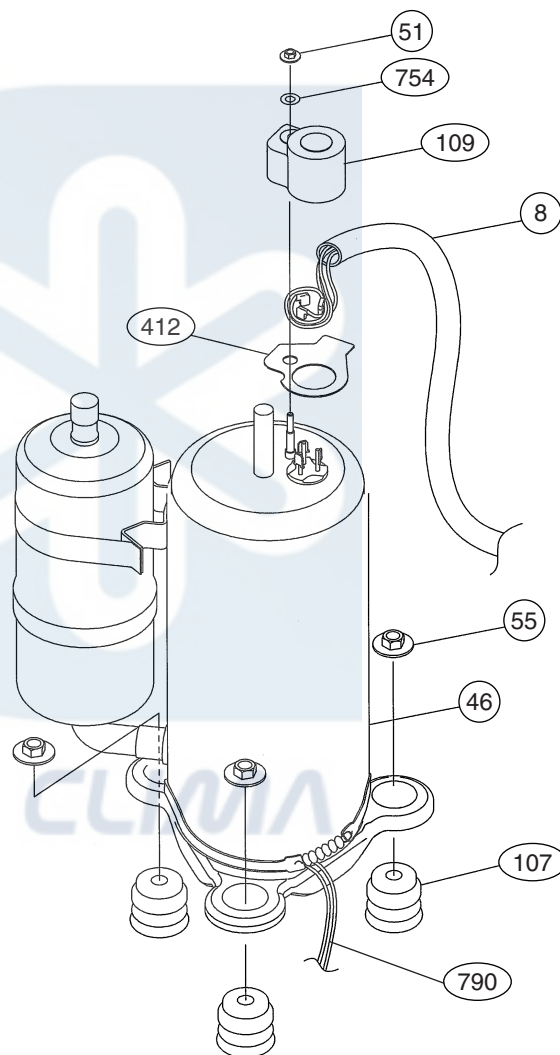
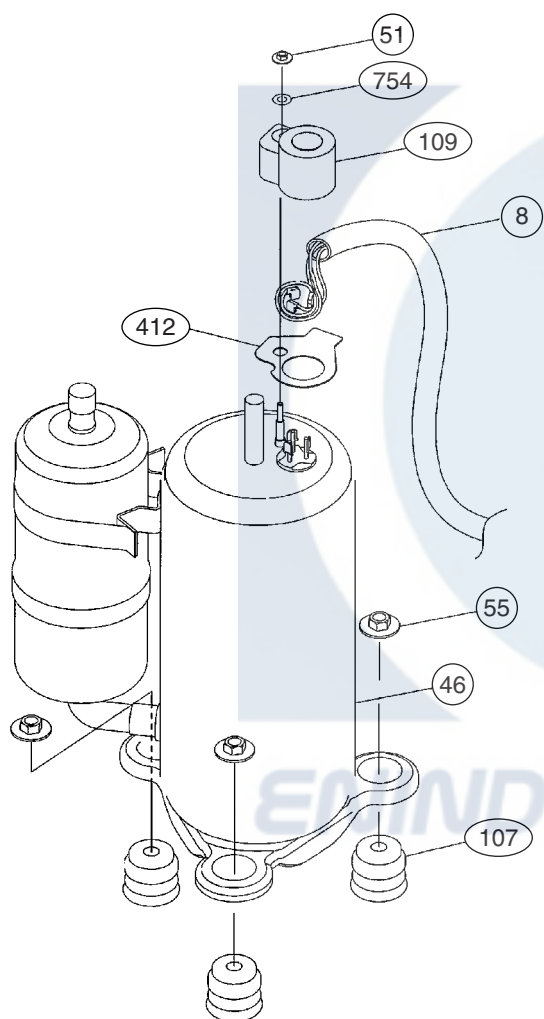


Models :  
AOY25FNAKL  
AOY25FNANL  
AOY25UNAKL  
AOY25UNANL

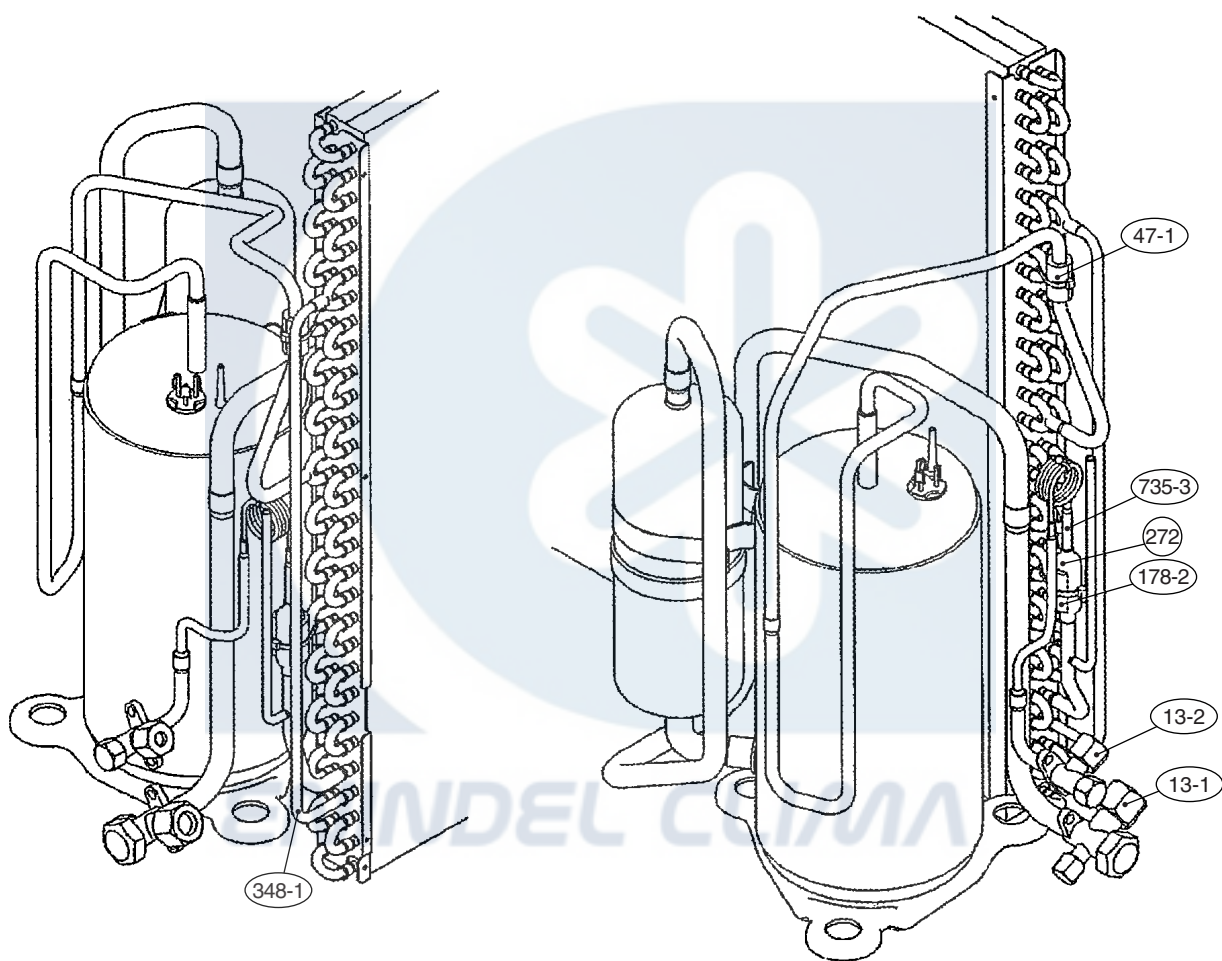


Models :  
AOY25FNAKL  
AOY25FNANL

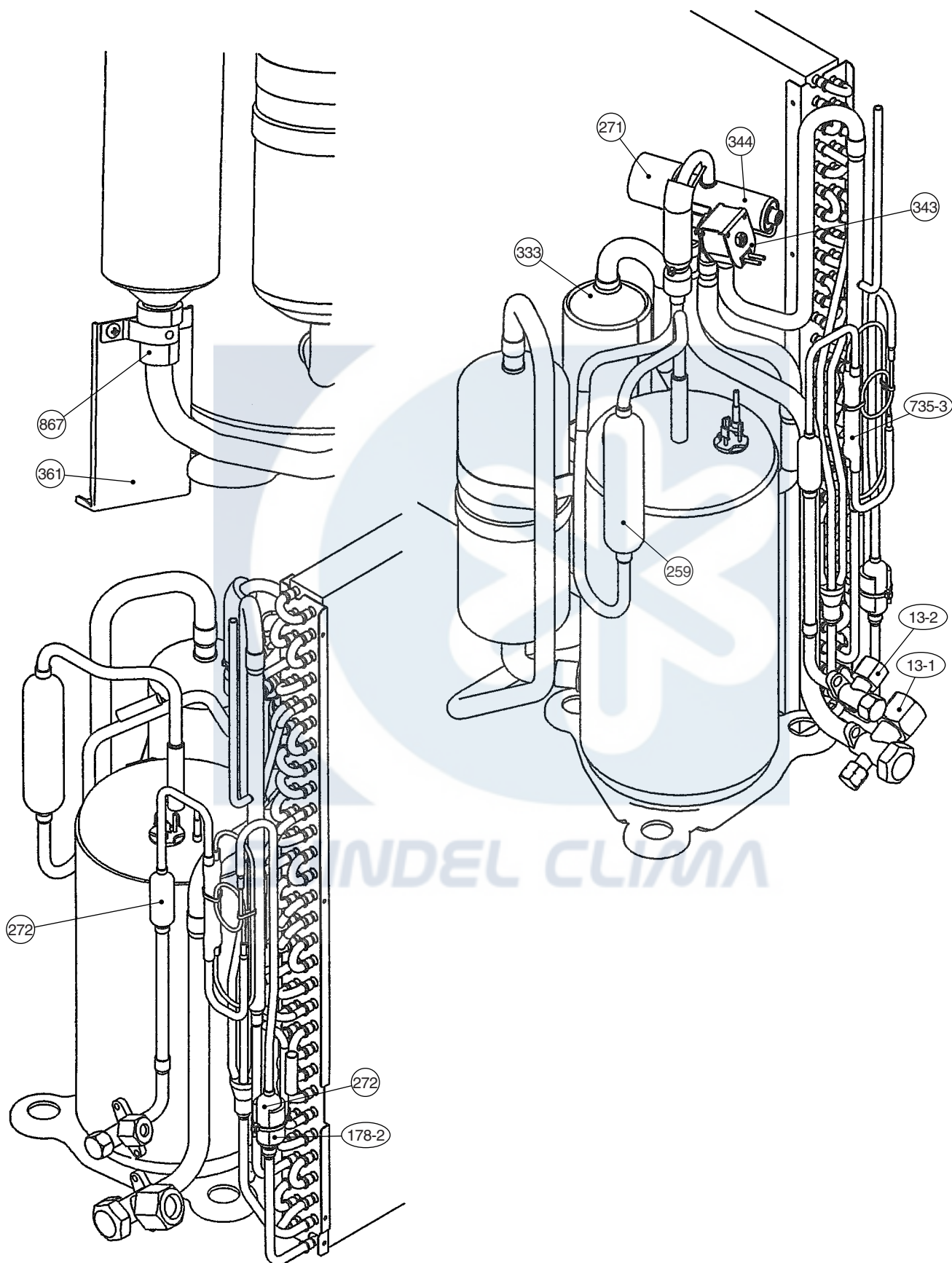
Models :  
AOY25UNAKL  
AOY25UNANL



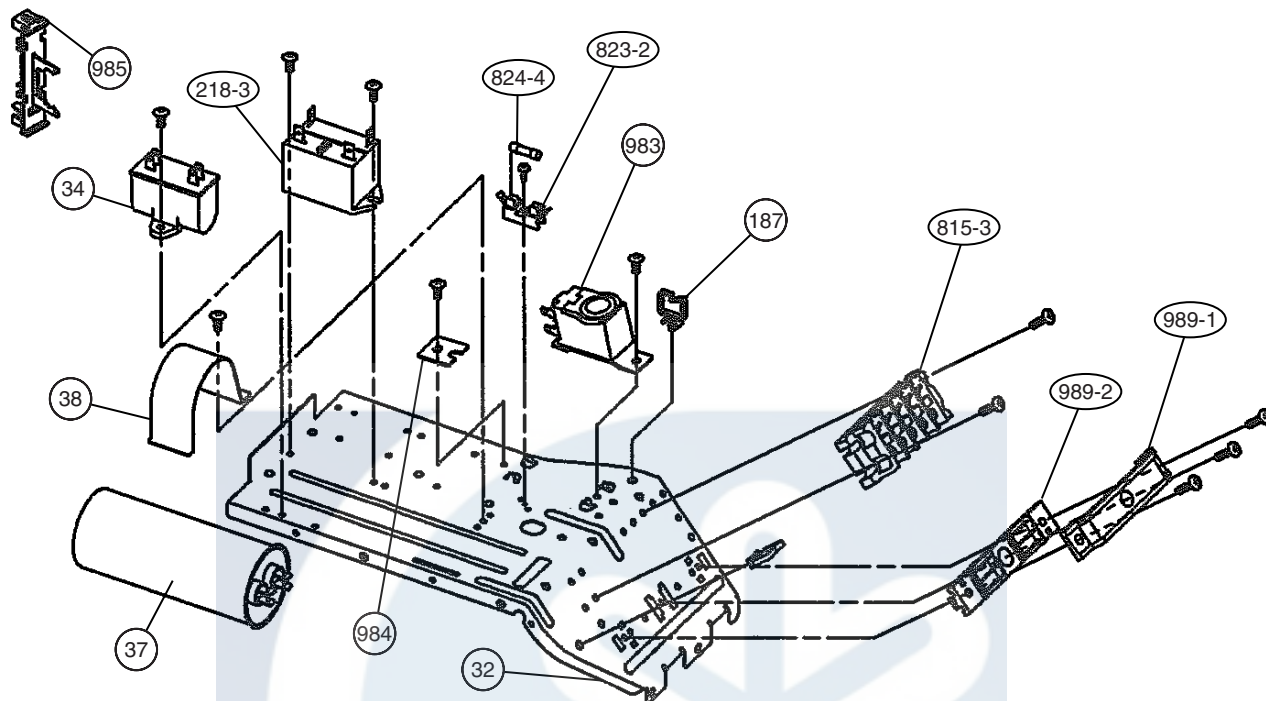
Models :  
AOY25FNAKL  
AOY25FNANL



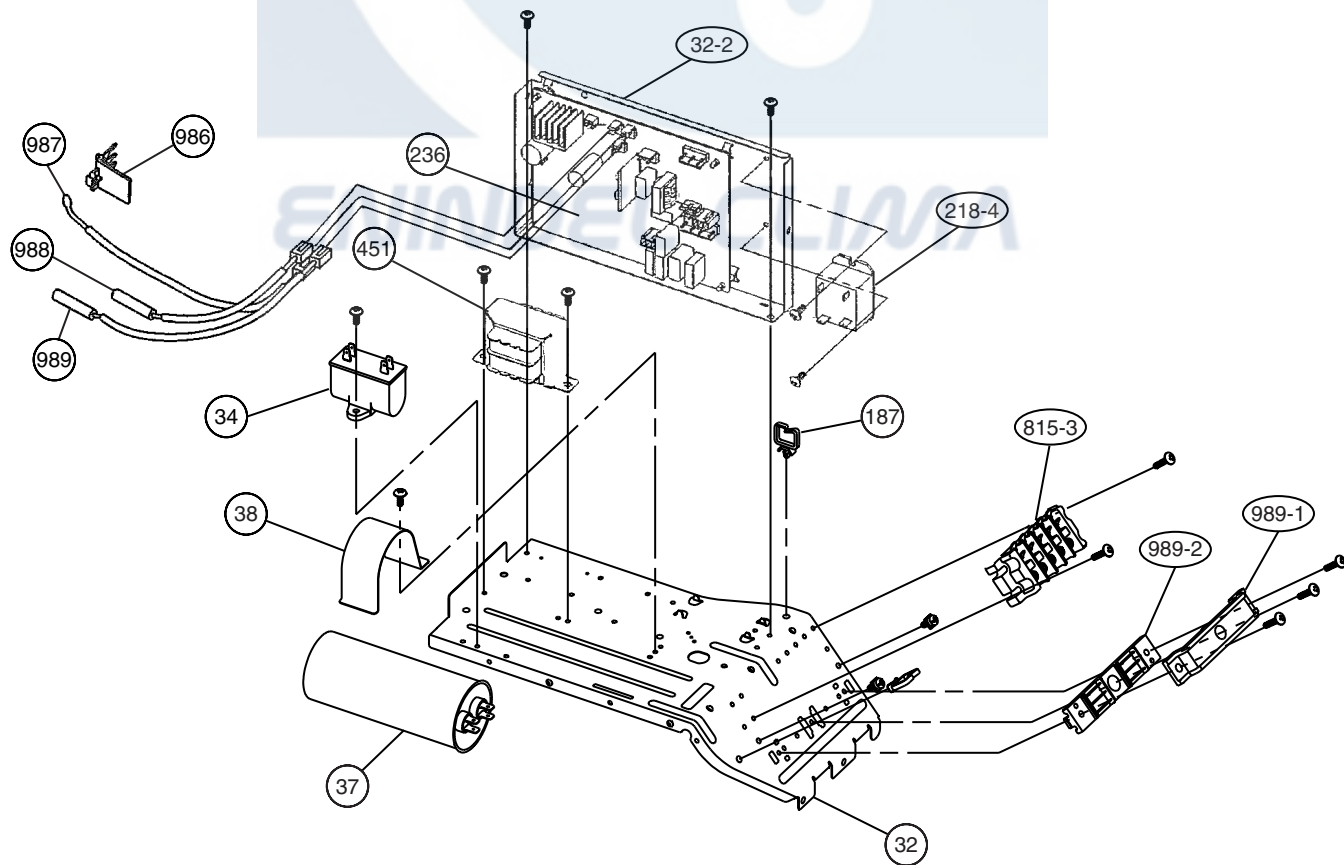
Models :  
AOY25UNAKL  
AOY25UNANL



Models :  
AOY25FNAKL  
AOY25FNANL



Models :  
AOY25UNAKL  
AOY25UNANL



# PARTS LIST

## INDOOR UNIT

| Ref. No. | Description                  | Part No.                         |                                  | Ord. Q'ty |
|----------|------------------------------|----------------------------------|----------------------------------|-----------|
|          |                              | ARY25FUAN                        | ARY25UUAN                        |           |
| 20       | Control Cover -A Sub Assy    | 9374516018                       | 9374516018                       |           |
| 40       | Motor Mount                  | 9374281015                       | 9374281015                       |           |
| 41       | Bracket Motor Assy           | 9374230013                       | 9374230013                       |           |
| 56       | Sirocco Fan Assy             | 9356531022                       | 9356531022                       |           |
| 67       | Rubber                       | 313659068604                     | 313659068604                     |           |
| 72       | Cabinet L Sub Assy           | 9374509010                       | 9374509010                       |           |
| 73       | Cabinet R Sub Assy           | 9374508013                       | 9374508013                       |           |
| 74       | Intake Cover Sub Assy        | 9374512010                       | 9374512010                       |           |
| 75       | Outlet Panel Sub Assy        | 9374510016                       | 9374510016                       |           |
| 108      | Base Sub Assy                | 9374504015                       | 9374504015                       |           |
| 110      | Casing A                     | 9374233014                       | 9374233014                       |           |
| 111      | Casing B                     | 9374234011                       | 9374234011                       |           |
| 138      | Separatewall Assy            | 9374228010                       | 9374228010                       |           |
| 139      | Panel (Control Box) Sub Assy | 9374506019                       | 9374506019                       |           |
| 146      | Evaporator Assy              | 9374518012                       | 9374518012                       |           |
| 150      | Bracket (Eva) -R             | 9374207015                       | 9374207015                       |           |
| 160      | Drain Pan Sub Assy           | 9374513017                       | 9374513017                       |           |
| 164      | Motor, Induct                | 9600830086                       | 9600830086                       |           |
| 223      | Control Box -A               | 9374219018                       | 9374219018                       |           |
| 236      | Controller PCB Assy          | 9705246089<br>(K03BZ-0408WSE-C1) | 9705246096<br>(K03BZ-0409HSE-C1) |           |
| 287      | Cap (Power)                  | 9352173011                       | 9352173011                       |           |
| 288      | One Touch Bush               | 9374407019                       | 9374407019                       |           |
| 324      | Main Panel Sub Assy          | 9374511013                       | 9374511013                       |           |
| 325      | Intake Frame Assy            | 9374216017                       | 9374216017                       |           |
| 553      | Transformer (Power)          | 9704129017                       | 9704129017                       |           |
| 764      | Drain Cap                    | 9356541007                       | 9356541007                       |           |
| 816      | Terminal 3P                  | 9703345012                       | 9703345012                       |           |
| 817      | Terminal 3P                  | 9306489045                       | 9306489045                       |           |
| 875      | Power PCB Assy               | 9705668027                       | 9705668010                       |           |
| 956      | Control Cover -B             | 9374222018                       | 9374222018                       |           |
|          | Thermo. Spring -A            | 313728262708                     | 313728262708                     |           |
|          | Thermistor Assy -Room        | 9703299025                       | 9703299025                       |           |
|          | Thermistor Assy -Pipe        | 9703297021                       | 9703297021                       |           |
|          | Remotecontroller Assy        | 9372266021                       | 9372266014                       |           |
|          | RFM (Motor Band)             | 9374646012                       | 9374646012                       |           |
|          | Motor Band -B                | 9374648023                       | 9374648023                       |           |
|          | Control Box -B               | 9374220014                       | 9374220014                       |           |
|          | Motor Band -A Assy           | 9374647019                       | 9374647019                       |           |
|          | Wire with Connector          | 9704856012                       | 9704856012                       |           |
|          | Wire with Connector          | 9705245020                       | 9705245020                       |           |
|          | Wire with Connector          | 9705243026                       | 9705243026                       |           |
|          | Wire with Connector          | 9705244023                       | 9705244023                       |           |



# OUTDOOR UNIT

| Ref. No. | Description               | Part No.     | Ord. Q'ty |
|----------|---------------------------|--------------|-----------|
|          |                           | AOY25FNAKL   |           |
| 2        | Fan Guard                 | 9371187013   |           |
| 4        | Emblem-Rear               | 9351355005   |           |
| 5        | Front Panel Ptd           | 9371924014   |           |
| 7        | Connector Cover (Cabinet) | 9366398004   |           |
| 8        | Wire Assy (Comp)          | 9372334010   |           |
| 9        | Side Panel R Ptd          | 9371927015   |           |
| 12       | Base Assy, Ptd            | 9371920016   |           |
| 13-1     | 3-Way Valve Assy          | 9372205013   |           |
| 13-2     | 2-Way Valve Assy          | 9372204023   |           |
| 16       | Condenser Assy            | 9372181027   |           |
| 26       | Compressor Cover A        | 9372327012   |           |
| 29       | Separate Wall             | 9371933016   |           |
| 32       | Control Box               | 9371935010   |           |
| 34       | Capacitor, Plastic        | 9900270049   |           |
| 37       | Running Capacitor         | 9703107023   |           |
| 38       | Capacitor Clamp Metal     | 313791061807 |           |
| 39       | Propeller Fan Assy        | 9366378013   |           |
| 41       | Motor Induct              | 9601671046   |           |
| 45-1     | Motor Bracket             | 9371929019   |           |
| 45-2     | Motor Bracket-Top         | 9371931012   |           |
| 45-3     | Motor Bracket Ctr         | 9371930015   |           |
| 45-4     | Motor Bracket Bottom      | 9371932019   |           |
| 46       | Compressor Assy           | 9372558010   |           |
| 47-1     | Rubber (Discharge Pipe)   | 313194159807 |           |
| 51       | Special Nut M5            | 9300301015   |           |
| 55       | Special Nut M8            | 9355091008   |           |
| 64       | Side Panel L Ptd          | 9371926018   |           |
| 69-3     | Bolt, Hex. Socket         | 0700145148   |           |
| 85       | Valve Plate Ptd           | 9371928012   |           |
| 107      | Rubber Seat-A             | 9351049010   |           |
| 109      | Terminal Cover (Comp)     | 9371511016   |           |
| 178-2    | Capillary Holder Rubber   | 313394274808 |           |
| 187      | Clip (Cable)              | 9352715006   |           |
| 218-3    | Relay                     | 9900074012   |           |
| 272      | Strainer                  | 9369287008   |           |
| 348-1    | Outlet Pipe (Cond)        | 9372190029   |           |
| 412      | Cover Gasket (Comp.)      | 9371512013   |           |
| 527      | Protective Net            | 9371934013   |           |
| 734      | Top Panel                 | 9371925011   |           |
| 735-3    | Capillary Assy            | 9372197059   |           |
| 754      | Terminal Gask. Washer     | 9351053017   |           |
| 815-3    | Terminal-5P               | 9900203023   |           |
| 823-2    | Fuse Holder               | 0501456016   |           |
| 824-4    | Fuse                      | 0600376086   |           |
| 983      | Outdoor Thermostat        | 9352553004   |           |
| 984      | Bracket (switch)          | 313986353607 |           |
| 985      | Bracket (thermostat)      | 9372643013   |           |
| 989-1    | Double Clamp U            | 9374175017   |           |
| 989-2    | Double Clamp L            | 9374176014   |           |

| Ref. No. | Description               | Part No.     | Ord. Q'ty |
|----------|---------------------------|--------------|-----------|
|          |                           | AOY25UNAKL   |           |
| 2        | Fan Guard                 | 9371187013   |           |
| 4        | Emblem-Rear               | 9351355005   |           |
| 5        | Front Panel Ptd           | 9371924014   |           |
| 7        | Connector Cover (Cabinet) | 9366398004   |           |
| 8        | Wire Assy (Comp)          | 9372334010   |           |
| 9        | Side Panel R Ptd          | 9371927015   |           |
| 12       | Base Assy, Ptd            | 9371920016   |           |
| 13-1     | 3-Way Valve Assy          | 9372205013   |           |
| 13-2     | 2-Way Valve Assy          | 9372204023   |           |
| 16       | Condenser Assy            | 9372181010   |           |
| 26       | Compressor Cover A        | 9372327012   |           |
| 29       | Separate Wall             | 9371933023   |           |
| 32       | Control Box               | 9371935010   |           |
| 32-2     | Control Box B             | 9371936017   |           |
| 34       | Capacitor, Plastic        | 9900270049   |           |
| 37       | Running Capacitor         | 9703107023   |           |
| 38       | Capacitor Clamp Metal     | 313791061807 |           |
| 39       | Propeller Fan Assy        | 9366378013   |           |
| 41       | Motor Induct              | 9601671046   |           |
| 45-1     | Motor Bracket             | 9371929019   |           |
| 45-2     | Motor Bracket-Top         | 9371931012   |           |
| 45-3     | Motor Bracket Ctr         | 9371930015   |           |
| 45-4     | Motor Bracket Bottom      | 9371932019   |           |
| 46       | Compressor Assy           | 9372558010   |           |
| 51       | Special Nut M5            | 9300301015   |           |
| 55       | Special Nut M8            | 9355091008   |           |
| 64       | Side Panel L Ptd          | 9371926018   |           |
| 69-3     | Bolt, Hex. Socket         | 0700145148   |           |
| 85       | Valve Plate Ptd           | 9371928012   |           |
| 107      | Rubber Seat-A             | 9351049010   |           |
| 109      | Terminal Cover (Comp)     | 9371511016   |           |
| 178-2    | Capillary Holder Rubber   | 313394274808 |           |
| 187      | Clip (Cable)              | 9352715006   |           |
| 218-4    | Relay                     | 9900262013   |           |
| 236      | PCB Assy                  | 9704299062   |           |
| 259      | Muffler                   | 9372369012   |           |
| 271      | 4-Way Valve Rubber        | 313728251908 |           |
| 272      | Strainer                  | 9369287008   |           |
| 333      | Accumulator               | 9368391003   |           |
| 343      | Solenoid                  | 9900165024   |           |
| 344      | 4-Way Valve               | 9900163013   |           |
| 361      | Accum Support Assy        | 9372252017   |           |
| 412      | Cover Gasket (Comp.)      | 9371512013   |           |
| 451      | TRANSFORMER               | 9900039011   |           |
| 527      | Protective Net            | 9371934013   |           |
| 734      | Top Panel                 | 9371925011   |           |
| 735-3    | Capillary Assy            | 9372197288   |           |
| 754      | Terminal Gask. Washer     | 9351053017   |           |
| 790      | Belt Heater               | 9361140165   |           |
| 815-3    | Terminal-5P               | 9900203023   |           |
| 867      | Accumulator Holder Rubber | 9354022010   |           |
| 986      | Bracket (thermo)          | 9373154013   |           |
| 987      | Outdoor Temp thermistor   | 9900037031   |           |
| 988      | Discharge Temp thermistor | 9900038014   |           |
| 989      | Heat Exchanger thermistor | 9900043032   |           |
| 989-1    | Double Clamp U            | 9374175017   |           |
| 989-2    | Double Clamp L            | 9374176014   |           |






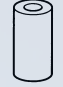


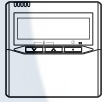


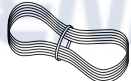
# OUTDOOR UNIT

| Ref. No. | Description               | Part No.     | Ord. Q'ty |
|----------|---------------------------|--------------|-----------|
|          |                           | AOY25FNANL   |           |
| 2        | Fan Guard                 | 9371187013   |           |
| 4        | Emblem-Rear               | 9351355005   |           |
| 5        | Front Panel Ptd           | 9371924014   |           |
| 7        | Connector Cover (Cabinet) | 9366398004   |           |
| 8        | Wire Assy (Comp)          | 9314792007   |           |
| 9        | Side Panel R Ptd          | 9371927015   |           |
| 12       | Base Assy, Ptd            | 9371920016   |           |
| 13-1     | 3-Way Valve Assy          | 9314674013   |           |
| 13-2     | 2-Way Valve Assy          | 9314680014   |           |
| 16       | Condenser Assy            | 9314476013   |           |
| 26       | Compressor Cover A        | 9314750014   |           |
| 29       | Separate Wall             | 9371933016   |           |
| 32       | Control Box               | 9371935010   |           |
| 34       | Capacitor, Plastic        | 9900089108   |           |
| 37       | Running Capacitor         | 9307588204   |           |
| 38       | Capacitor Clamp Metal     | 313791061807 |           |
| 39       | Propeller Fan Assy        | 9314812019   |           |
| 41       | Motor Induct              | 9602277018   |           |
| 45-1     | Motor Bracket             | 9371929019   |           |
| 45-2     | Motor Bracket-Top         | 9371931012   |           |
| 45-3     | Motor Bracket Ctr         | 9371930015   |           |
| 45-4     | Motor Bracket Bottom      | 9371932019   |           |
| 46       | Compressor Assy           | 9372558010   |           |
| 47-1     | Rubber (Discharge Pipe)   | 313194159807 |           |
| 51       | Special Nut M5            | 9300301015   |           |
| 55       | Special Nut M8            | 9355091008   |           |
| 64       | Side Panel L Ptd          | 9371926018   |           |
| 69-3     | Bolt, Hex. Socket         | 0700145148   |           |
| 85       | Valve Plate Ptd           | 9371928012   |           |
| 107      | Rubber Seat-A             | 9351049010   |           |
| 109      | Terminal Cover (Comp)     | 9371511016   |           |
| 178-2    | Capillary Holder Rubber   | 313394274808 |           |
| 187      | Clip (Cable)              | 9352715006   |           |
| 218-3    | Relay                     | 9900074012   |           |
| 272      | Strainer                  | 9369287008   |           |
| 348-1    | Outlet Pipe (Cond)        | 9372190029   |           |
| 412      | Cover Gasket (Comp.)      | 9371512013   |           |
| 527      | Protectiive Net           | 9371934013   |           |
| 734      | Top Panel                 | 9371925011   |           |
| 735-3    | Capillary Assy            | 9372197387   |           |
| 754      | Terminal Gask. Washer     | 9351053017   |           |
| 815-3    | Terminal-5P               | 9900203023   |           |
| 823-2    | Fuse Holder               | 0501456016   |           |
| 824-4    | Fuse                      | 0600376016   |           |
| 983      | Outdoor Thermostat        | 9352553004   |           |
| 984      | Bracket (switch)          | 313986353607 |           |
| 985      | Bracket (thermostat)      | 9372643013   |           |
| 989-1    | Cord Clamp A              | 9359822011   |           |
| 989-2    | Cord Clamp B              | 9359823018   |           |
| 990      | Compressor Cover B        | 9314750021   |           |

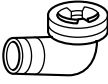
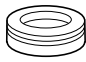
| Ref. No. | Description               | Part No.     | Ord. Q'ty |
|----------|---------------------------|--------------|-----------|
|          |                           | AOY25UNANL   |           |
| 2        | Fan Guard                 | 9371187013   |           |
| 4        | Emblem-Rear               | 9351355005   |           |
| 5        | Front Panel Ptd           | 9371924014   |           |
| 7        | Connector Cover (Cabinet) | 9366398004   |           |
| 8        | Wire Assy (Comp)          | 9314792007   |           |
| 9        | Side Panel R Ptd          | 9371927015   |           |
| 12       | Base Assy, Ptd            | 9371920016   |           |
| 13-1     | 3-Way Valve Assy          | 9314674013   |           |
| 13-2     | 2-Way Valve Assy          | 9314680014   |           |
| 16       | Condenser Assy            | 9314475023   |           |
| 26       | Compressor Cover A        | 9314750014   |           |
| 29       | Separate Wall             | 9371933023   |           |
| 32       | Control Box               | 9371935010   |           |
| 32-2     | Control Box B             | 9371936017   |           |
| 34       | Capacitor, Plastic        | 9900089108   |           |
| 37       | Running Capacitor         | 9307588204   |           |
| 38       | Capacitor Clamp Metal     | 313791061807 |           |
| 39       | Propeller Fan Assy        | 9314812019   |           |
| 41       | Motor Induct              | 9602277018   |           |
| 45-1     | Motor Bracket             | 9371929019   |           |
| 45-2     | Motor Bracket-Top         | 9371931012   |           |
| 45-3     | Motor Bracket Ctr         | 9371930015   |           |
| 45-4     | Motor Bracket Bottom      | 9371932019   |           |
| 46       | Compressor Assy           | 9372558010   |           |
| 51       | Special Nut M5            | 9300301015   |           |
| 55       | Special Nut M8            | 9355091008   |           |
| 64       | Side Panel L Ptd          | 9371926018   |           |
| 69-3     | Bolt, Hex. Socket         | 0700145148   |           |
| 85       | Valve Plate Ptd           | 9371928012   |           |
| 107      | Rubber Seat-A             | 9351049010   |           |
| 109      | Terminal Cover (Comp)     | 9371511016   |           |
| 178-2    | Capillary Holder Rubber   | 313394274808 |           |
| 187      | Clip (Cable)              | 9352715006   |           |
| 218-4    | Relay                     | 9900262013   |           |
| 236      | PCB Assy                  | 9704299062   |           |
| 259      | Muffler                   | 9372369043   |           |
| 272      | Strainer                  | 9369287008   |           |
| 333      | Accumulator               | 9368391003   |           |
| 343      | Solenoid                  | 9900165024   |           |
| 344      | 4-Way Valve               | 9900163013   |           |
| 361      | Accum Support Assy        | 9372252017   |           |
| 412      | Cover Gasket (Comp.)      | 9371512013   |           |
| 451      | TRANSFORMER               | 9900039011   |           |
| 527      | Protectiive Net           | 9371934013   |           |
| 734      | Top Panel                 | 9371925011   |           |
| 735-3    | Capillary Assy            | 9372197288   |           |
| 754      | Terminal Gask. Washer     | 9351053017   |           |
| 790      | Belt Heater               | 9361140165   |           |
| 815-3    | Terminal-5P               | 9900203023   |           |
| 867      | Accumulator Holder Rubber | 9354022010   |           |
| 986      | Bracket (thermo)          | 9373154013   |           |
| 987      | Outdoor Temp thermistor   | 9900037031   |           |
| 988      | Discharge Temp thermistor | 9900038014   |           |
| 989      | Heat Exchanger thermistor | 9900043032   |           |
| 989-1    | Cord Clamp A              | 9359822011   |           |
| 989-2    | Cord Clamp B              | 9359823018   |           |
| 990      | Compressor Cover B        | 9314750021   |           |

# STANDARD ACCESSORIES

## INDOOR UNIT ACCESSORIES

| Name and Shape   | Q'ty      | Application  | Part No.     |              |
|--|-----------|--|--------------|--------------|
|  |           |  | ARY25FUAN    | ARY25UUAN    |
| Hanger<br>                          | 4         | For suspending the indoor unit from ceiling        | 9356563009   | 9356563009   |
| Special nut A (large flange)<br>    | 4         | For suspending the indoor unit from ceiling        | 313005446653 | 313005446653 |
| Special nut B (small flange)<br>    | 4         |  | 313005446759 | 313005446759 |
| Coupler heat insulation (large)<br> | 2         | For indoor side pipe joint (large pipe)            | 9350716029   | 9350716029   |
| Coupler heat insulation (small)<br> | 1         | For indoor side pipe joint (small pipe)            | 9352766015   | 9352766015   |
| Nylon fastener<br>                 | 1 (large) | For fixing the drain hose                          | 312300787605 | 312300787605 |
|  | 1 (small) | For fixing the remote controller cord              | 313361275805 | 31361275805  |
| Remote control unit<br>           | 1         |  | 9372266021   | 9372266014   |
| Tapping screw<br>                 | 2         | For installing the remote control unit cord clamp  | 0700181108   | 0700181108   |
| Drain hose insulation<br>         | 1         | Insulates the drain hose and vinyl hose connection | 313806217708 | 313806217708 |
| Remote controller cord<br>        | 1         |  | 9372714010   | 9372714010   |

## OUTDOOR UNIT ACCESSORIES

| Name and Shape  | Q'ty | Part No.                 |                          |
|---|------|--------------------------|--------------------------|
|   |      | AOY25FNAKL<br>AOY25FNANL | AOY25UNAKL<br>AOY25UNANL |
| Drain pipe<br> | 1    | —                        | 9303029015               |
| Drain cap<br>  | 1    | —                        | 313166024302             |



0409G2675

[WWW.ENINDEL.COM](http://WWW.ENINDEL.COM)