

SERVICE MANUAL

Models :
AKY7FASSW
AKY9FASSW

Refrigerant
R410A



CONTENTS

SPECIFICATIONS.....	1
CIRCUIT DIAGRAM...	2
PARTS.....	3
PARTS LIST.....	8

SPECIFICATIONS

ELECTRICAL DATA

MODEL	AKY7FASSW	AKY9FASSW
COOLING CAPACITY	2.15 kW	2.55 kW
POWER SOURCE	230 V	230 V
FREQUENCY	50 Hz	50 Hz
RUNNING CURRENT	3.8 A	4.7 A
INPUT WATTS	0.81 kW	0.99 kW
E.E.R.	2.65 kW/kW	2.57 kW/kW

COMPRESSOR

TYPE	Hermetic type, Rotary type	
DISCRIMINATION	802-100-35	802-284-35
POWER SOURCE	220 - 240 V 50 Hz	220 - 240 V 50 Hz
REFRIGERANT TYPE	R410A	R410A
REFRIGERANT AMOUNT	380 g	540 g

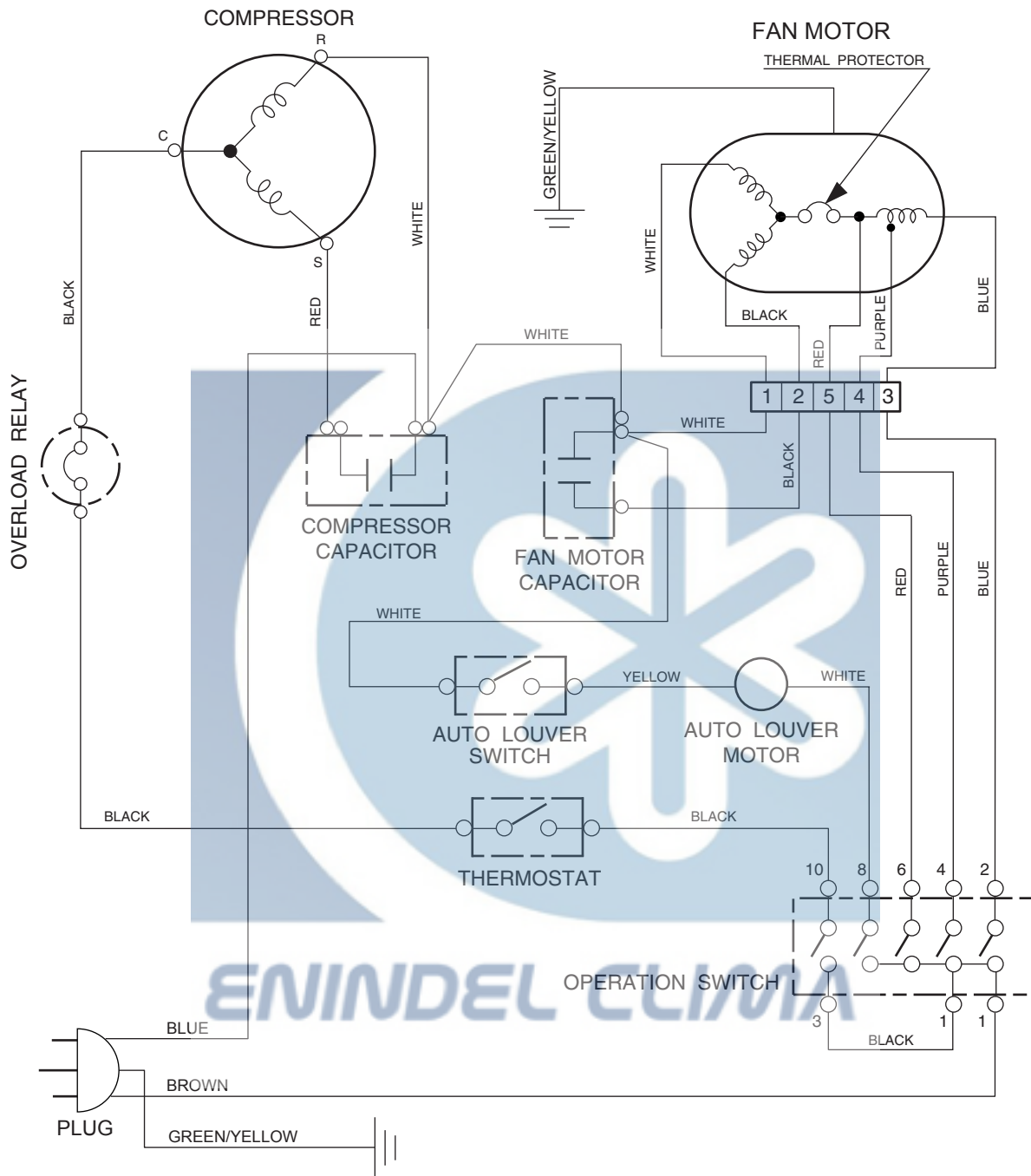
FAN MOTOR

DISCRIMINATION	MFC-10JTT
POWER SOURCE	220 - 240 V 50 Hz
HIGH SPEED	1,050 r.p.m
SUPER QUIET	680 r.p.m.

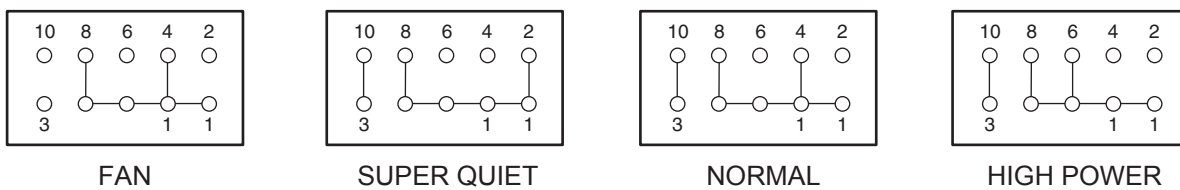
MEASUREMENT

DIMENSIONS	H x W x D	349 x 457 x 581 mm	
WEIGHT	Gross / Net	34 kg / 30 kg	37 kg / 33 kg

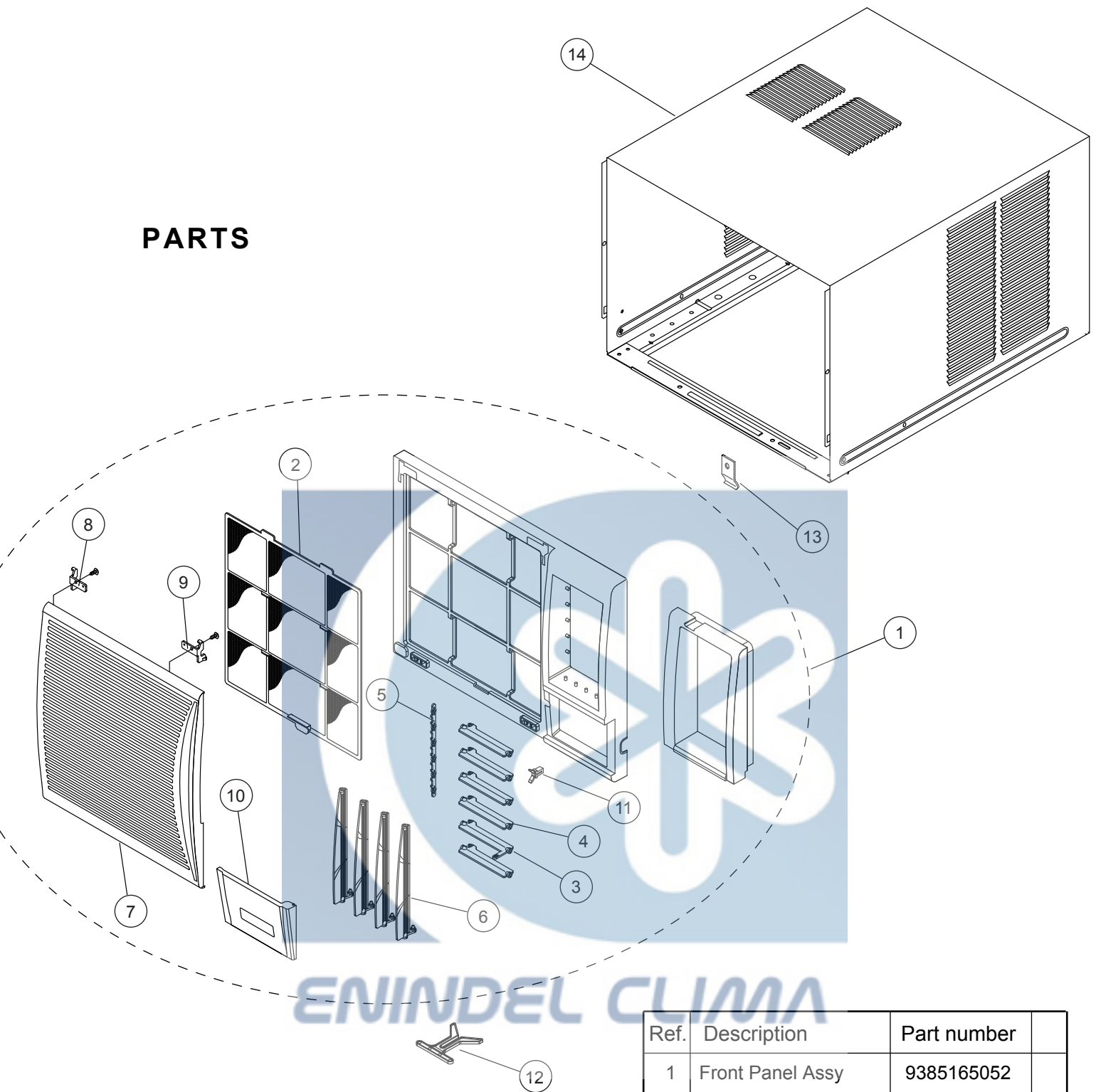
CIRCUIT DIAGRAM



OPERATION SWITCH INTERNAL CONNECTIONS

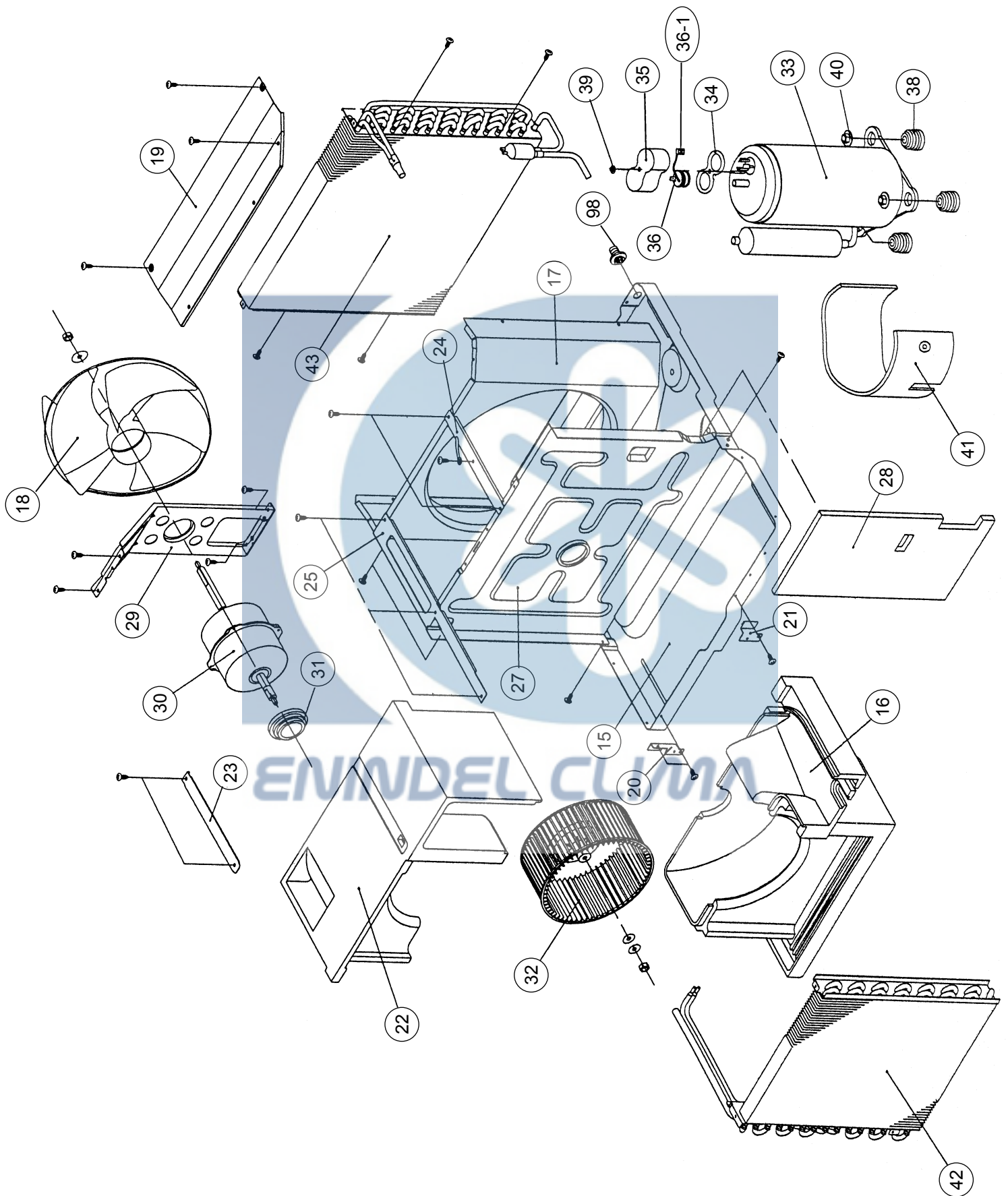


PARTS

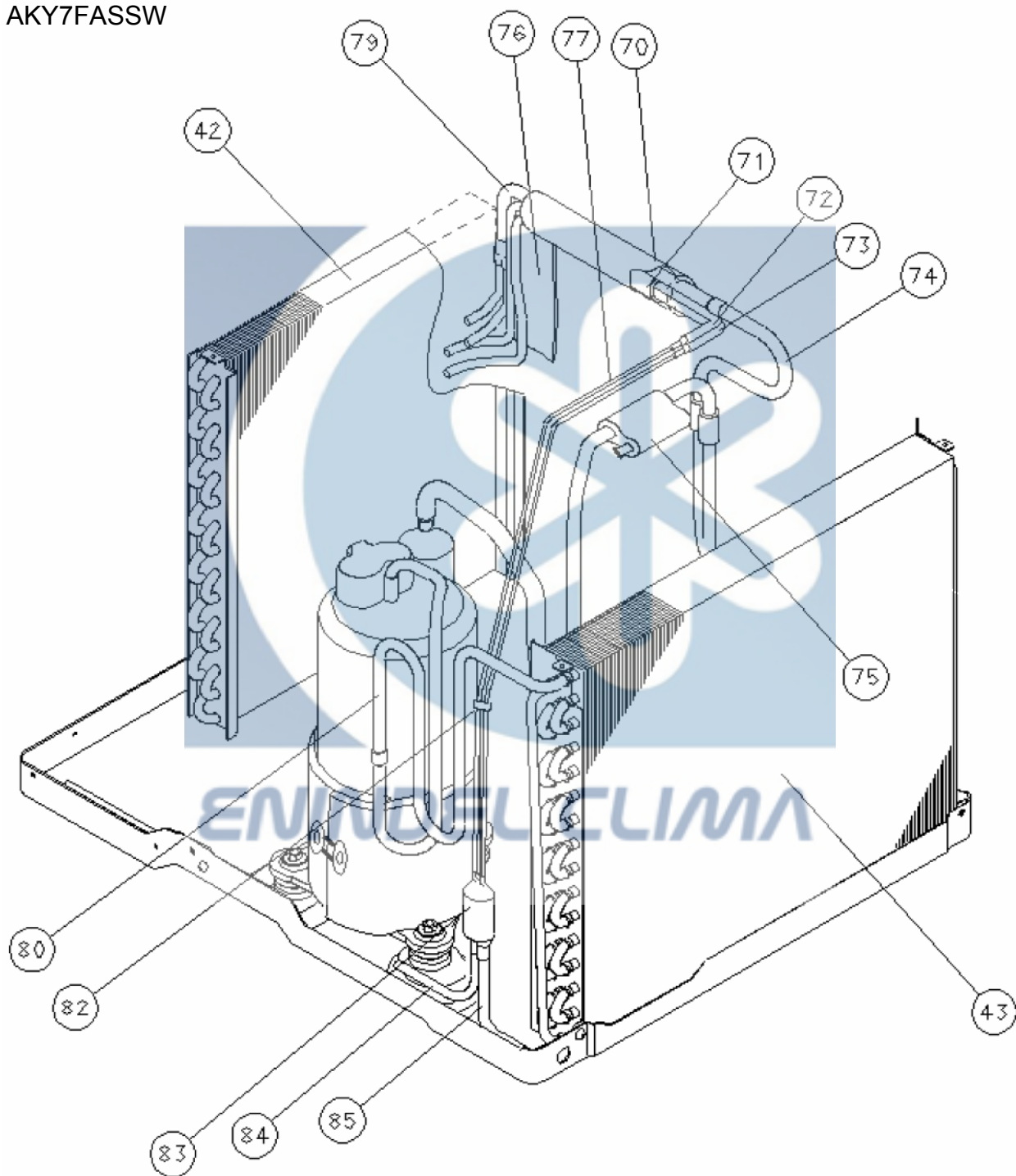


ENINDEL CLIMA

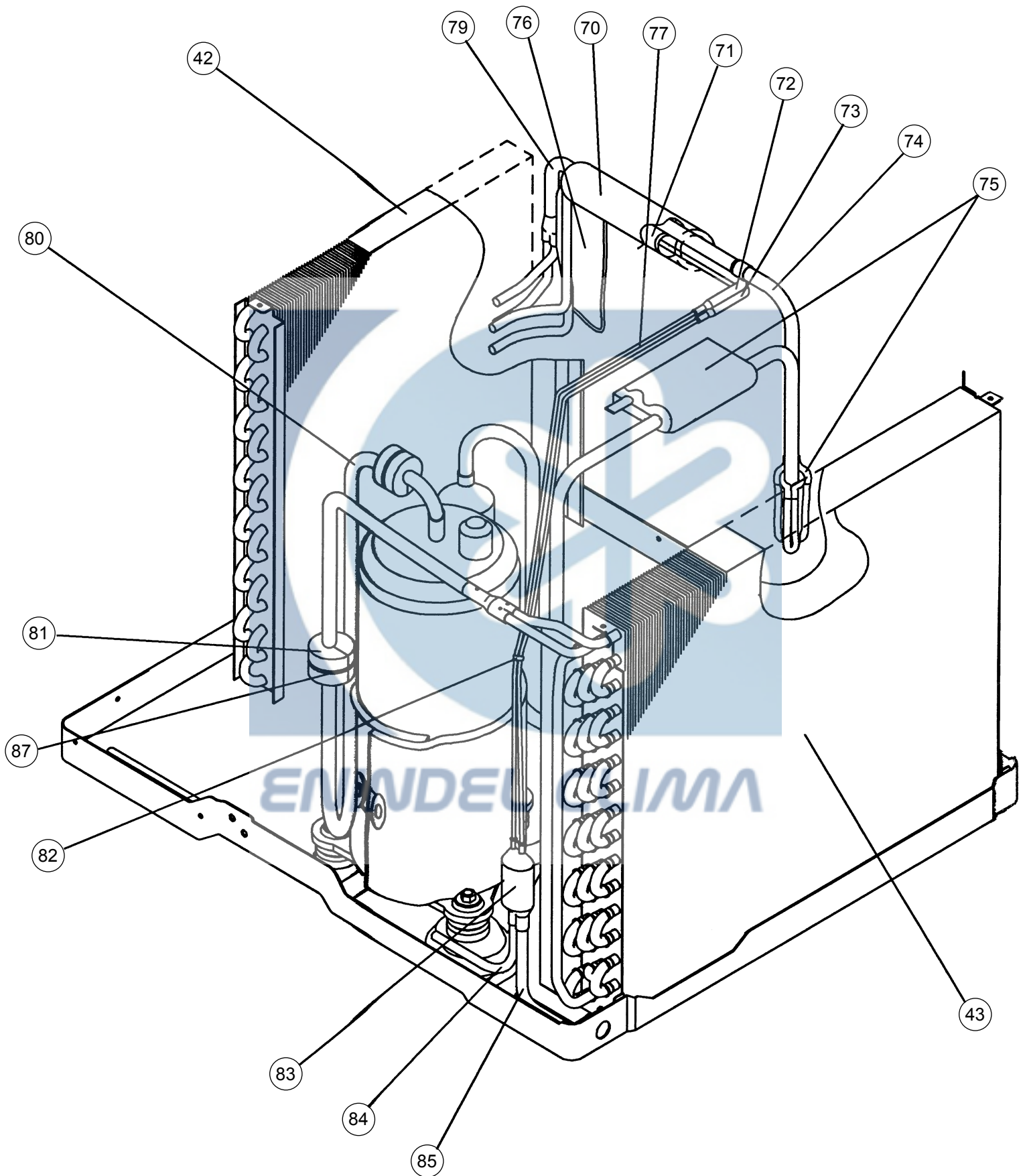
Ref.	Description	Part number
1	Front Panel Assy	9385165052
2	Filter Assy	9370652017
3	Louver A	9370646016
4	Louver B	9370647013
5	Link (Louver) A	9370649017
6	Louver C	9370648010
7	Intake Grill	9370644029
8	Shaft A	9370653014
9	Shaft B	9370654011
10	Door	9370645019
11	Catcher	9356626001
12	Link (Louver) B	9370650013
13	Typoon Lock Bracket	9355799003
14	Cabinet Sub Assy	9385145023
--	Emblem Rear	9385185012

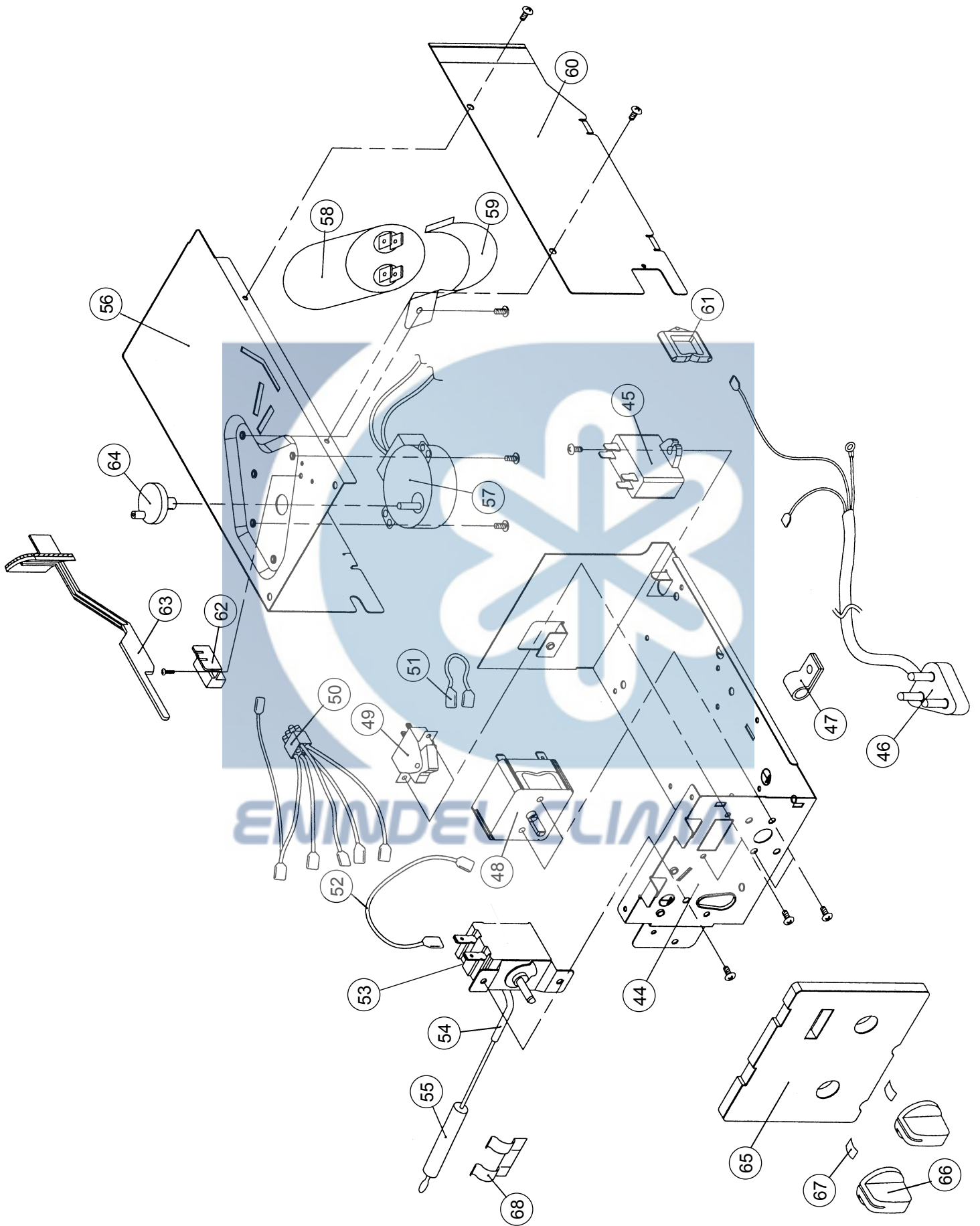


AKY7FASSW



AKY9FASSW





PARTS LIST

Ref.	Description	Part number	
		AKY7FASSW	AKY9FASSW
15	Base Assy	9385143135	9385143111
16	Lower Casing	9385061002	9385061002
17	Wind Guide Board	9385055001	9385055001
18	Propeller Fan	9371012018	9371012018
19	Cover (Wind Guide Board)	9385090002	9385090002
20	Evaporator Fixture-A	9385074002	9385074002
21	Evaporator Fixture-B	9385075009	9385075009
22	Upper Casing	9385060005	9385060005
23	Reinforcement (Casing)-A	9385057005	9385057005
24	Fixture (Out)	9385059009	9385059009
25	Fixture (In)	9385282001	9385282001
27	Separate Wall	9385056008	9385056008
28	S-Ins (Separate)	9385127005	9385127005
29	Bracket (Motor)	9385047006	9385047006
30	Motor, Induct	9601504030	9601504030
31	Buffer, Rubber	9385098008	9385098008
32	Sirroco Fan	9358107010	9358107010
33	Compressor Assy	9370859003	9373112013
34	Cover (Gasket)	9351933012	9351921019
35	Terminal Cover (For Comp.)	9351932015	9351920012
36	OCR Assy	9362307000	9307750007
36-1	Wire (OCR) Assy	9350306022	9350306022
38	Rubber Seat-A	9312680016	9351813017
39	Nut	9370023008	313199233602
40	Special Nut	9359357001	9359357001
41	Cover (Comp.)	9385429024	9385071001
42	Evaporator Assy	9385077010	9385077010
43	Condenser Assy	9385161023	9385082021
44	Control Box-A	9385043008	9385043008
45	Capacitor, Plastic	9703306174	9703306174
46	Power Cord	9900053055	9900053055
47	Clamp (Cord) 1.5AK	9363471007	9363471007
48	Operation Switch	313851060108	313851060108
49	Switch, Seesaw	9354272002	9354272002
50	Wire (Connector)	9385106000	9385106000
51	Wire (Operation Switch)	9356513011	9356513011
52	Wire (Thermostat)	9356512014	9356512014
53	Thermostat	9704193001	9704193001
54	Protection Tube (Thermostat)	313310060308	313310060308
55	Thermostat Holder	313616262803	313616262803
56	Control Box-B	9385044005	9385044005
57	Super Wave Motor	9900167011	9900167011
58	Capacitor, Plastic	9704436054	9704436078
59	Band (Capacitor)	313106061706	313306061707
60	Control Box-C	9385045002	9385045002
61	Edge Saddle	9385149007	9385149007
62	Holder (Exhaust Dumper)	9385041004	9385041004
63	Exhaust Dumper	9385084001	9385084001
64	Louver Arm	9385052000	9385052000
65	Switch Panel	9371001012	9371001012
66	Knob	9358105061	9358105061
67	Knob Spring	313008061010	313008061010
68	Thermo. Spring-A	313668262714	313668262714
70	Ins. (Pipe)	9385129009	9385129009
71	BR Sheet	313612108209	313612108209
72	Inlet Pipe (Eva.)-A	9385093003	9385093003
73	Inlet Pipe (Eva.)-B	9385094000	9385094000
74	Suction Pipe Assy	9385835009	9385415010
75	BR Sheet-B	9351990022	9351990022
76	BR Sheet	313102108205	313102108205
77	Capillary Tube	9385416031	9385416017
79	Outlet Pipe (Eva.) Assy	9385174009	9385174009
80	Discharge Pipe	9385838000	9385417014
81	Cushion (Discharge Pipe)	--	313202086308
82	BNR-C	313361275805	313361275805
83	Strainer	9366685012	9366685012
84	Air Duct Pipe-E	9366687009	9366687009
85	Cond. Pipe	9385439016	9385439016
87	Wire (BIND.)	--	313668348703
98	Drain Tube	9385046009	9385046009



0402J2534

WWW.ENINDEL.COM