

Refrigerant R410A

ROOM AIR CONDITIONER WINDOW TYPE INSTALLATION INSTRUCTION SHEET

(PART No. 9385176034)

For authorized service personnel only.

⚠ WARNING

- ① For the room air conditioner to operate satisfactorily, install it as outlined in this installation instruction sheet.
- ② This installation manual describes the correct connections using the installation set available from our standard parts.
- ③ Have installation work done by authorized service personnel only.
- ④ Never cut the power cord, lengthen or shorten the cord, or change the plug.
- ⑤ Also do not use an extension cord.
- ⑥ Plug in the power cord plug firmly. If the receptacle is loose, repair it before using the room air conditioner.
- ⑦ Do not turn on the power until all installation work is complete.

- Be careful not to scratch the air conditioner when handling it.
- After installation, explain correct operation to the customer, using the operating manual.
- Let the customer keep this installation instruction sheet because it is used when the air conditioner is serviced or moved.
- When repositioning the air conditioner due to renovations, or when transferring to a different location, the removal and reinstallation of the unit requires an additional service charge. Please consult authorized service personnel before moving.

SELECTING THE MOUNTING POSITION

⚠ WARNING

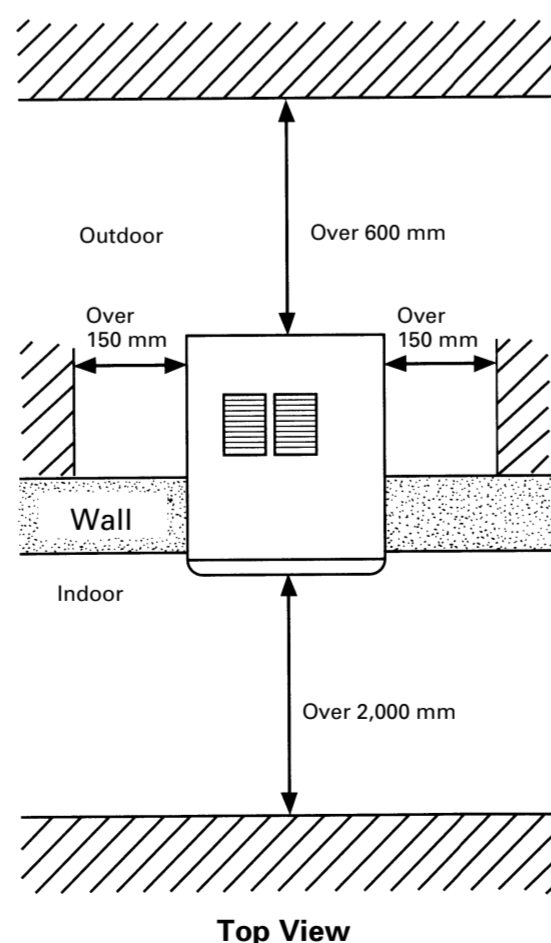
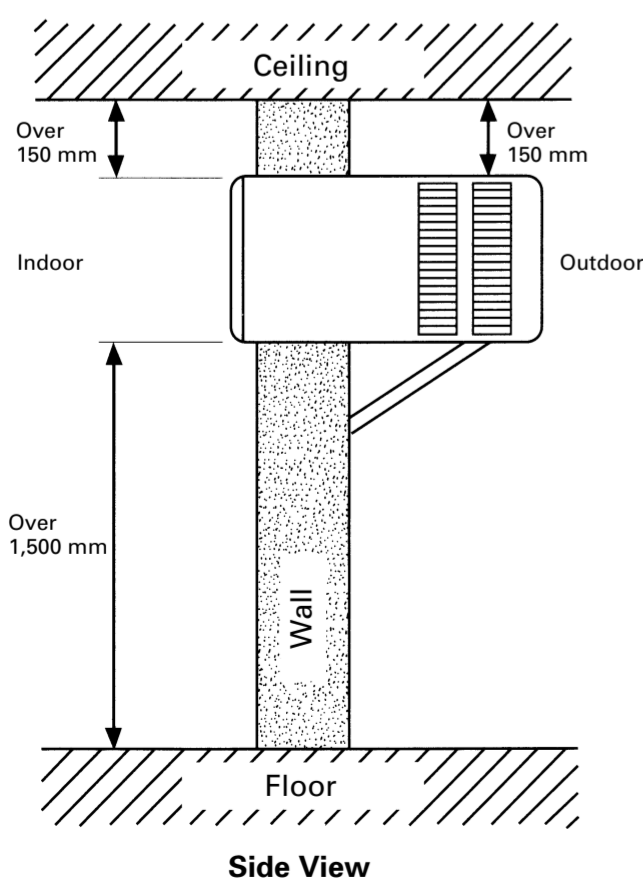
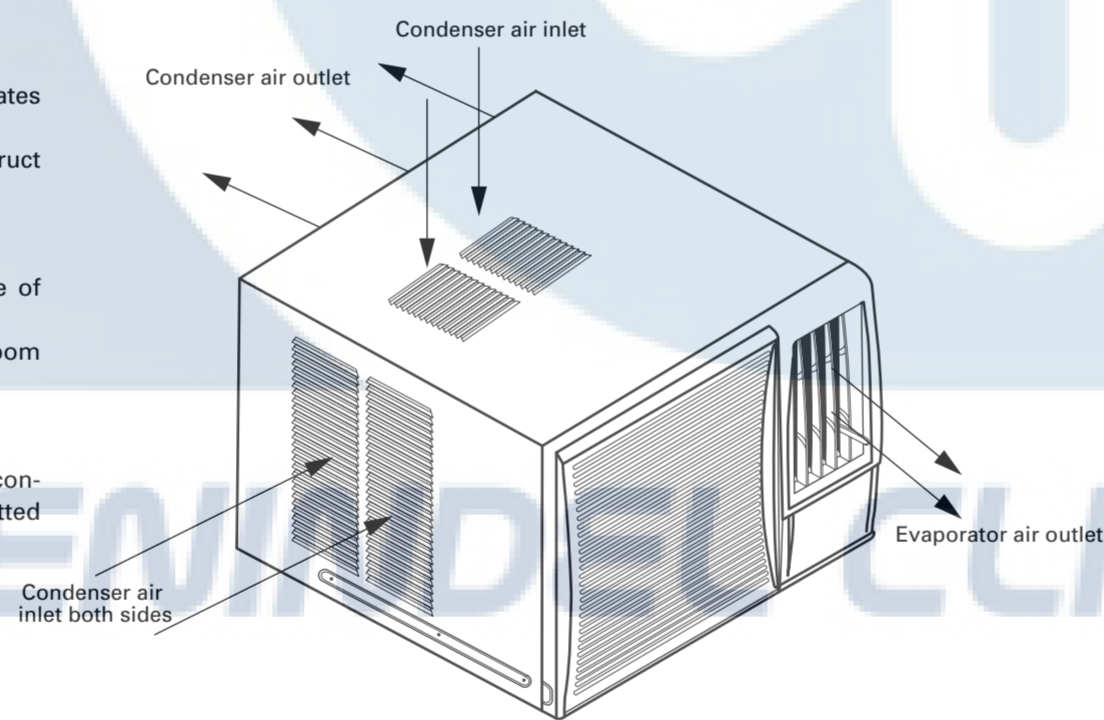
Install at a place that can withstand the weight of the air conditioner units and install positively so that the units will not topple or fall.

⚠ CAUTION

- ① Do not install where there is the danger of combustible gas leakage or near heat sources.
- ② Using in locations where the air is salty such as beside the sea or near hot spring may lead to a malfunction.
- ③ Install in a dry place where there are no draughts.
- ④ When installing the air conditioner unit, take precautions to prevent access to infants. Unexpected accidents could occur.
- ⑤ Condensation from the air conditioner must be drained to an appropriate location.
- ⑥ Make the installation hole slightly bigger than cabinet size.
- ⑦ Install so that the plug is easily accessible and can be disconnected from the electrical supply.

- Especially, the installation place is very important for the window type air conditioner because it is very difficult to move from place to place after the first installation.
- Decide the mounting position together with the customer as follows.

- (1) Select a place where cool air emitted from the air conditioner circulates evenly reaching every part of the room. Make sure that no obstacles both inside and outside the room obstruct the airflow.
- (2) Where practicable, locate the air conditioner with the lower edge of the cabinet approx. 1,500 mm or more from the floor. This usually gives the optimum air circulation pattern within the room for cooling.
- (3) Mounting must be strong enough to support the weight of the air conditioner with sufficient rigidity to prevent vibration being transmitted to windows and the like.
- (4) Where the area around the unit is unobstructed.

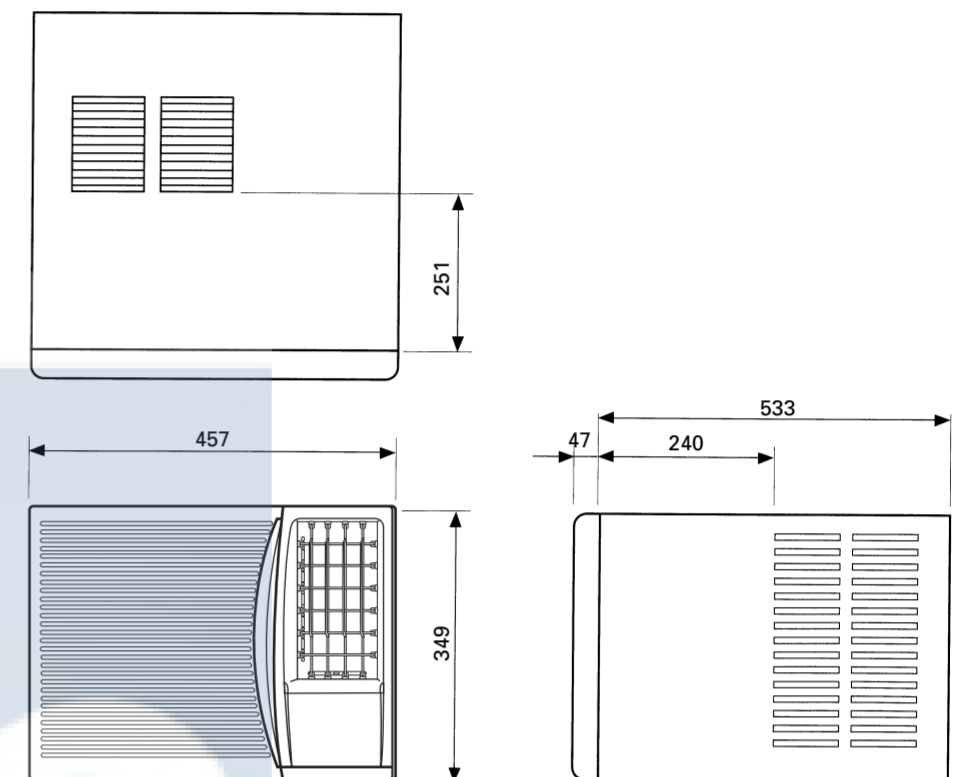


STANDARD PARTS

The following installation parts are furnished. Use them as required.

| No. | Name and Shape | Q'ty | Use |
|-----|-------------------|------|--|
| ① | Gasket | 1 | For filling up a gap between the cabinet and the bottom of the unit. |
| ② | Screw (long) | 1 | For installing the front panel. |
| ③ | Drain Boat | 1 | For exhausting drainage from the unit. ⚠ CAUTION There is a Drain Boat in polyethylene bag near the fan motor. (AK9U only) |
| ④ | Screw (short) | 2 | For installing the drain boat. (AK9U only) |

DIMENSIONS



INSTALLATION PROCEDURE

1

TAKING OUT THE UNIT

1. Loosen screw between Front and unit. (See Fig. 1)
2. Remove the front panel.
Hold the two corners at the bottom of the front panel with both hands, and pull the bottom of the front panel toward you. Then lift the front panel upward to remove it. (See Fig. 2)
3. Remove the grounding wire connecting the cabinet unit. (See Fig. 3)
4. Remove a tapping screw fixing a fixture. (See Fig. 4)
5. Slide out the unit from the cabinet. (See Fig. 5)

Fig. 1

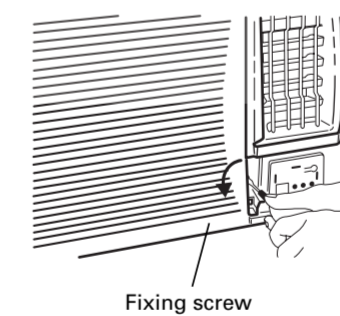


Fig. 2

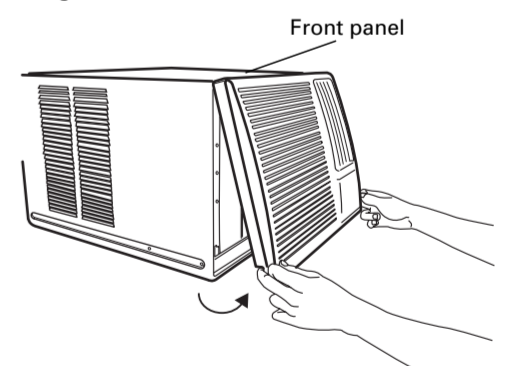


Fig. 3

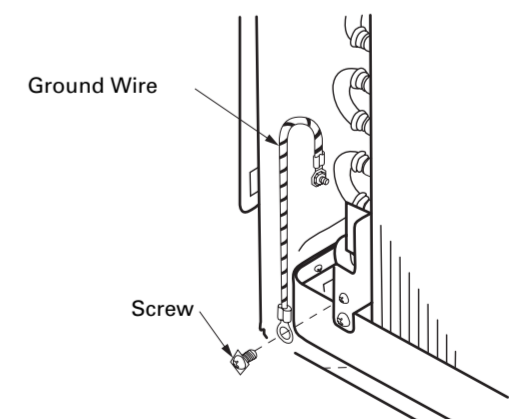


Fig. 4

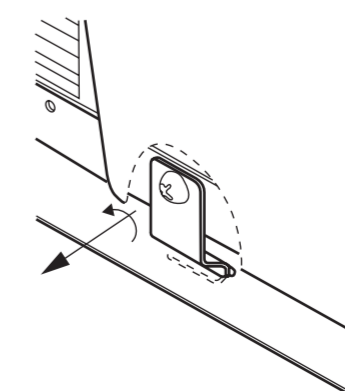
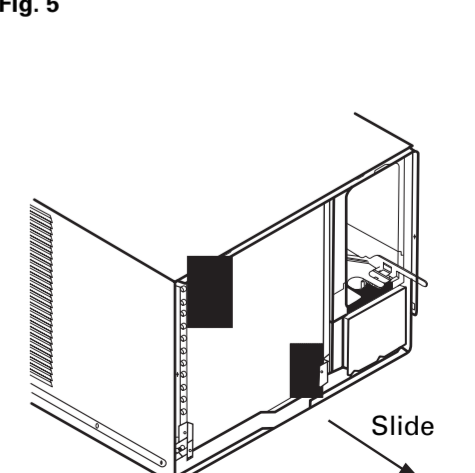


Fig. 5



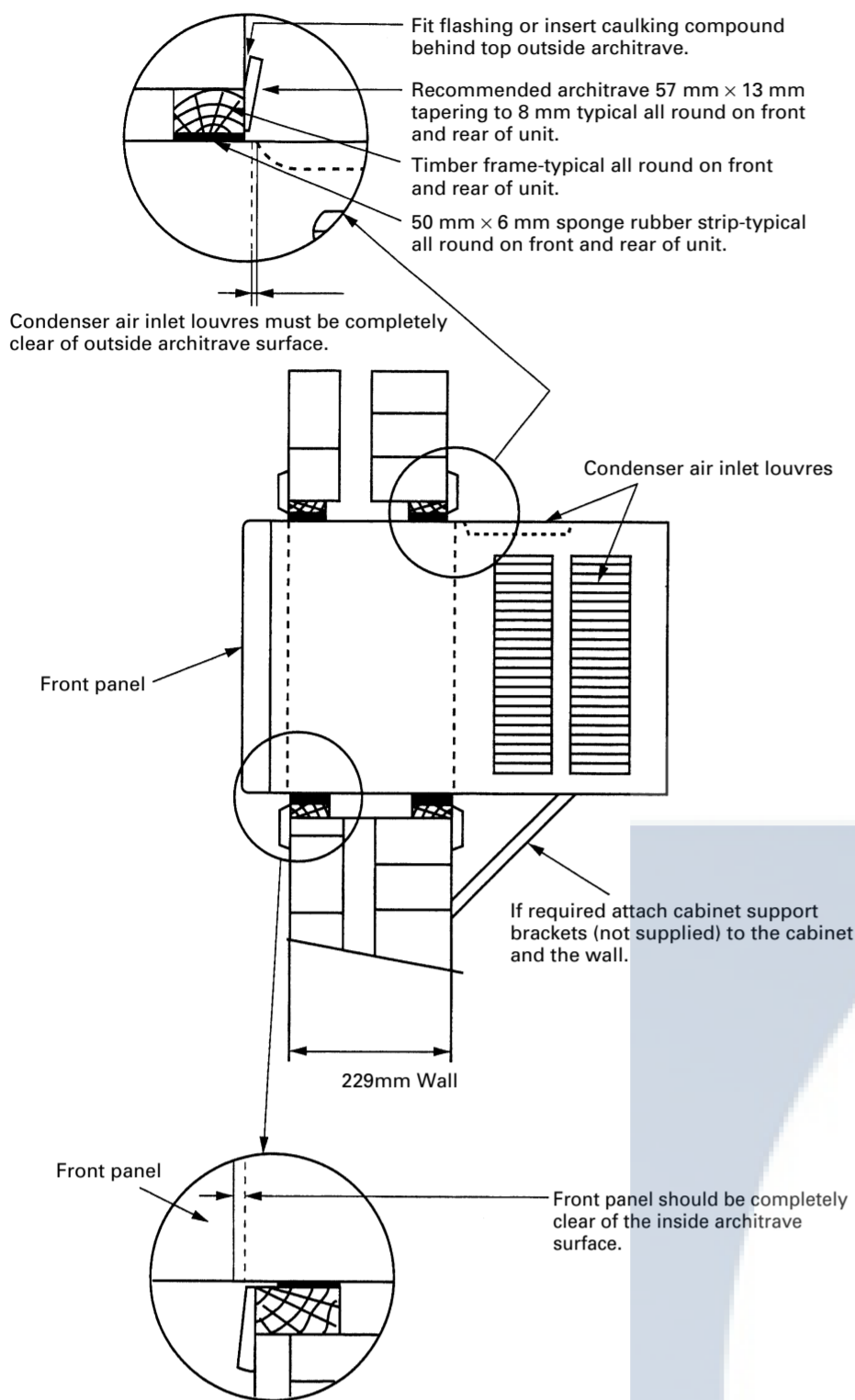
INSTALLING THE CABINET

Typical Installations

With the variety of structural methods and materials encountered in buildings, it is impracticable to provide specific installation details to cover all types. The typical installations illustrated here cover the more common types encountered in homes, offices and commercial buildings. Modifications of the illustrated methods may be necessary to suit specific installations.

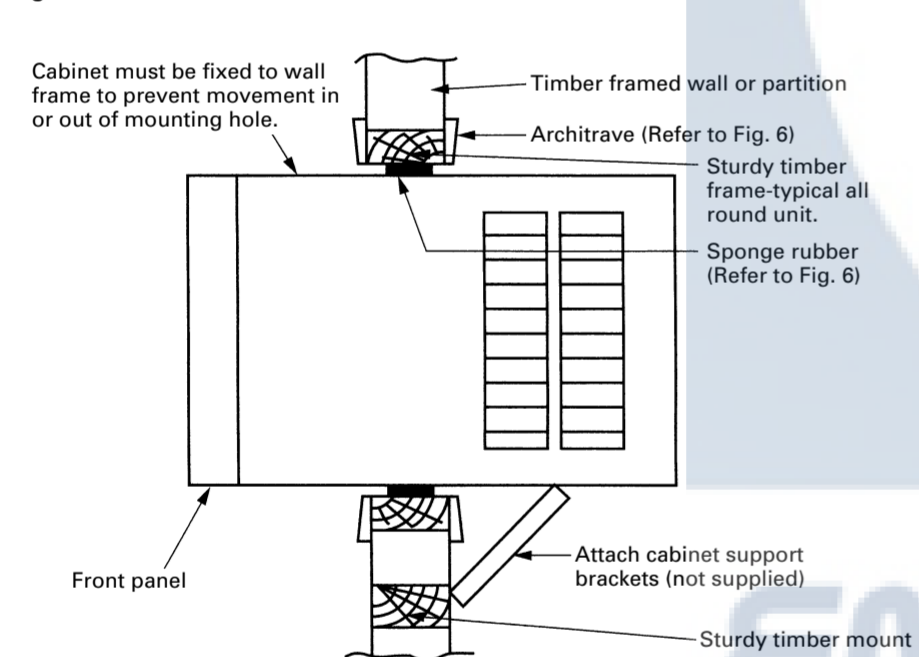
1. Air Conditioner Fitted into 229mm Cavity Wall

Fig. 6 Side View



2. Air Conditioner Fitted into Timber Wall or partition.

Fig. 7 Side View



CAUTION

When fitting the air conditioner in such a thin wall, place it so that its center of gravity is supported by the wall and the cabinet is supported by brackets.

3. Air Conditioner Fitted into Thick Walls.

This diagram applies to the placement of the air conditioner in greater than 229mm Cavity Wall

Fig. 8(1) Top View

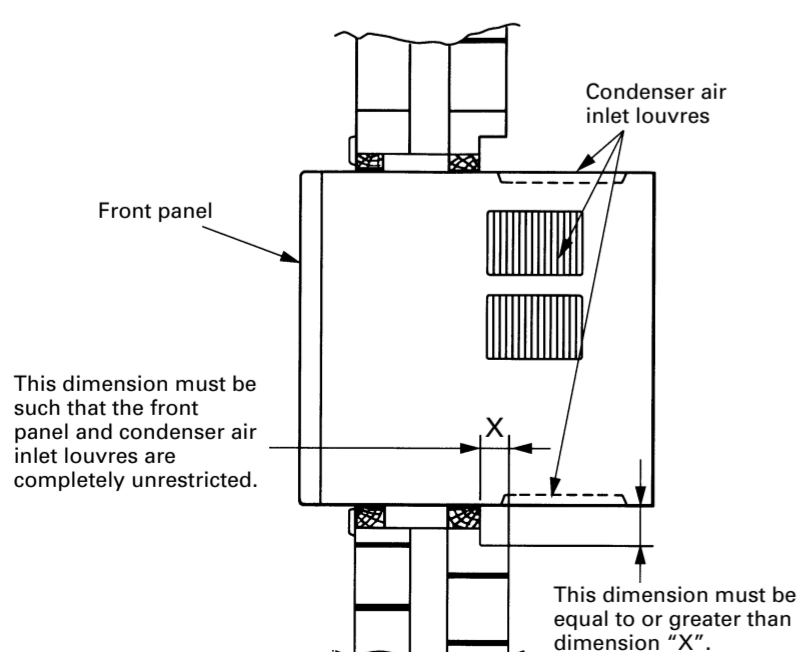
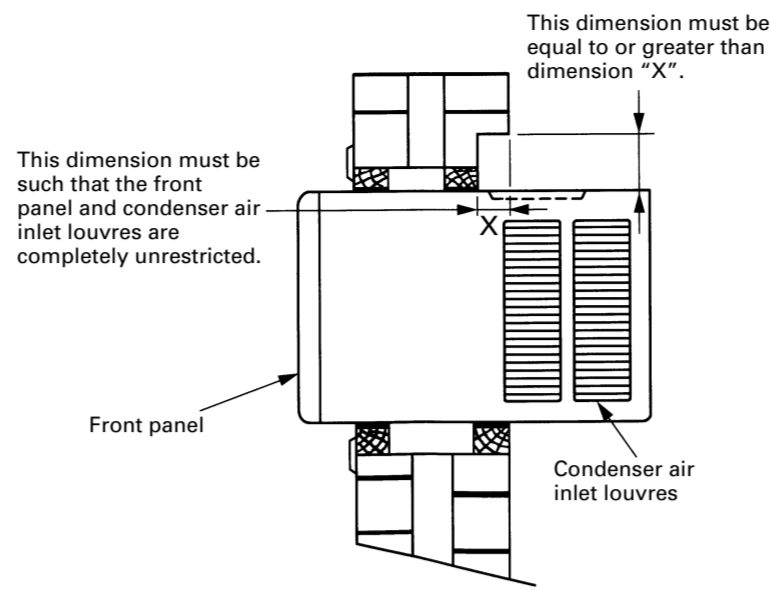


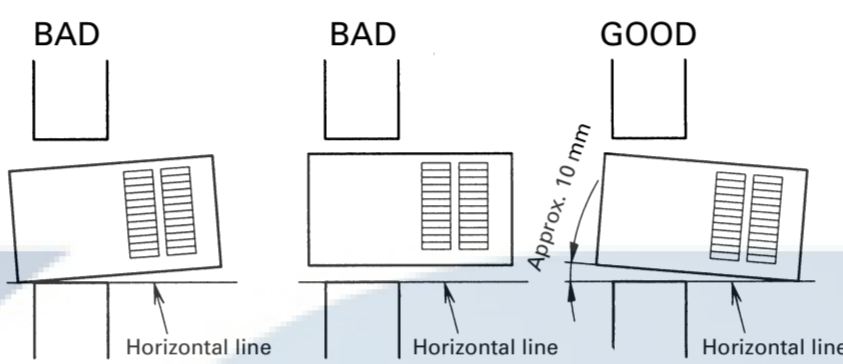
Fig. 8(2) Side View



How to make a solid timber frame

Timber frame inside dimensions are calculated by allowing for the insertion dimensions of the sponge rubber used for shock prevention and sealing. Inside measurements of frame = air conditioner cabinet dimensions + twice the thickness of the rubber strip to be used. The recommended rubber strip is "Industrial Sponge Rubber 50 mm wide x 6 mm thick-black. Shore A Durometer hardness 20-30. Thyle Rubber Co. Pty. Ltd., Serial No. T22".

Inclination of the cabinet



3

INSTALLING THE UNIT INTO THE CABINET

1. Insert the room air conditioner unit into the cabinet, and connect the grounding wire between the unit and cabinet. (See Fig. 9)
2. Fix a fixture with tapping screw. (See Fig. 10)

Fig. 9

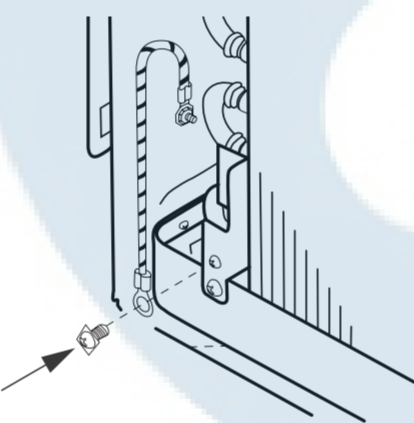
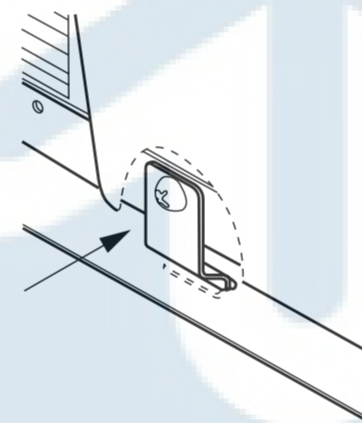


Fig. 10

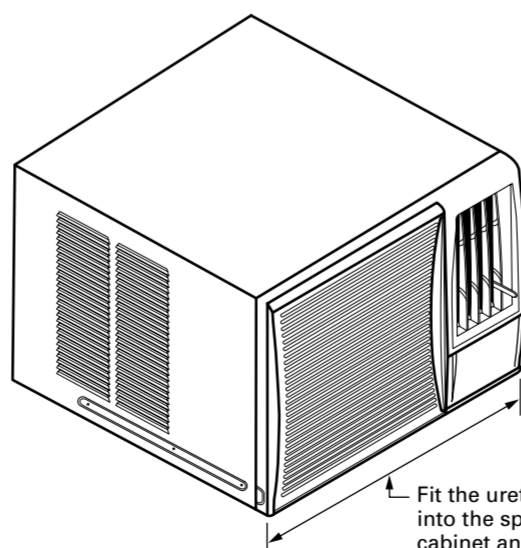


4

GASKET INSTALLATION

Fit the attached gasket into the space between the cabinet and the bottom of the unit with a screwdriver to seal the room inside from the outside. (See Fig. 11)

Fig. 11



5

INSTALLING THE FRONT PANEL

1. Firstly the front panel is inserted in two upper hooks and secondly it's inserted in two lower hooks. The moving pole is inserted in a link plate surely. (See Fig. 12)
2. Adjust the position so that light of the unit's display could be seen from the front panel's display. After adjusting, fasten the screws. (See Fig. 13)

Fig. 12

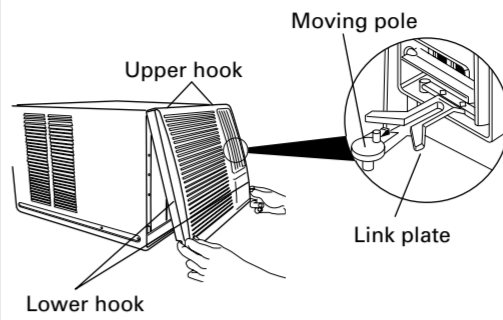
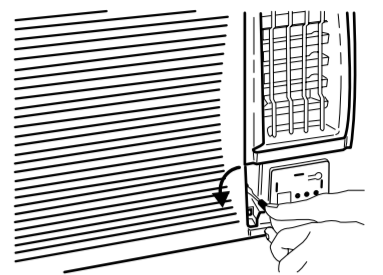


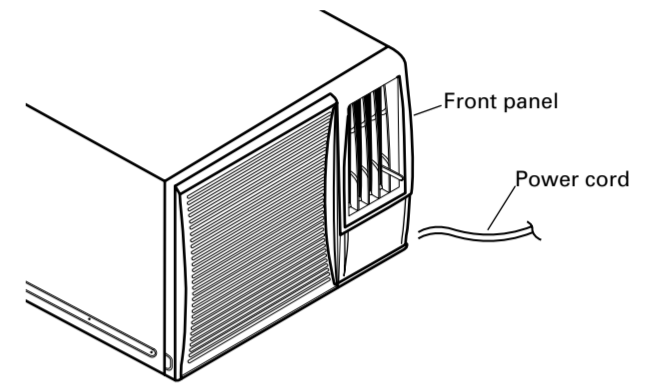
Fig. 13



Routing the power cord

Pull the power cord out from the right side of the front panel.

Fig. 14



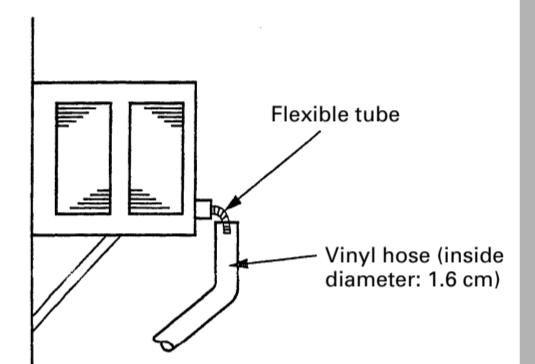
6

DRAINAGE WORK

1. AK7F, AK9F

Plug an attached flexible tube into the drain pipe and connect a vinyl hose or a substitute to the flexible tube for water drainage. (See Fig. 15)

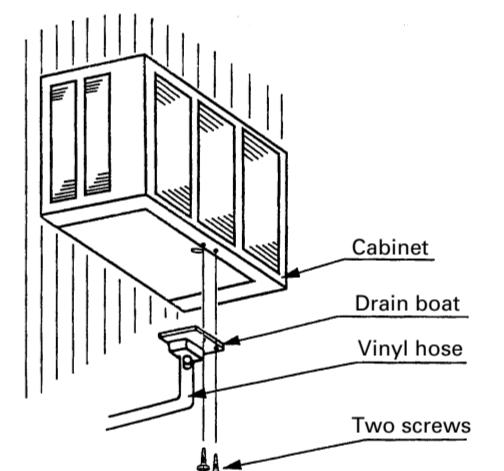
Fig. 15



2. AK9U

Fix the accessory drain boat to the bottom of cabinet and connect a sort of vinyl hose to it for water drainage. (See Fig. 16)

Fig. 16



CAUTION

If the drainage work is abnormal (a broken pipe, an extremely long horizontal pipe, an unstraight pipe, for instance), the water may overflow the piping.

7

POWER SUPPLY

WARNING

- ① The rated voltage of this product is 220-240V AC 50Hz.
- ② Before turning on the power, verify that the voltage is within the 198V to 264V range.
- ③ Always use a special branch circuit and install a special receptacle to supply power to the room air conditioner.
- ④ Use a circuit breaker and receptacle matched to the capacity of the air conditioner. (Fuse-breaker rating : 10A)
- ⑤ The circuit breaker is installed in the permanent wiring. Always use a circuit that can trip all the poles of the wiring and has an isolation distance of at least 3 mm between the contacts of each pole.
- ⑥ Do not extend the power cord.
- ⑦ Install a leakage circuit breaker in accordance with the related laws and regulations and electric company standards.

CAUTION

- ① The power source capacity must be the sum of the air conditioner current and the current of other electrical appliances. When the current contracted capacity is insufficient, change the contracted capacity.
- ② When the voltage is low and the air conditioner is difficult to start, contact the power company to have the voltage raised.