



**ELECTRICAL WIRING**

**⚠ WARNING**

- Before starting work, check that power is not being supplied to the indoor unit and outdoor unit.
- Match the terminal board numbers and connection cord colors with those of the outdoor unit. Erroneous wiring may cause burning of the electric parts.
- Connect the connection cords firmly to the terminal board. Imperfect installation may cause a fire.
- Always fasten the outside covering of the connection cord with the cord clamp. (If the insulator is chafed, electric leakage may occur.)
- Always connect the ground wire.

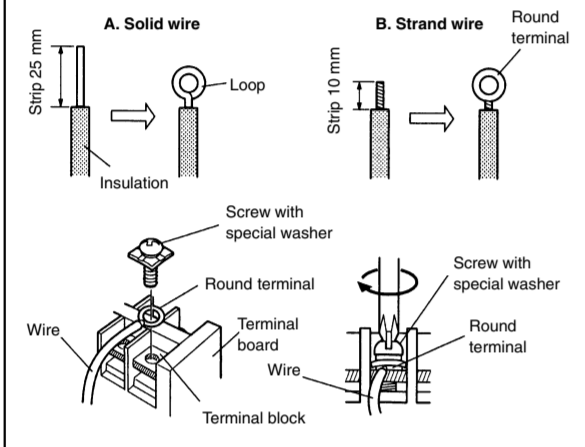
**HOW TO CONNECT WIRING TO THE TERMINALS**

**A. For solid core wiring (or F-cable)**

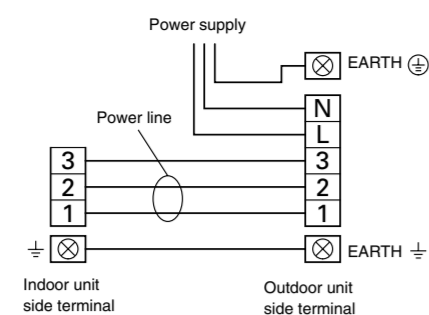
- Cut the wire end with a wire cutter or wire-cutting pliers, then strip the insulation to about 25 mm to expose the solid wire.
- Using a screwdriver, remove the terminal screw(s) on the terminal board.
- Using pliers, bend the solid wire to form a loop suitable for the terminal screw.
- Shape the loop wire properly, place it on the terminal board and tighten securely with the terminal screw using a screwdriver.

**B. For strand wiring**

- Cut the wire end with a wire cutter or wire-cutting pliers, then strip the insulation to about 10 mm to expose the strand wiring.
- Using a screwdriver, remove the terminal screw(s) on the terminal board.
- Using a round terminal fastener or pliers, securely clamp a round terminal to each stripped wire end.
- Position the round terminal wire, and replace and tighten the terminal screw using a screwdriver.

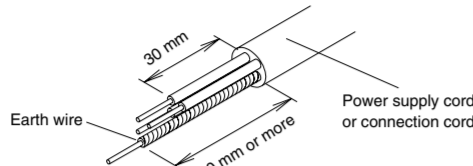


**1. CONNECTION DIAGRAMS**



**2. CONNECTION CORD PREPARATION**

Keep the earth wire longer than the other wires.



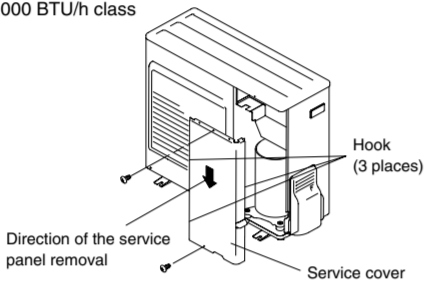
**3. OUTDOOR UNIT**

**⚠ CAUTION**

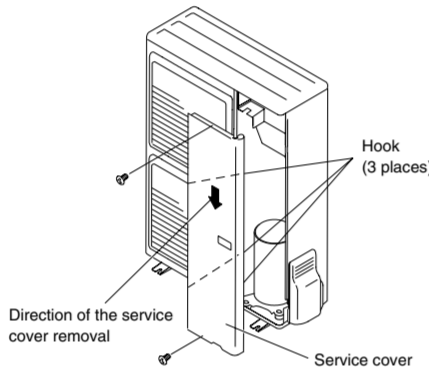
When connecting the power supply cord, make sure that the phase of the power supply matches with the phase of the terminal board. If the phases do not match, the compressor will rotate in reverse and will not be able to compress.

- Service cover removal
  - Remove the two mounting screws.
  - Remove the service cover by pushing downwards.

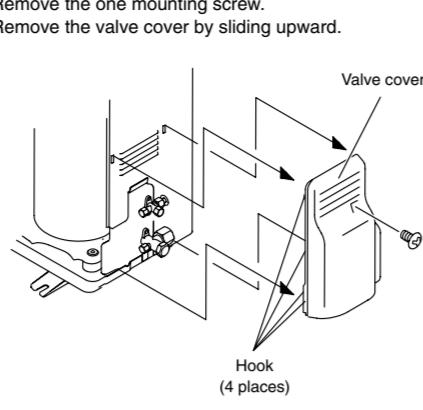
- 30,000 BTU/h class
- 36,000 BTU/h class



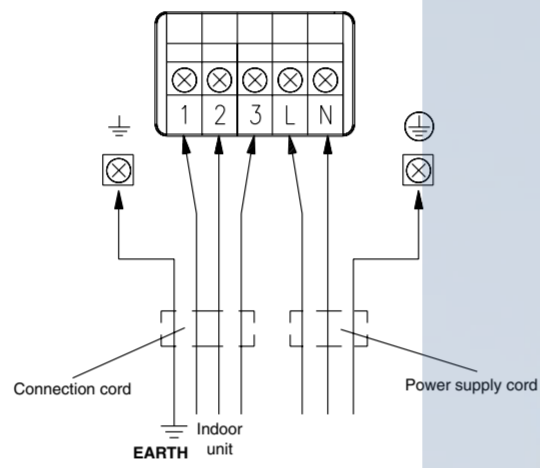
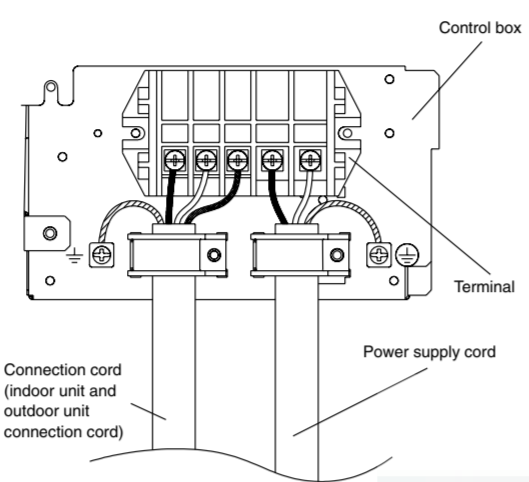
- 45,000 BTU/h class
- 54,000 BTU/h class



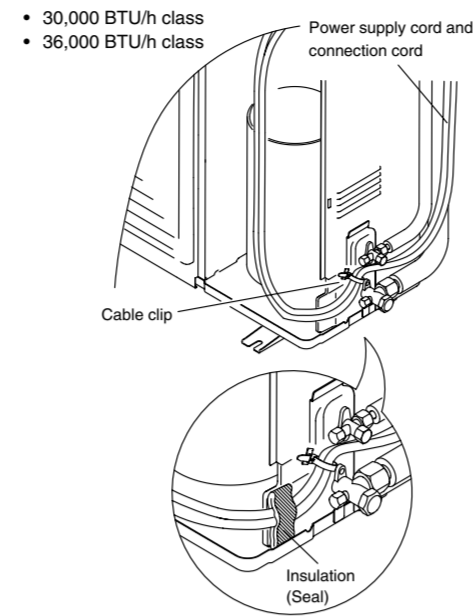
- Valve cover removal
  - Remove the one mounting screw.
  - Remove the valve cover by sliding upward.



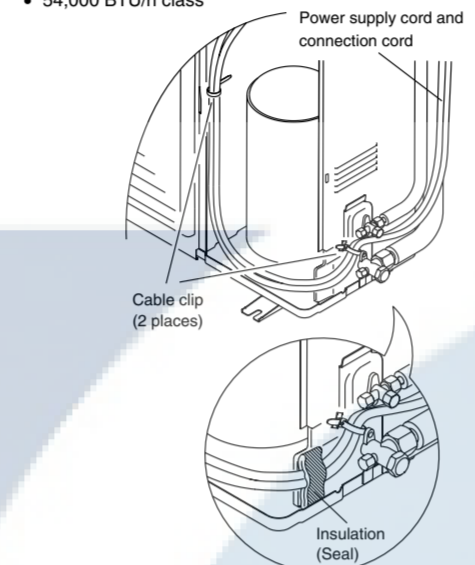
- Connect the power supply cord and the connection cord to terminal.
- Fasten the power supply cord and connection cord with cord clamp.



- Power supply cord and connection cord should be fixed with cable clip as shown in the figure. Fill in a gap at the entrance of the cords with insulation (seal).

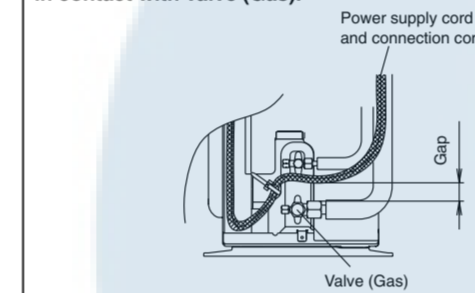


- 30,000 BTU/h class
- 36,000 BTU/h class



**⚠ CAUTION**

Do not make power supply cord and connection cord come in contact with valve (Gas).



- Put the service cover and valve cover back after completion of the work.

**TEST RUN**

**⚠ CAUTION**

Always turn on the power 12 hours prior to the start of the operation in order to ensure compressor protection

- Make a TEST RUN in accordance with the installation instruction sheet for the indoor unit.

**2. OUTDOOR UNIT LEDS**

When a malfunction occurs in the outdoor unit, the LED on the circuit board lights to indicate the error. Refer to the following table for the description of each error according to the LED.

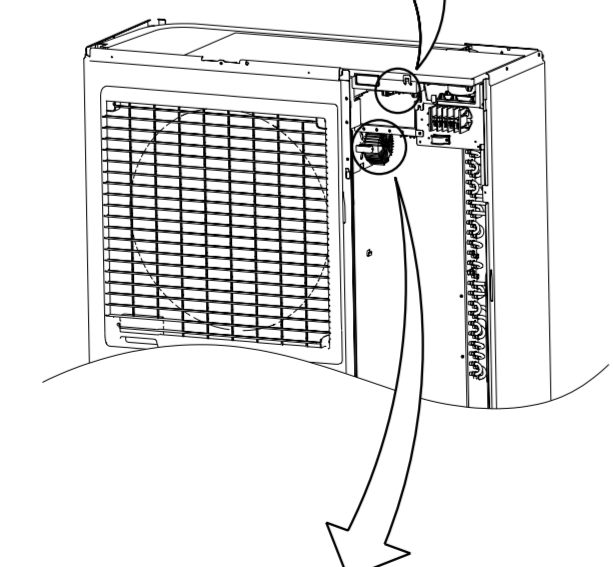
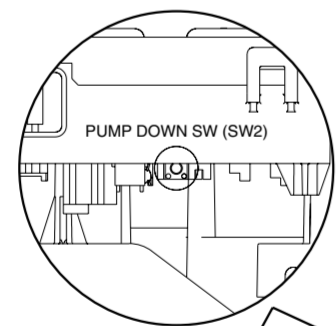
LED	Error contents
1 flash	Communication error (Indoor unit - Outdoor unit)
2 flash	Discharge pipe temperature sensor
3 flash	Outdoor heat exchanger temperature sensor
4 flash	Outdoor temperature sensor
7 flash	Compressor temperature sensor
8 flash	Heat sink temperature sensor
9 flash	Pressure switch abnormal
12 flash	IPM error
13 flash	Compressor rotor position cannot detect
14 flash	Compressor cannot operate
15 flash	Outdoor fan abnormal (upper fan)
16 flash	Outdoor fan abnormal (lower fan)
5 sec. ON/ 1 sec. OFF repeated lighting	Protect operation
	No error

**SPECIAL INSTALLATION SETTING**

**PUMP DOWN (Refrigerant collecting operation)**

Perform the following procedures to collect the refrigerant when moving the indoor unit or the outdoor unit.

- Press the push-button switch (SW2) on the circuit board once. The LED on the circuit board starts flashing (one second ON/one second OFF). This indicates the start of PUMP DOWN operation. When the switch is pressed while the compressor is in operation, PUMP DOWN operation starts automatically. When the switch is pressed while the compressor is in stop, the compressor starts to operate automatically, and then move on to PUMP DOWN operation.
- PUMP DOWN operation continues for about 1 minute. When PUMP DOWN operation is completed, the compressor stops automatically. Then close the 2-way valve and 3-way valve immediately.
- Turn the power off.



**⚠ DANGER**

This part (Choke coil) generates high voltages. Never touch this part.

ENINDEL CLIMA