

SPLIT TYPE ROOM AIR CONDITIONER

WALL MOUNTED type

SERVICE MANUAL



Models	Indoor unit	Outdoor unit
	ASY18FBAJ	AOY18FNAK
	ASY18FBBJ	AOY18FNBK
	ASY18UBAJ	AOY18UNAKL
	ASY18UBBJ	AOY18UNBKL
	ASY24FBBJ	AOY24FNBK
	ASY24UBBJ	AOY24UNBKL
	ASY30FBBJ	AOY30FNBDL
	ASY30UBBJ	AOY30UNBDL

(made in Thailand)

ASY18FBBN	AOY18FNBN
ASY18UBBN	AOY18UNBNL
ASY24FBBN	AOY24FNBN
ASY24UBBN	AOY24UNBNL

(made in China)

CONTENTS

SPECIFICATIONS	1
OUTLINE AND DIMENSIONS	3
REFRIGERANT SYSTEM DIAGRAM	5
CIRCUIT DIAGRAM	8
ERROR DISPLAY	13
PCB CIRCUIT DIAGRAM	15
DISASSEMBLY ILLUSTRATION (Indoor Unit)	17
DISASSEMBLY ILLUSTRATION (Outdoor Unit)	21
PARTS LIST (Indoor Unit)	32
PARTS LIST (Outdoor Unit)	36

SPECIFICATIONS

TYPE	Cool			
INDOOR UNIT	ASY18FBAJ	ASY18FBBJ ASY18FBBN	ASY24FBBJ ASY24FBBN	ASY30FBBJ
OUTDOOR UNIT	AOY18FNAK	AOY18FNBK AOY18FNBN	AOY24FNBK AOY24FNBN	AOY30FNBDL
COOLING CAPACITY (kW)	5.40		6.80	7.90

ELECTRICAL DATA

POWER SOURCE (V)	230			
FREQUENCY (Hz)	50			
RUNNING CURRENT (A)	7.3	8.5	10.6	13.0
INPUT WATTS (kW)	1.66	1.90	2.40	2.75
E.E.R. (kW/kW)	3.25	2.84	2.83	2.87
MOISTURE REMOVAL (ℓ/hr)	2.0		2.5	3.0
AIR CIRCULATION-Hi (m³/hr)	950	795	950	1,040

COMPRESSOR

TYPE	Hermetic type, Deposit electrode condenser, 2 poles. Single phase, Induction motor, Rotary			
DISCRIMINATION	5KS205DAB	5KS225DAC	5JS290DAA	5JS315DAD
REFRIGERANT R410A (g)	1,450	900	1,550	2,300

FAN MOTOR

POWER SOURCE (V)	230			
INDOOR UNIT	DISCRIMINATION	MFA-30HTT		
	HI-SPEED (r.p.m.)	1,190	1,040	1,190
	MED-SPEED (r.p.m.)	980	890	1,020
	LO-SPEED (r.p.m.)	760		880
OUTDOOR UNIT	DISCRIMINATION	MFB-24JTT		MFB-30NTAT
	HI-SPEED (r.p.m.)	780		730
	LO-SPEED (r.p.m.)	----		450

DIMENSIONS

INDOOR UNIT H x W x D (mm)	320 x 1,120 x 220		
OUTDOOR UNIT H x W x D (mm)	650 x 830 x 320	900 x 900 x 350	

WEIGHT

INDOOR UNIT GROSS / NET (kg)	22 / 16			
OUTDOOR UNIT GROSS / NET (kg)	55 / 51	51 / 47	62 / 58	85 / 73

REFRIGERANT CHARGE (R410A)

FULL CHARGE AMOUNT	Pipe Length	7.5 m (25 ft)	1,450 g (51.1 oz)	900 g (31.8 oz)	1,550 g (54.7 oz)	2,300 g (81.1 oz)
		10 m (33 ft)	1,500 g (54.6 oz)	950 g (33.5 oz)	1,600 g (56.4 oz)	2,350 g (82.9 oz)
		15 m (49 ft)	1,600 g (56.4 oz)	1,050 g (37.0 oz)	1,700 g (60.0 oz)	2,450 g (86.4 oz)
		20 m (66 ft)	1,700 g (60.0 oz)	1,150 g (40.6 oz)	1,800 g (63.5 oz)	2,550 g (89.9 oz)
		25 m (82 ft)	-	-	-	2,650 g (93.5 oz)
		30 m (98 ft)	-	-	-	2,750 g (97.0 oz)
ADDITIONAL REFRIGERANT		20 g / m (0.215 oz / ft)				

TYPE		Cool and Heat			
INDOOR UNIT		ASY18UBAJ	ASY18UBBJ ASY18UBBN	ASY24UBBJ ASY24UBBN	ASY30UBBJ
OUTDOOR UNIT		AOY18UNAKL	AOY18UNBKL AOY18UNBNL	AOY24UNBKL AOY24UNBNL	AOY30UNBDL
COOLING CAPACITY	(kW)	5.40		6.80	7.90
HEATING CAPACITY	(kW)	5.70		7.40	8.40

ELECTRICAL DATA

POWER SOURCE	(V)	230			
FREQUENCY	(Hz)	50			
RUNNING CURRENT (Cool)	(A)	7.3	8.3	10.6	13.0
RUNNING CURRENT (Heat)	(A)	7.0	8.3	10.5	13.0
INPUT WATTS (Cool)	(kW)	1.66	1.85	2.40	2.75
INPUT WATTS (Heat)	(kW)	1.58	1.85	2.40	2.75
E.E.R. (Cool)	(kW/kW)	3.25	2.92	2.83	2.87
E.E.R. (Heat)	(kW/kW)	3.61	3.08	3.08	3.05
MOISTURE REMOVAL	(ℓ /hr)	2.0		2.50	3.0
AIR CIRCULATION-Hi	(m ³ /hr)	950	800	970	1,040

COMPRESSOR

DISCRIMINATION	Hermetic type, Deposit electrode condenser, 2 poles. Single phase, Induction motor, Rotary				
CODE	5KS205DAB	5KS225DAC	5JS290DAA	5JS315DAD	
REFRIGERANT	R410A (g)	1,550	1,550	1,700	2,300

FAN MOTOR

POWER SOURCE	(V)	230			
INDOOR UNIT	DISCRIMINATION	MFA-30HTT			
	HI-SPEED (r.p.m.)	1,190	1,040	1,190	1,310
	MED-SPEED (r.p.m.)	980	890	1,020	1,180
	LO-SPEED (r.p.m.)	760		880	980
OUTDOOR UNIT	DISCRIMINATION	MFB-24JTBT			MFB-30NTAT
	HI- SPEED (r.p.m.)	780			730
	LO-SPEED (r.p.m.)	400			450

DIMENSIONS

INDOOR UNIT	H x W x D (mm)	320 x 1,120 x 220		
OUTDOOR UNIT	H x W x D (mm)	650 x 830 x 320		900 x 900 x 350

WEIGHT

INDOOR UNIT	GROSS / NET (kg)	22 / 16		
OUTDOOR UNIT	GROSS / NET (kg)	56 / 52	63 / 59	86 / 74

REFRIGERANT CHARGE (R410A)

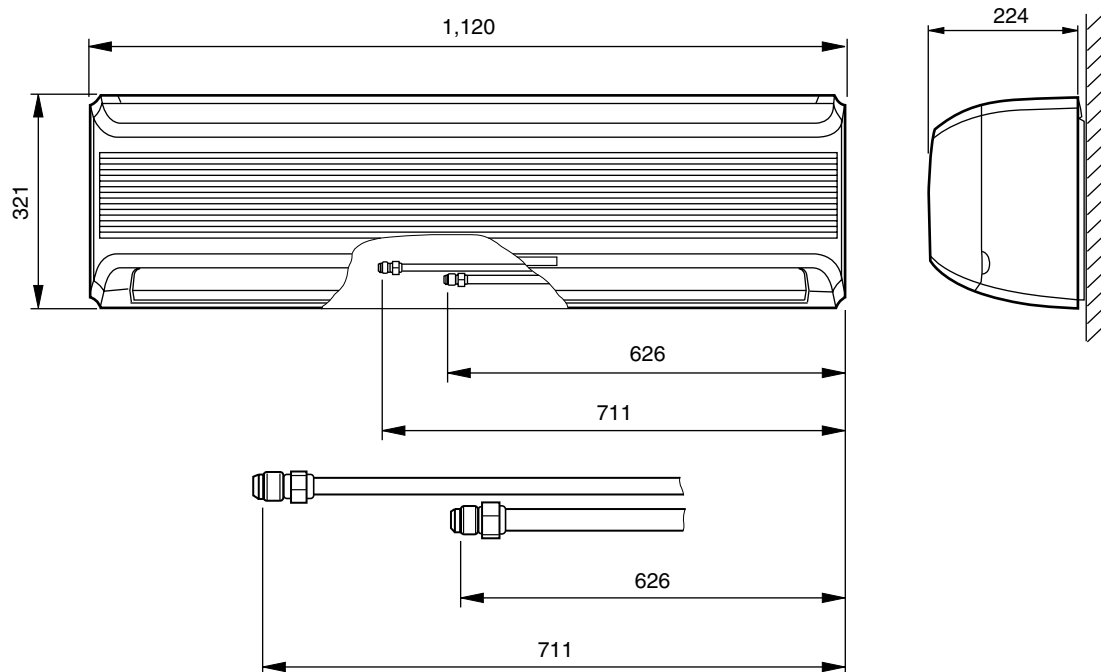
FULL CHARGE AMOUNT	Pipe Length	7.5 m (25 ft)	1,550 g (54.7 oz)	1,700 g (60.0 oz)	2,300 g (81.1 oz)
		10 m (33 ft)	1,600 g (54.6 oz)	1,800 g (63.5 oz)	2,400 g (84.7 oz)
		15 m (49 ft)	1,700 g (60.0 oz)	2,000 g (70.6 oz)	2,600 g (91.7 oz)
		20 m (66 ft)	1,800 g (63.5 oz)	2,200 g (77.6 oz)	2,800 g (98.8 oz)
		25 m (82 ft)	-	-	3,000 g (105.8 oz)
ADDITIONAL REFRIGERANT		20 g / m (0.215 oz / ft)		40g / m (0.43 oz / ft)	

OUTLINE AND DIMENSIONS

Unit : mm

INDOOR UNIT

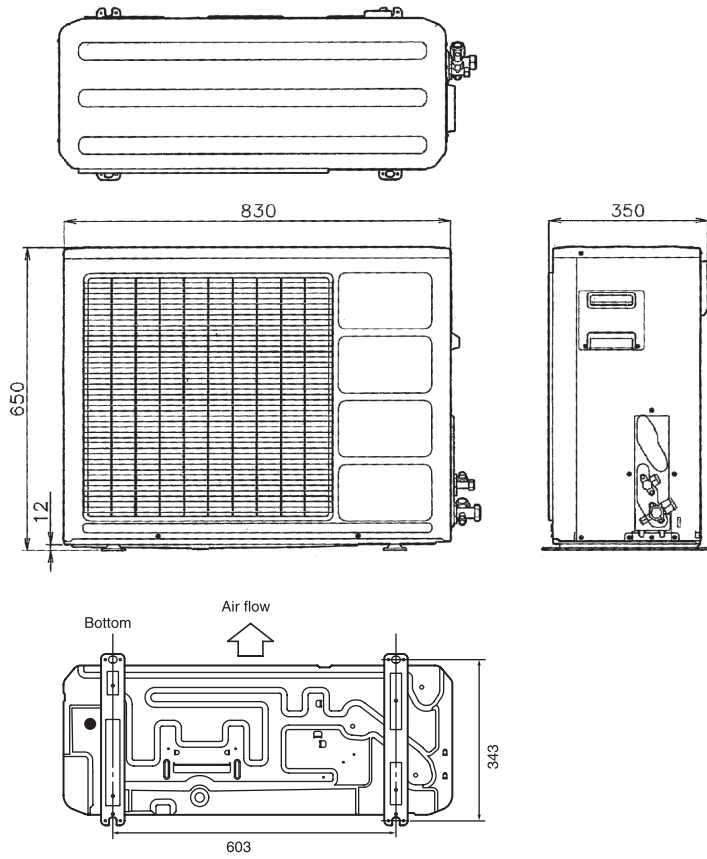
Models : ASY18FBAJ
ASY18FBBJ
ASY18FBBN
ASY18UBAJ
ASY18UBBJ
ASY18UBBN
ASY24FBBJ
ASY24FBBN
ASY24UBBJ
ASY24UBBN
ASY30FBBJ
ASY30UBBJ



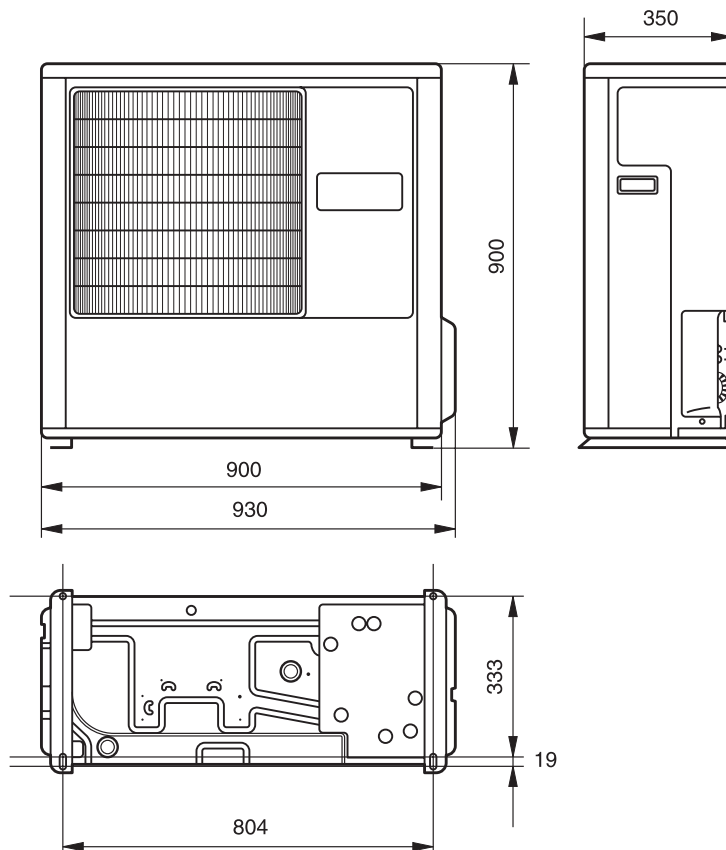
OUTDOOR UNIT

Unit : mm

Models : AOY18FNAK
AOY18FNBK
AOY18FNBN
AOY18UNAKL
AOY18UNBKL
AOY18UNBNL
AOY24FNBK
AOY24FNBN
AOY24UNBKL
AOY24UNBNL

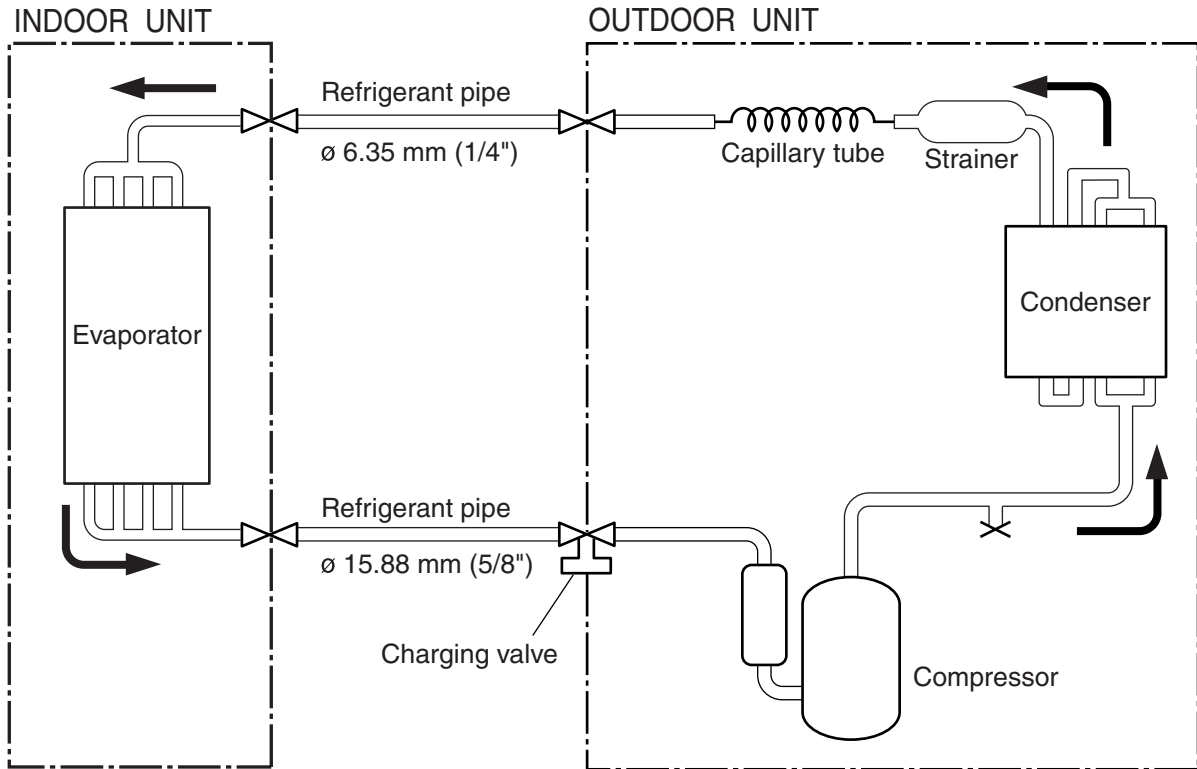


Models : AOY30FNBDL
AOY30UNBDL

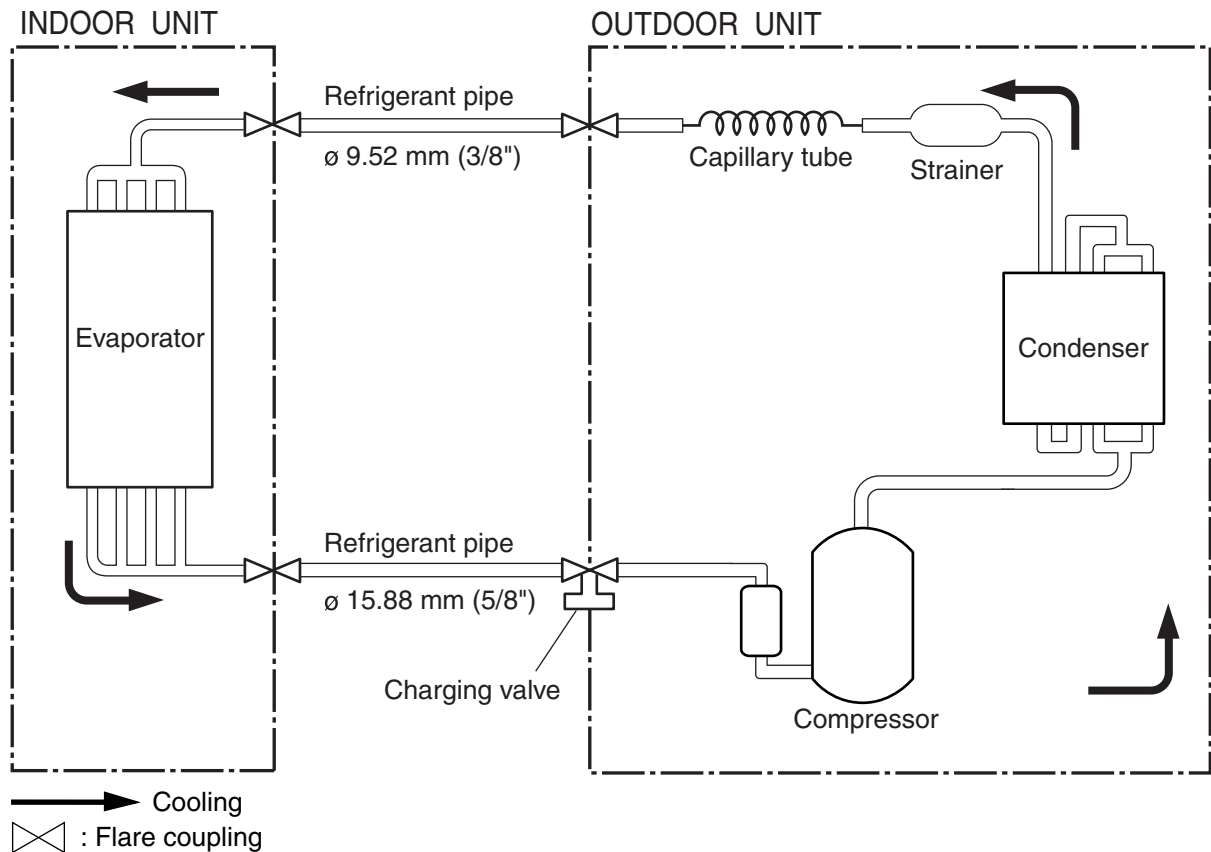


REFRIGERANT SYSTEM DIAGRAM

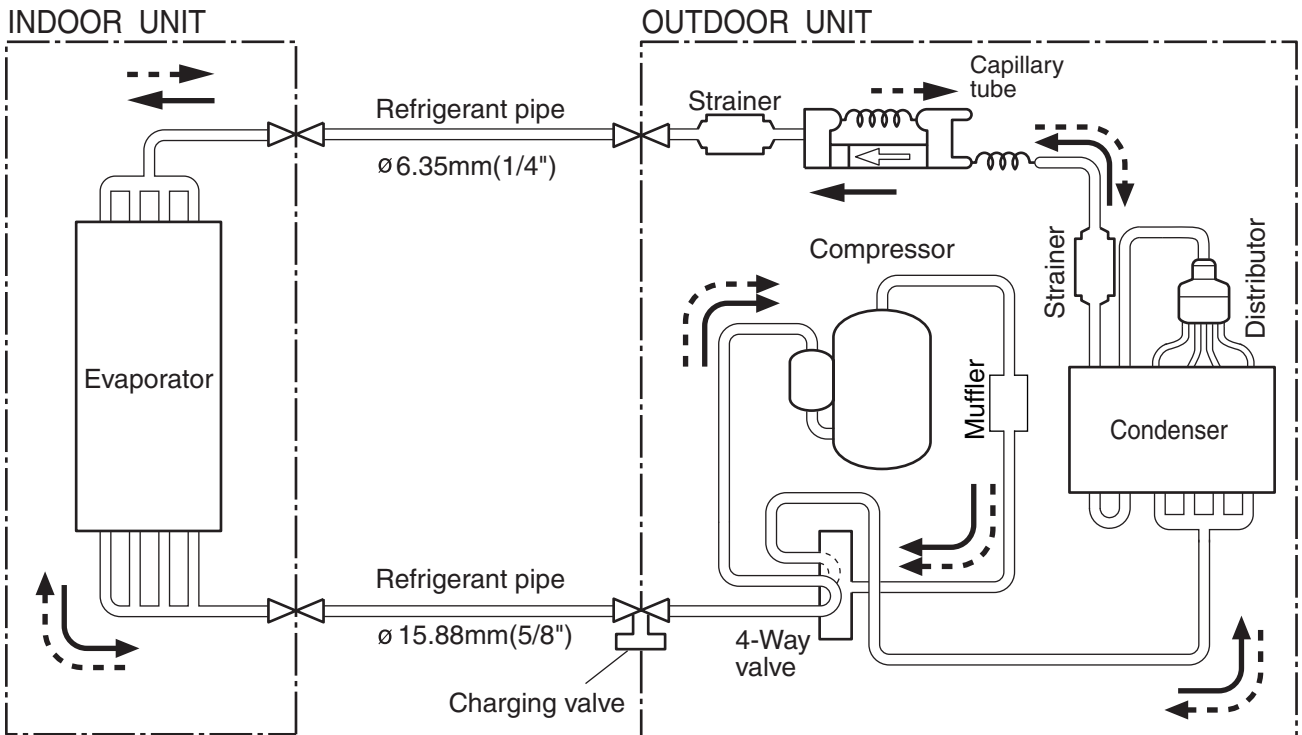
**Models : ASY18FBAJ / AOY18FNAK
 ASY18FBBJ / AOY18FNBK
 ASY18FBBN / AOY18FNBN**



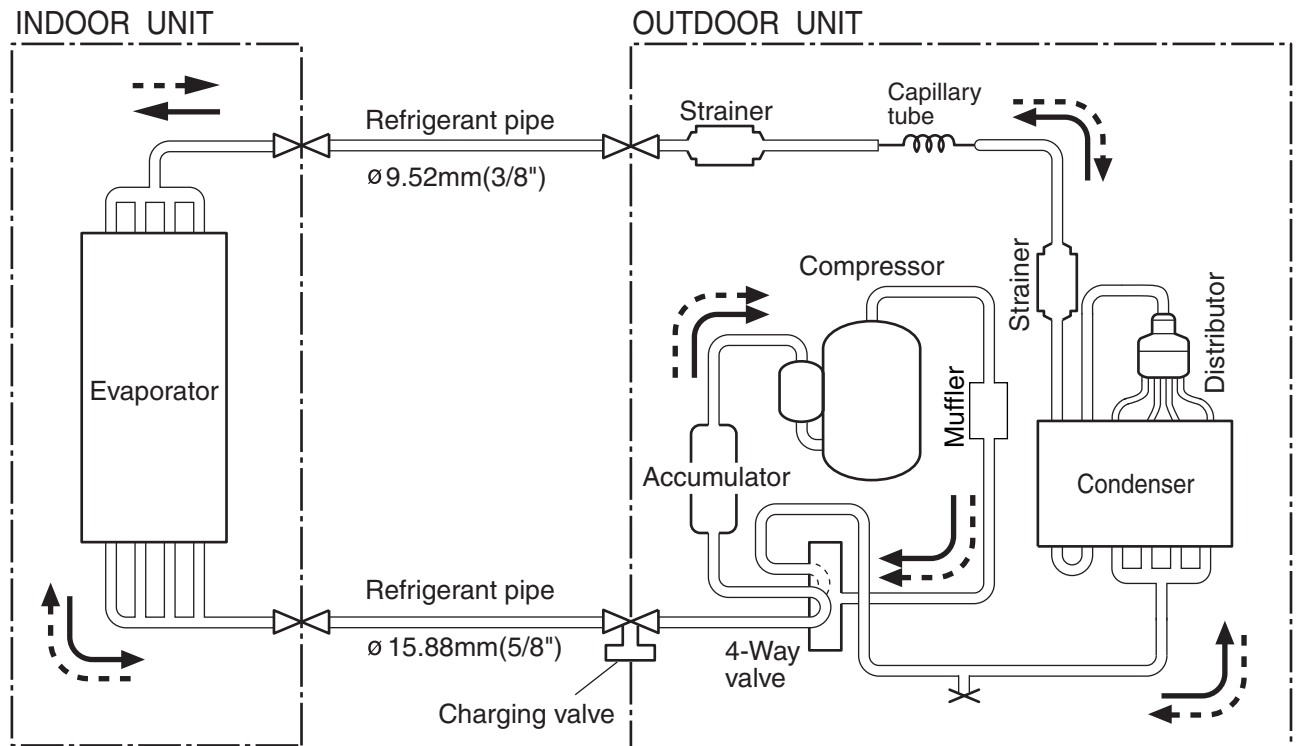
**Models : ASY24FBBJ / AOY24FNBK
 ASY24FBBN / AOY24FNBN**



**Models : ASY18UBAJ / AOY18UNAKL
 ASY18UBBJ / AOY18UNBKL
 ASY18UBBN / AOY18UNBNL**

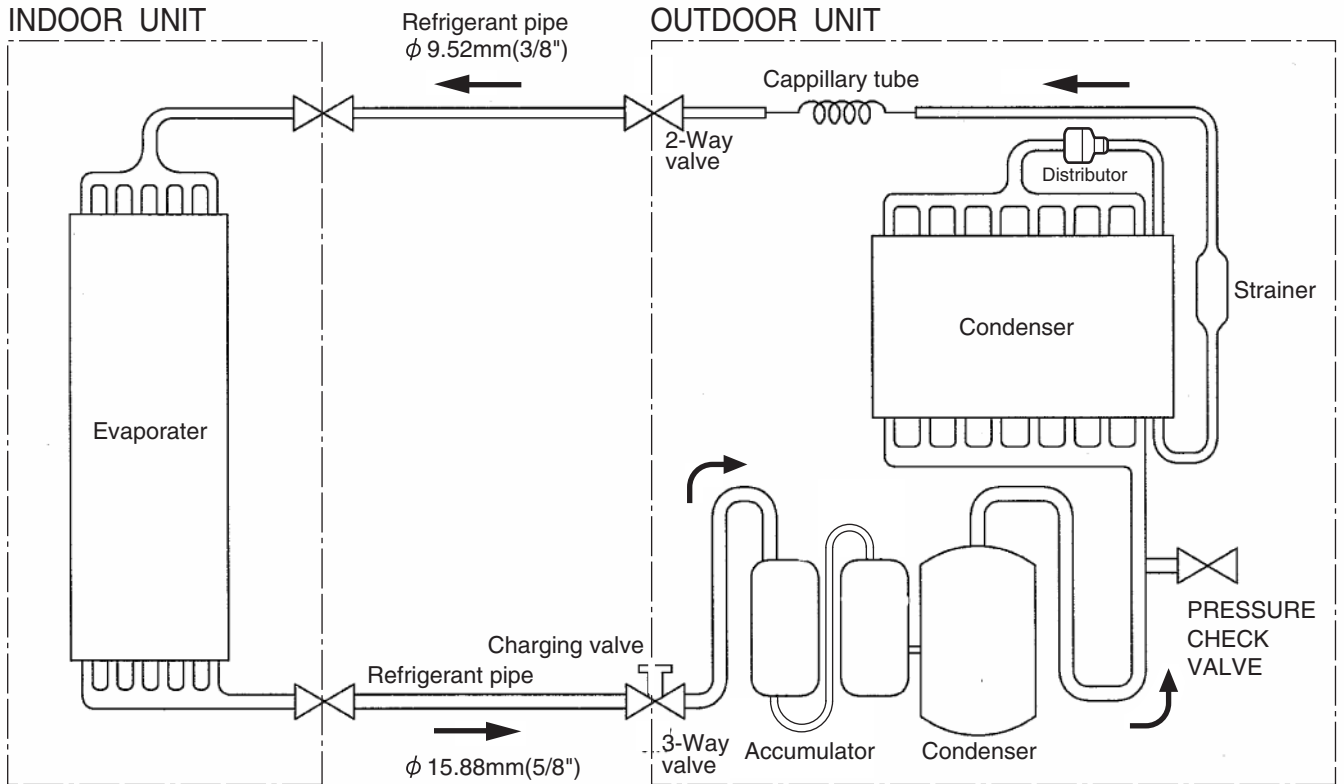


**Models : ASY24UBBJ / AOY24UNBKL
 ASY24UBBN / AOY24UNBNL**

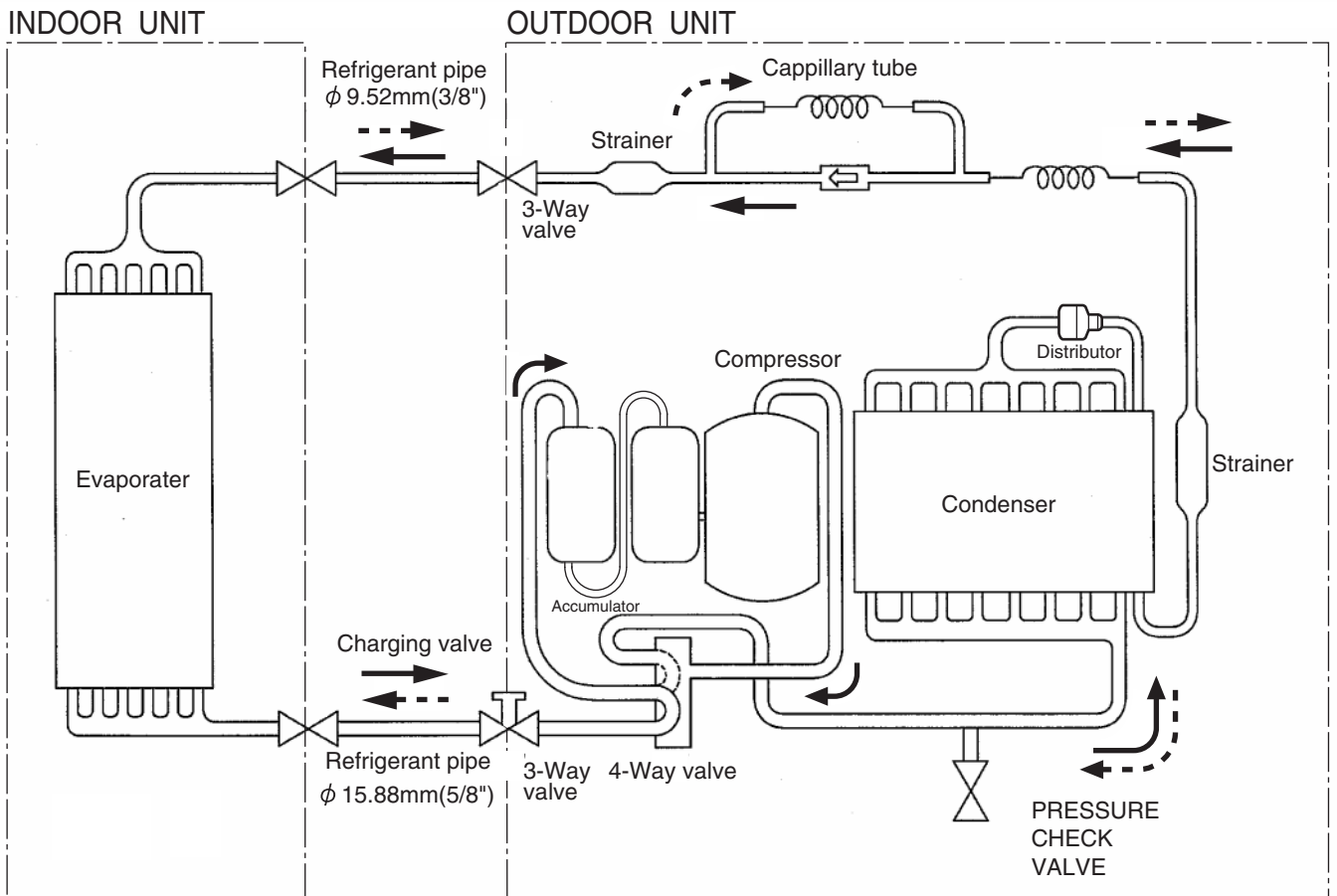


- Cooling
- Heating
- : Flare coupling

Models : ASY30FBBJ / AOY30FNBDL



Models : ASY30UBBJ / AOY30UNBDL

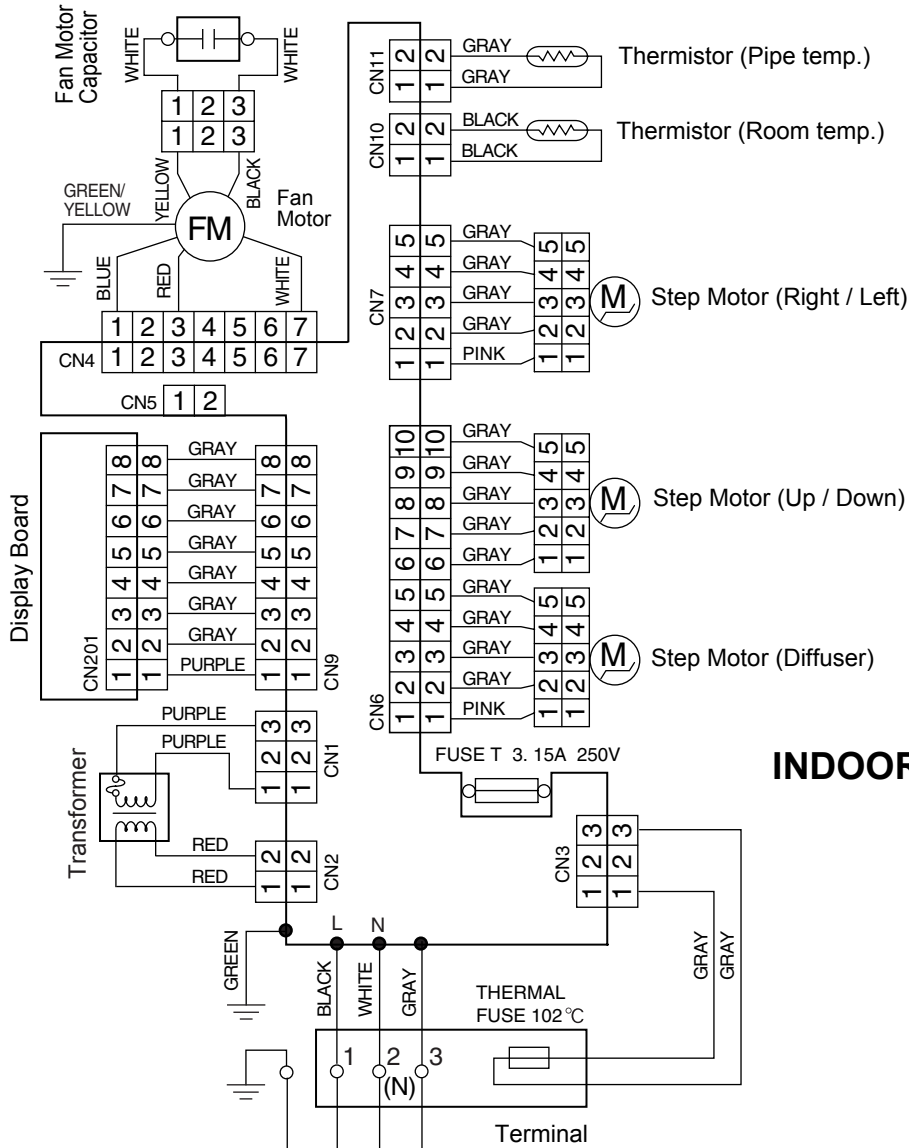


→ Cooling
 - - - - - Heating

Controller PCB

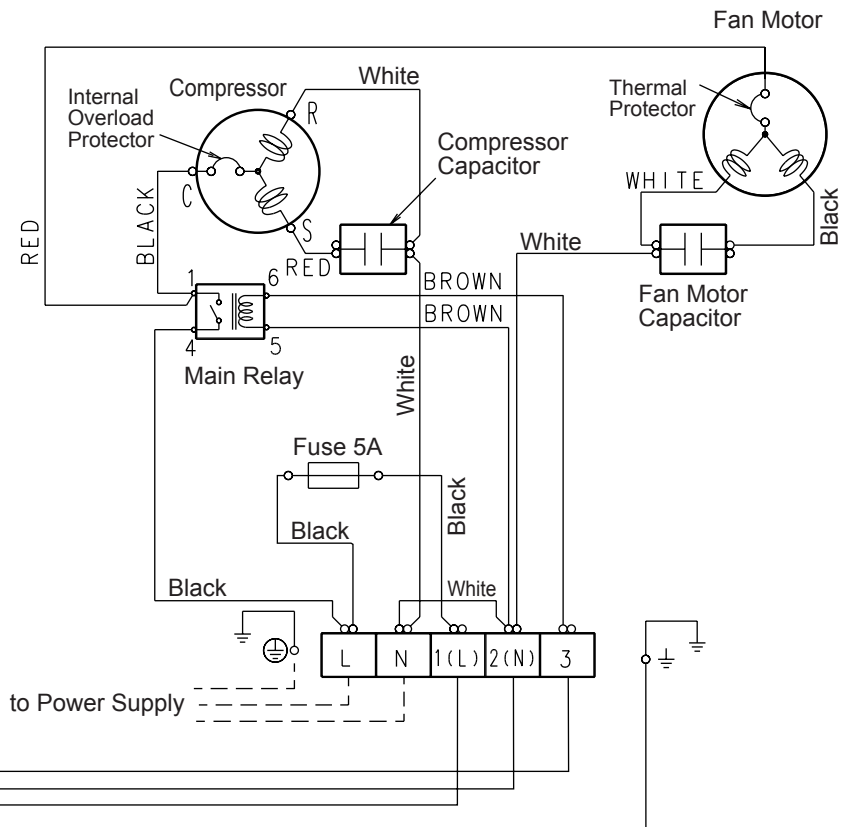
CIRCUIT DIAGRAM

Models : ASY18FBAJ / AOY18FNAK
 ASY18FBBJ / AOY18FNBK
 ASY18FBBN / AOY18FNBN
 ASY24FBBJ / AOY24FNBK
 ASY24FBBN / AOY24FNBN

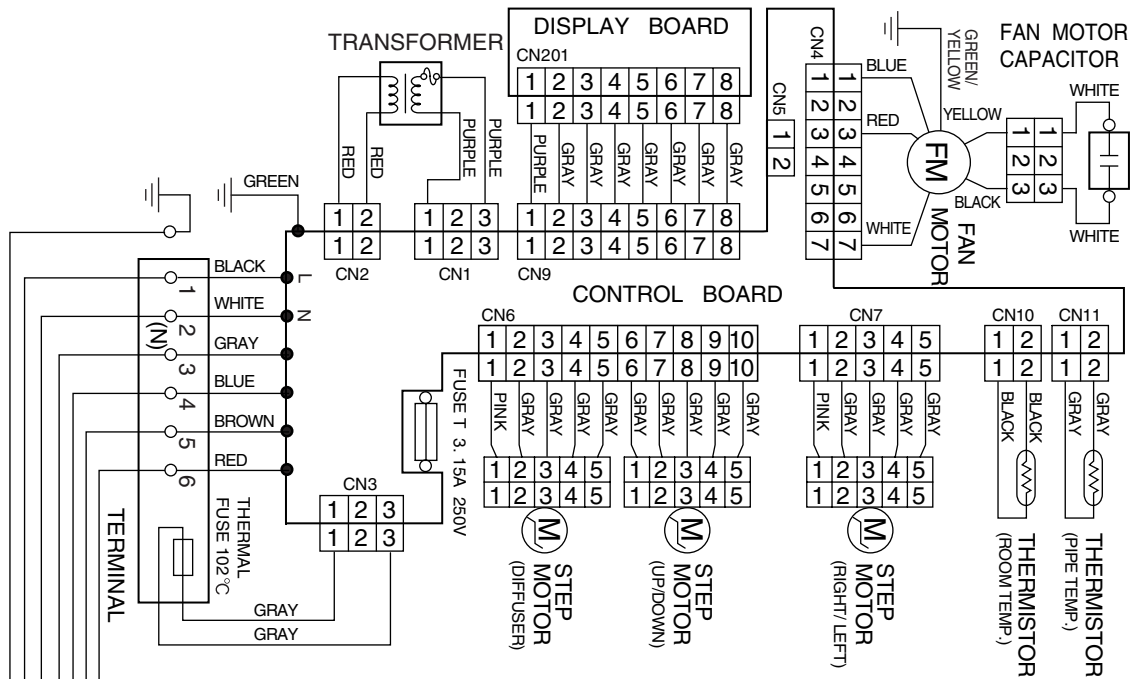


INDOOR UNIT

OUTDOOR UNIT

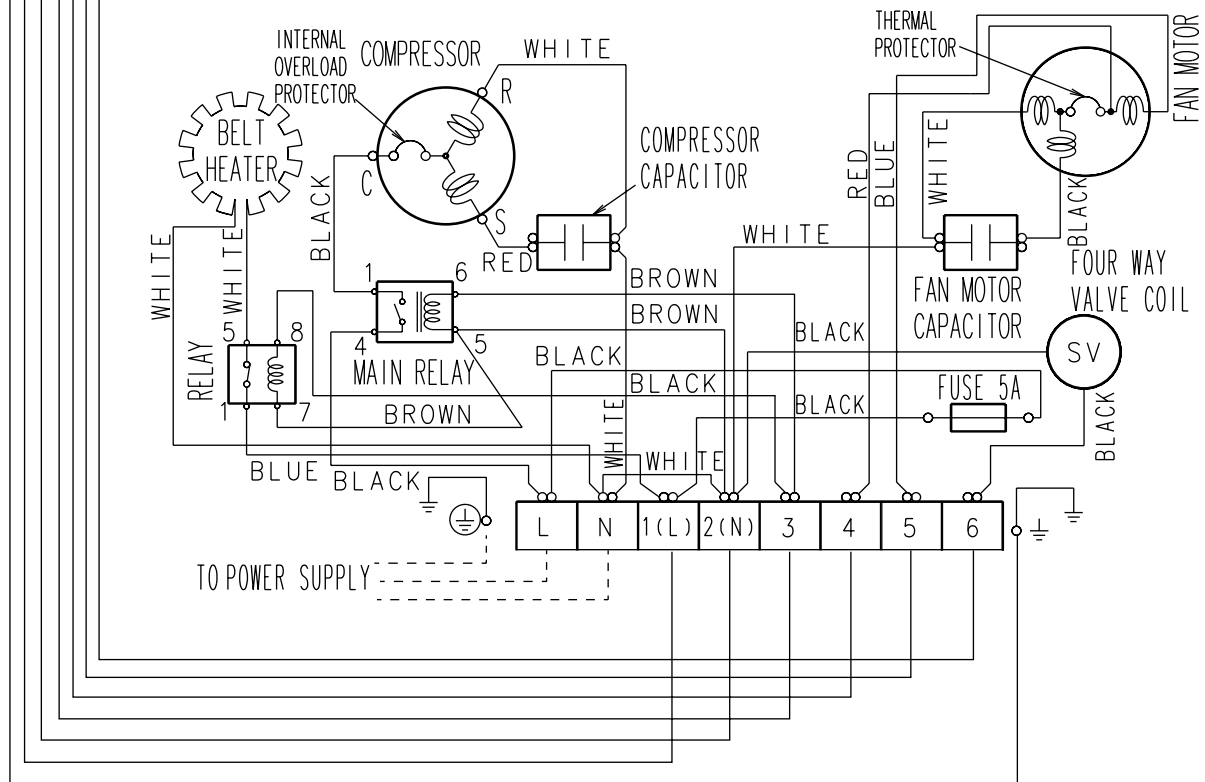


Models : ASY18UBAJ / AOY18UNAKL

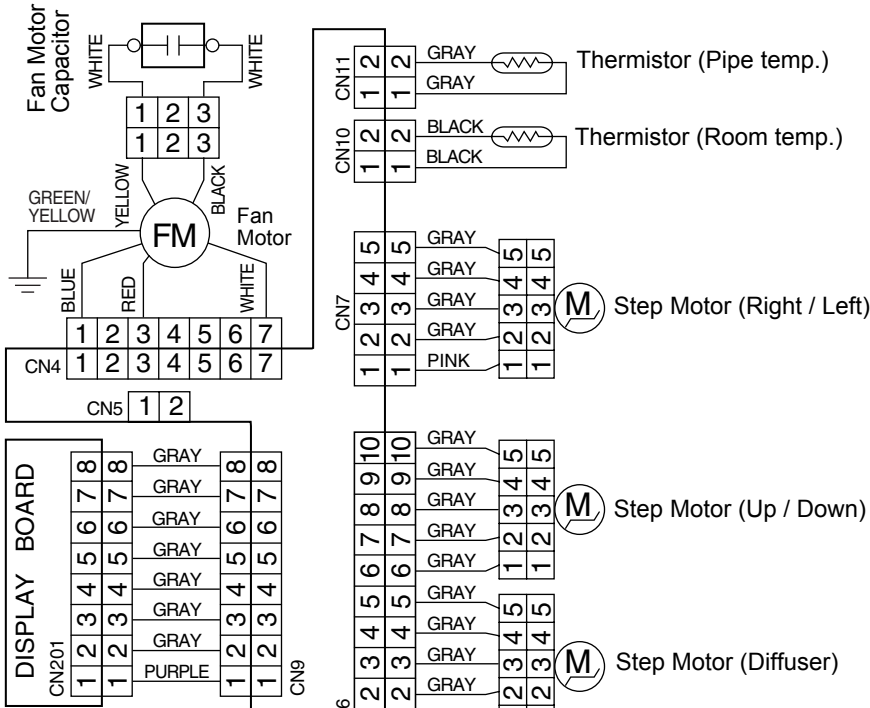


INDOOR UNIT

OUTDOOR UNIT

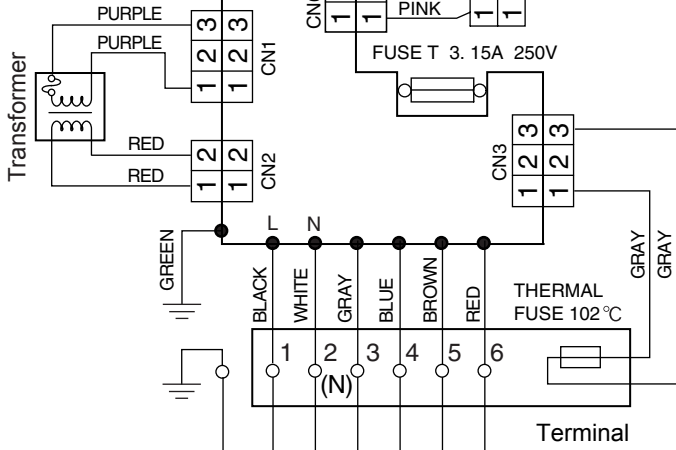


Controller PCB

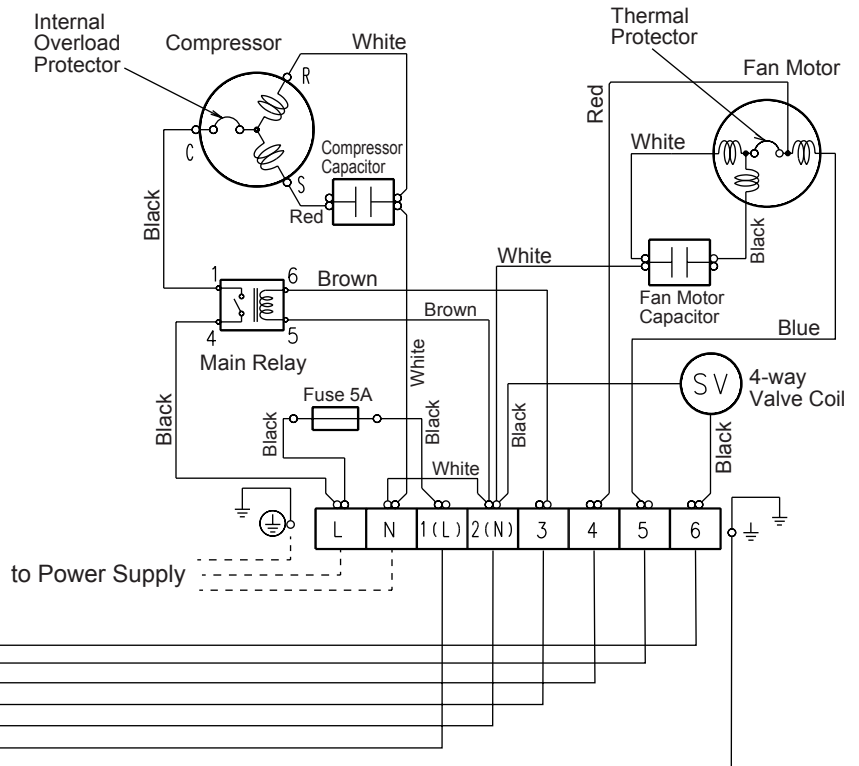


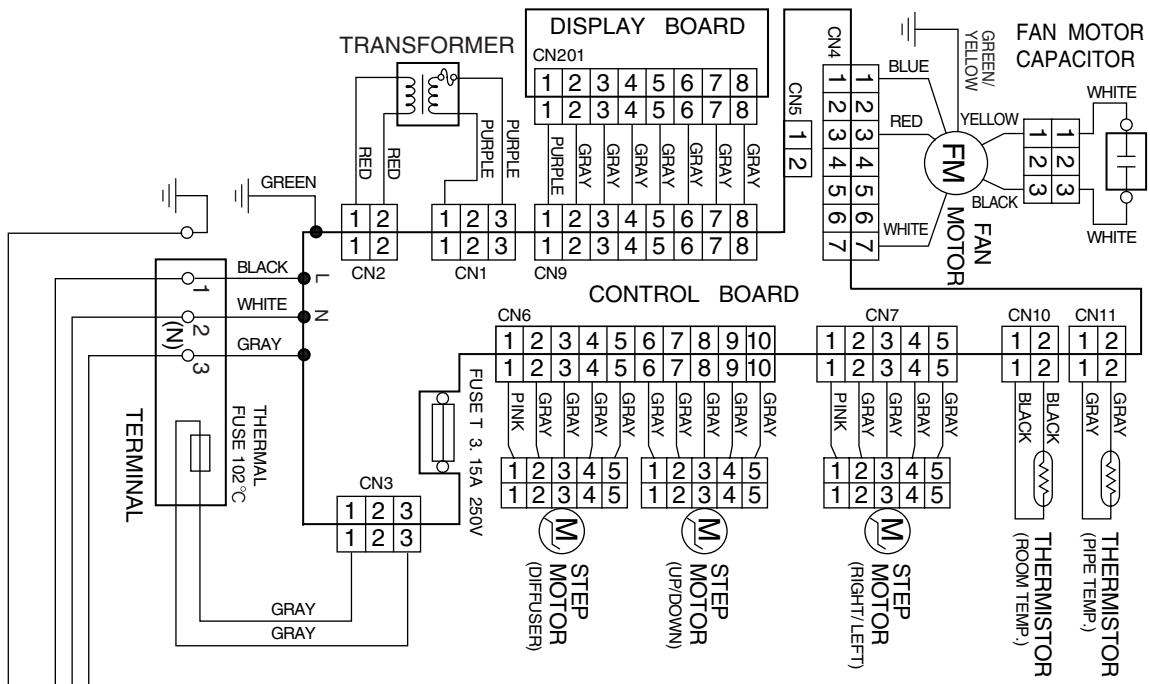
Models : **ASY18UBBJ / AOY18UNBKL**
ASY18UBBN / AOY18UNBNL
ASY24UBBJ / AOY24UNBKL
ASY24UBBN / AOY24UNBNL

INDOOR UNIT

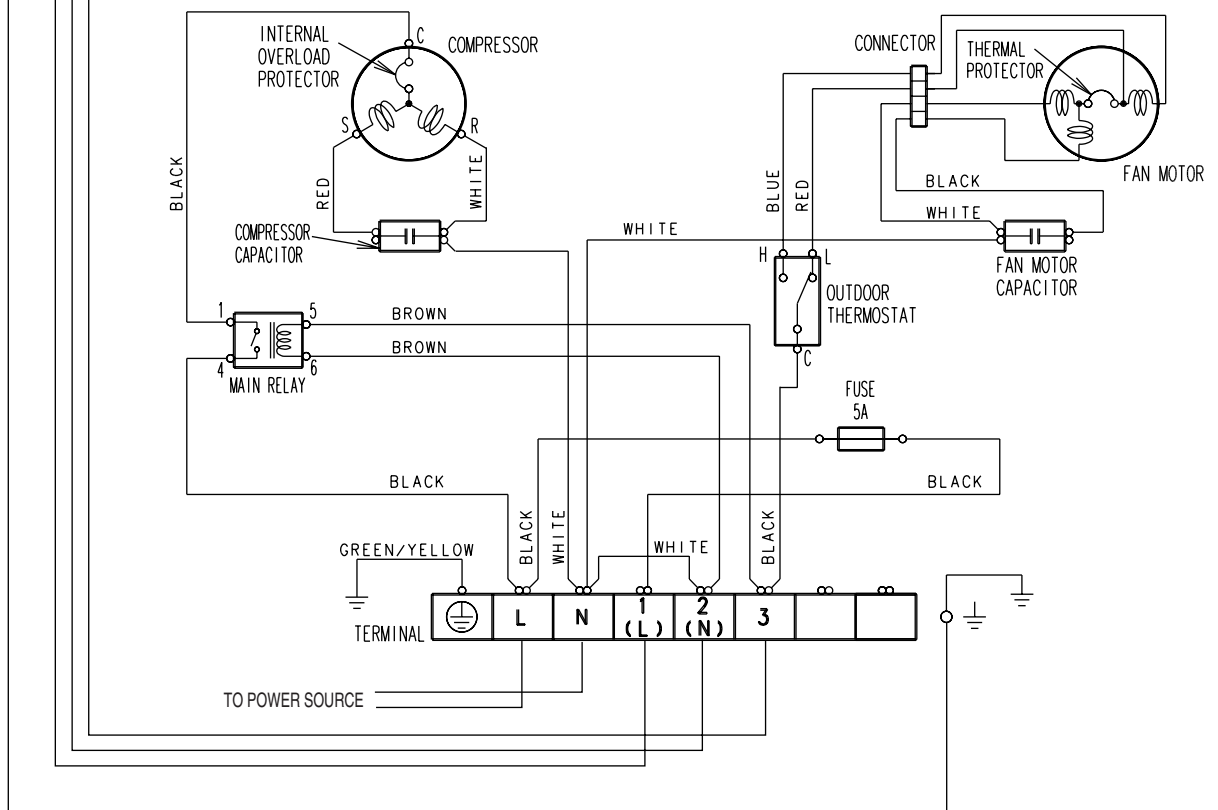


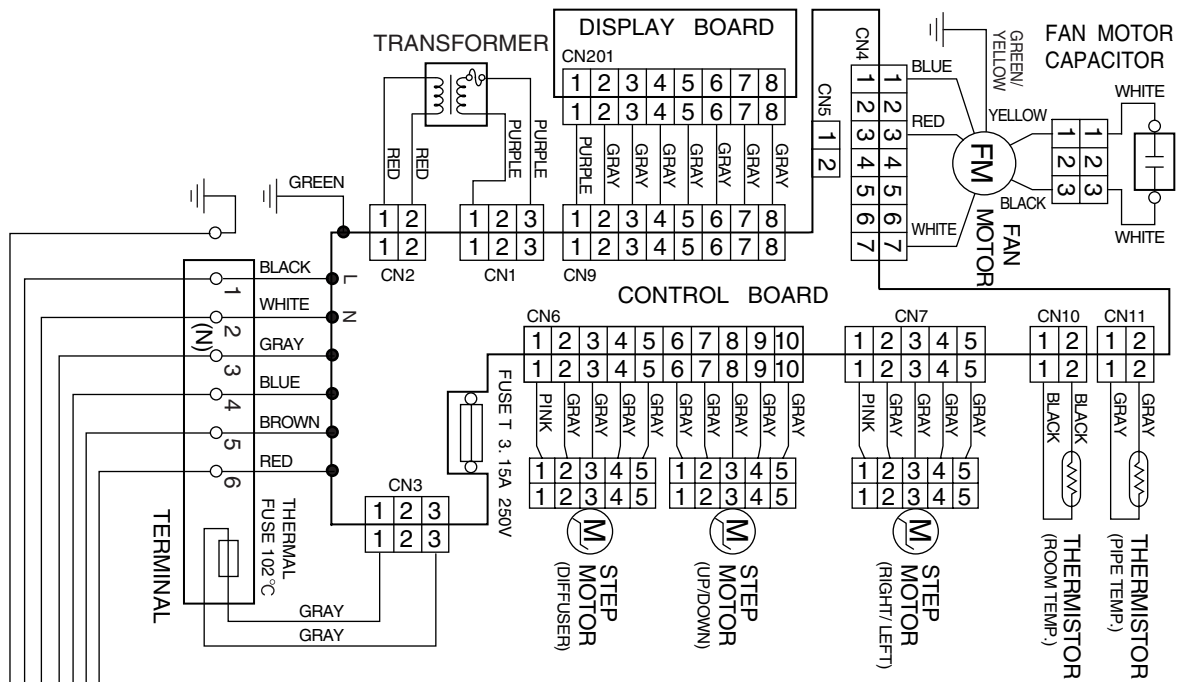
OUTDOOR UNIT





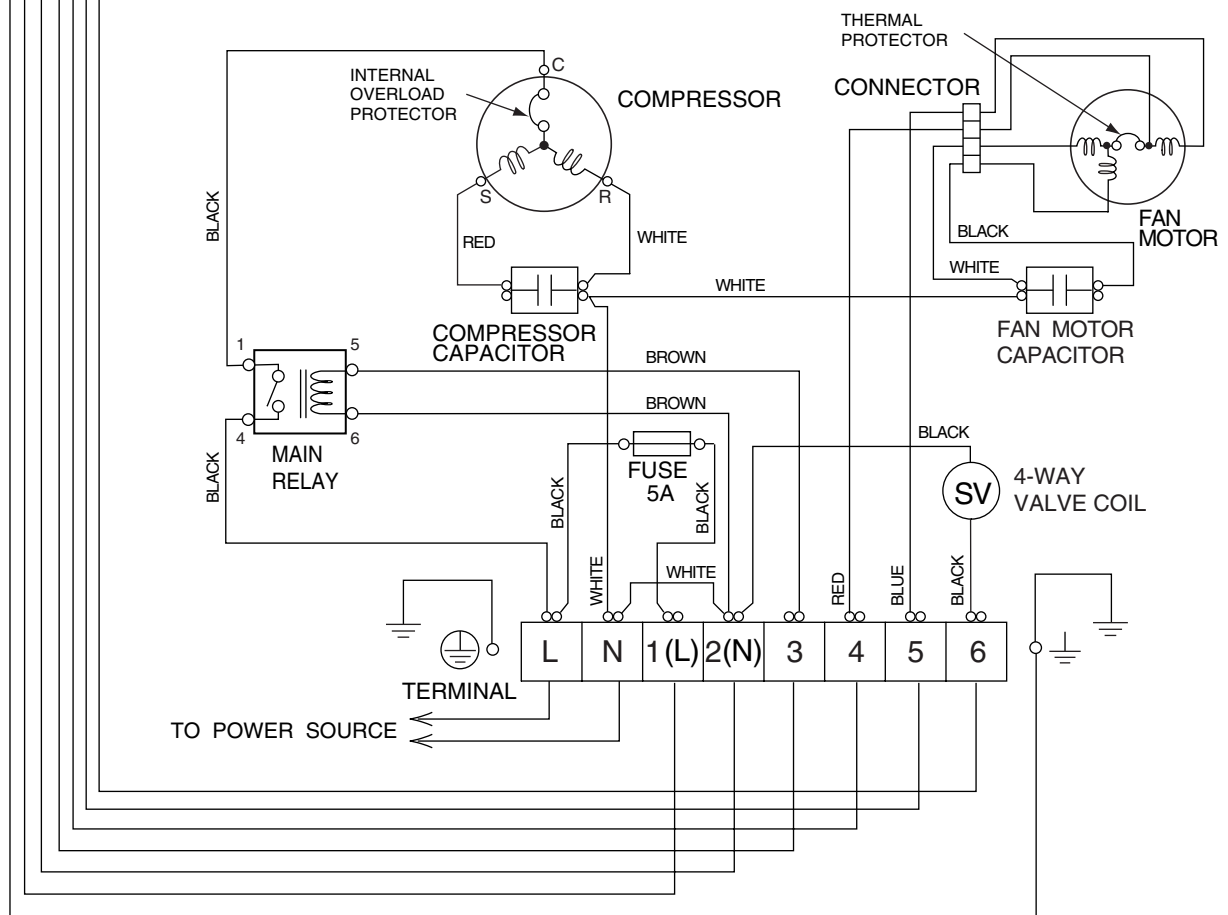
INDOOR UNIT
OUTDOOR UNIT





INDOOR UNIT

OUTDOOR UNIT



ERROR DISPLAY

The OPERATION, TIMER and SWING lamps operate as follows according to the error contents.

○ : Fast flashing ● : Slow flashing – : Off

Error contents	Error display		
	OPERATION (RED)	TIMER (GREEN)	SWING (ORANGE)
Indoor unit circuit board error	○	○	–
Indoor unit room temperature sensor wire opened	2 times ●	○	–
Indoor unit room temperature sensor wire short circuited	2 times ●	○	○
Indoor unit piping sensor wire opened	3 times ●	○	–
Indoor unit piping sensor wire short circuited	3 times ●	○	○
Indoor unit fan error	6 times ●	○	–

Thermistor resistance values <Indoor unit side> ASY18F

1) Room temperature thermistor (TH_{IA})

Room temperature (°C)	0	2.5	5	7.5	10	12.5	15	17.5	20	22.5	25	27.5	30
Resistance value (kΩ)	33.6	29.5	25.9	22.8	20.2	17.9	15.8	14.1	12.5	11.2	10.0	9.0	8.0

Room temperature (°C)	32.5	35	37.5	40	42.5	45	47.5	50
Resistance value (kΩ)	7.2	6.5	5.9	5.3	4.8	4.3	3.9	3.6

2) Indoor heat exchanger temperature thermistor (TH_{HM}, TH_{HI})

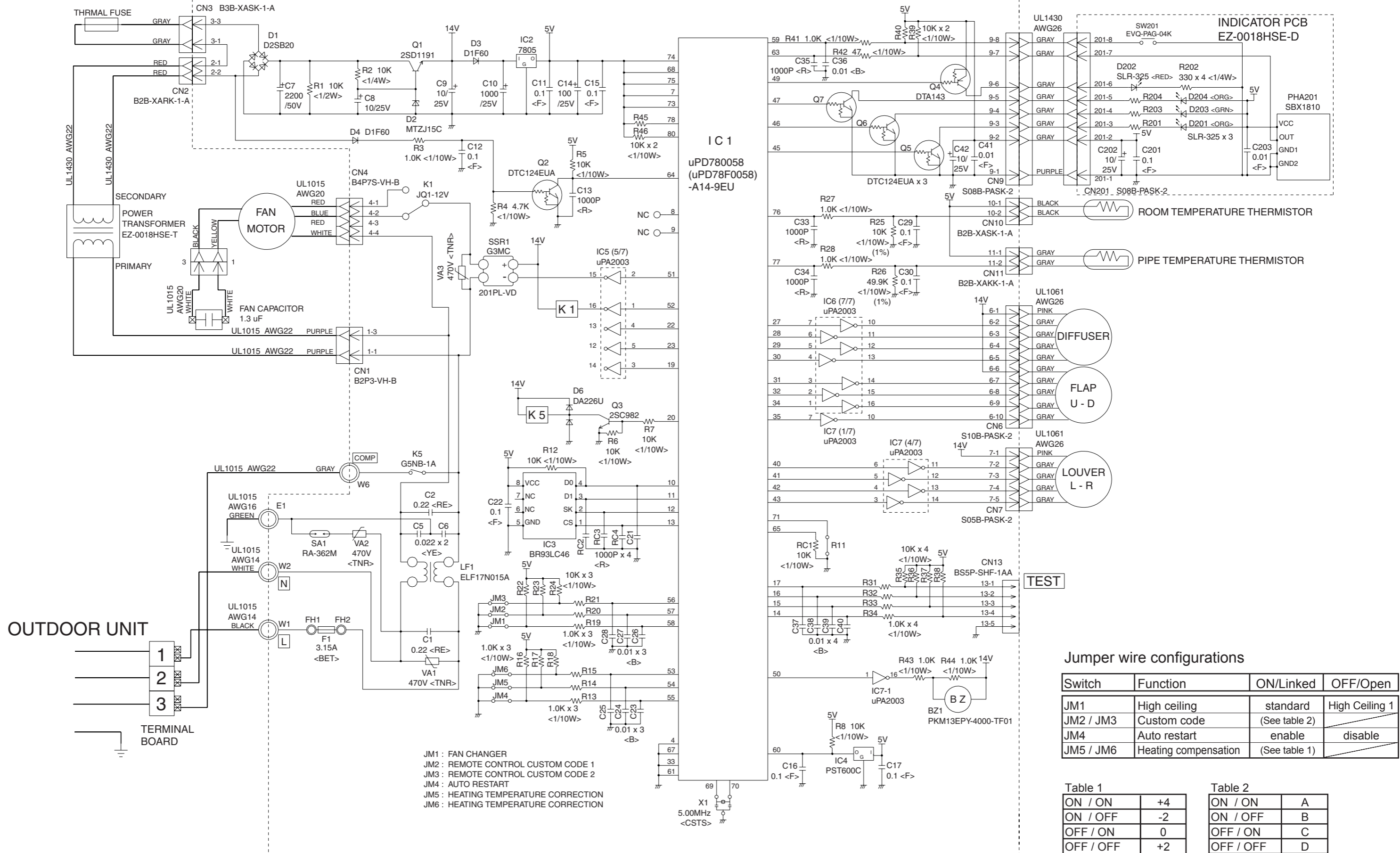
Heat exchanger temperature (°C)	0	2.5	5	7.5	10	12.5	15	17.5	20	22.5	25	27.5	30
Resistance value (kΩ)	176.0	153.5	134.2	117.6	103.3	91.0	80.3	71.0	62.9	55.9	49.7	44.3	39.6

Heat exchanger temperature (°C)	32.5	35	37.5	40	42.5	45	47.5	50	52.5	55	57.5	60
Resistance value (kΩ)	35.4	31.7	28.5	25.6	23.1	20.8	18.8	17.1	15.5	14.1	12.8	11.6

INDOOR PCB CIRCUIT DIAGRAM

Models : ASY18FBAJ
 ASY18FBBJ
 ASY18FBBN
 ASY24FBBJ
 ASY24FBBN
 ASY30FBBJ

CONTROLLER PCB ASSEMBLY (MAIN PCB)
 ASY18FBAJ : EZ-003HWSE-C
 ASY18FBBJ, ASY18FBBN : EZ-001TWSE-C
 ASY24FBBJ, ASY24FBBN : EZ-003KWSE-C
 ASY30FBBJ : EZ-001SWSE-C



- JM1 : FAN CHANGER
- JM2 : REMOTE CONTROL CUSTOM CODE 1
- JM3 : REMOTE CONTROL CUSTOM CODE 2
- JM4 : AUTO RESTART
- JM5 : HEATING TEMPERATURE CORRECTION
- JM6 : HEATING TEMPERATURE CORRECTION

Jumper wire configurations

Switch	Function	ON/Linked	OFF/Open
JM1	High ceiling	standard	High Ceiling 1
JM2 / JM3	Custom code	(See table 2)	
JM4	Auto restart	enable	disable
JM5 / JM6	Heating compensation	(See table 1)	

Table 1

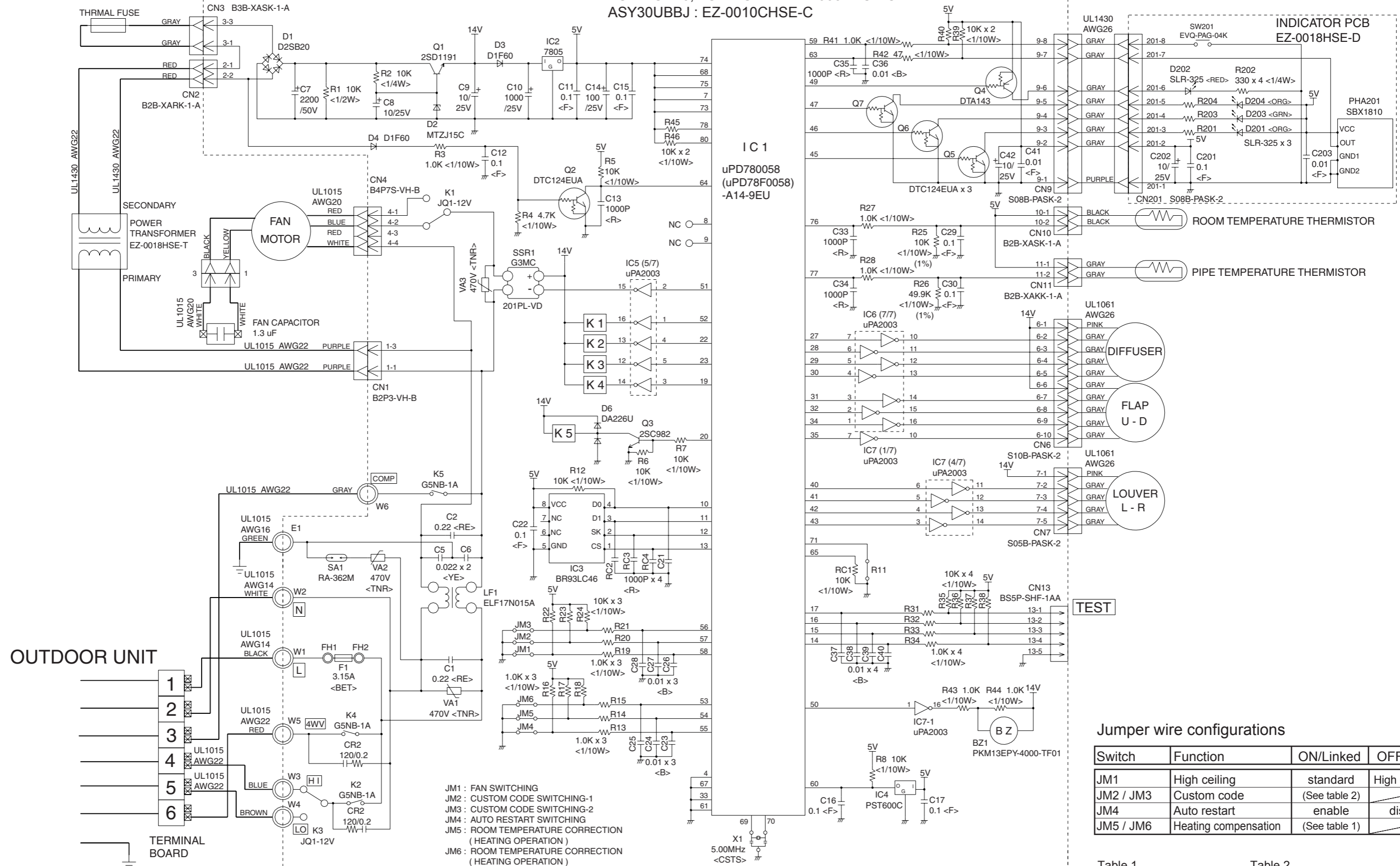
ON / ON	+4
ON / OFF	-2
OFF / ON	0
OFF / OFF	+2

Table 2

ON / ON	A
ON / OFF	B
OFF / ON	C
OFF / OFF	D

Models : ASY18UBAJ
 ASY18UBBJ
 ASY18UBBN
 ASY24UBBJ
 ASY24UBBN
 ASY30UBBJ

CONTROLLER PCB ASSEMBLY (MAIN PCB)
 ASY18UBAJ : EZ-003WHSE-C
 ASY18UBBJ, ASY18UBBN : EZ-0034HSE-C
 ASY24UBBJ, ASY24UBBN : EZ-003YHSE-C
 ASY30UBBJ : EZ-0010CHSE-C



Jumper wire configurations

Switch	Function	ON/Linked	OFF/Open
JM1	High ceiling	standard	High Ceiling 1
JM2 / JM3	Custom code	(See table 2)	
JM4	Auto restart	enable	disable
JM5 / JM6	Heating compensation	(See table 1)	

Table 1

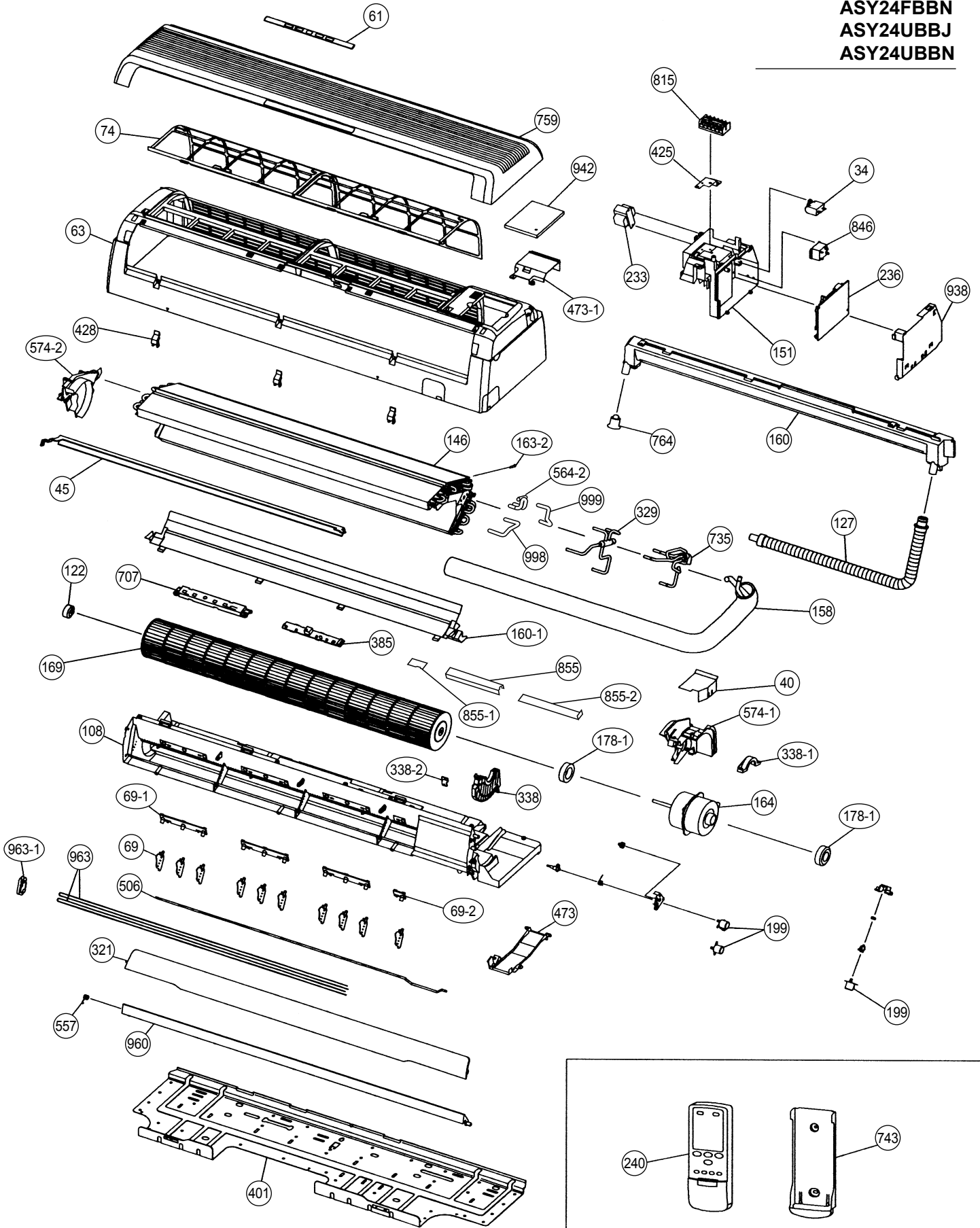
ON / ON	+4
ON / OFF	-2
OFF / ON	0
OFF / OFF	+2

Table 2

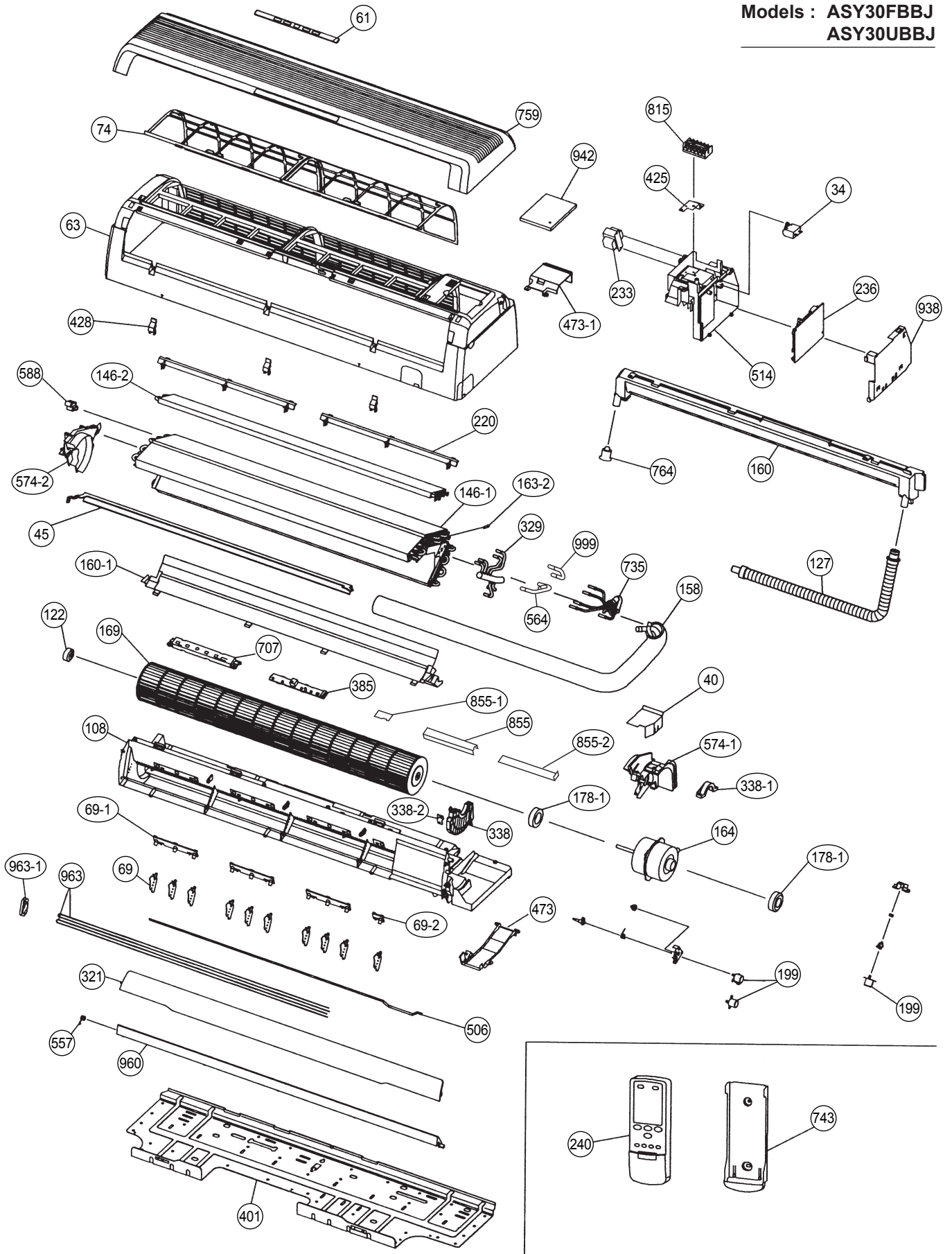
ON / ON	A
ON / OFF	B
OFF / ON	C
OFF / OFF	D

DISASSEMBLY ILLUSTRATION

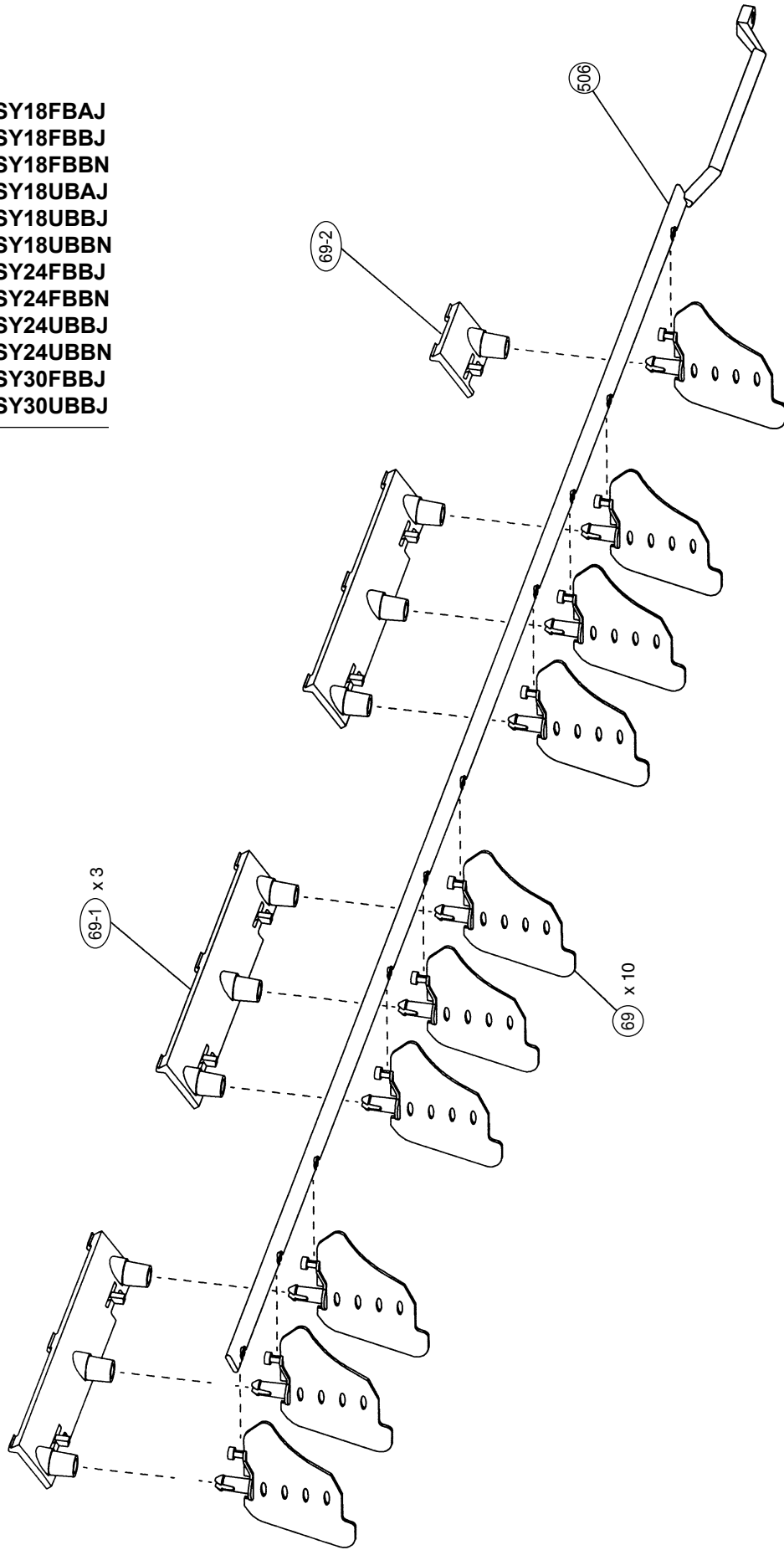
Models : ASY18FBAJ
 ASY18FBBJ
 ASY18FBBN
 ASY18UBAJ
 ASY18UBBJ
 ASY18UBBN
 ASY24FBBJ
 ASY24FBBN
 ASY24UBBJ
 ASY24UBBN



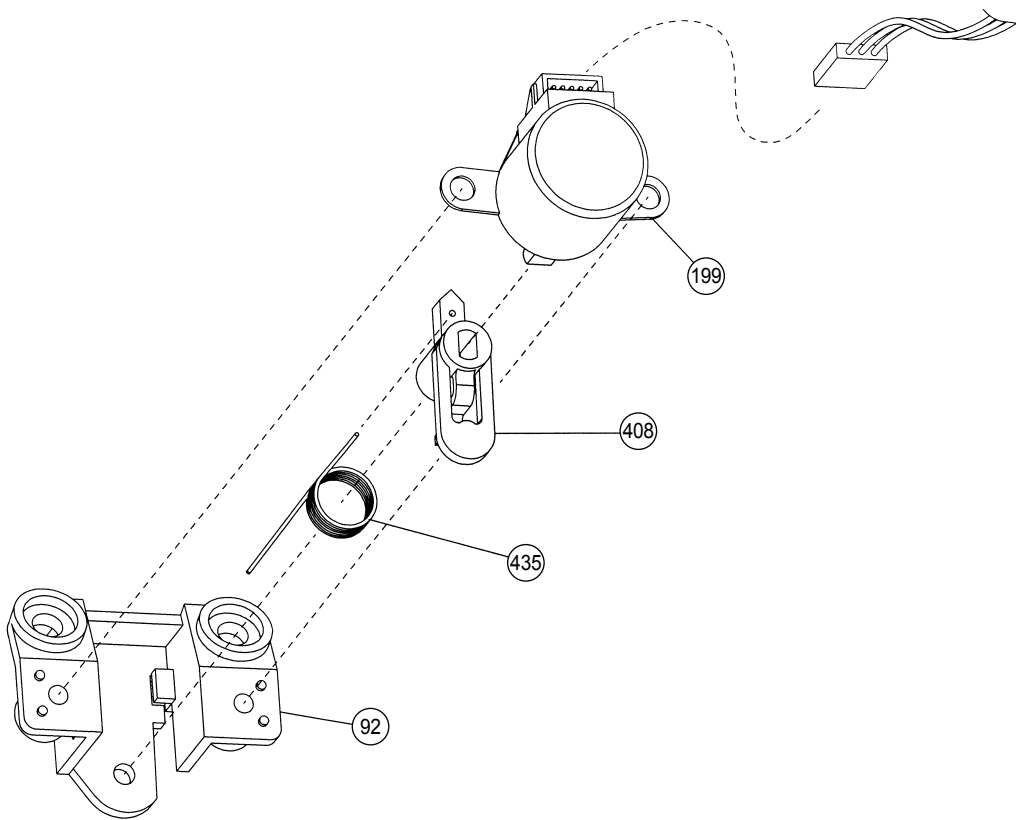
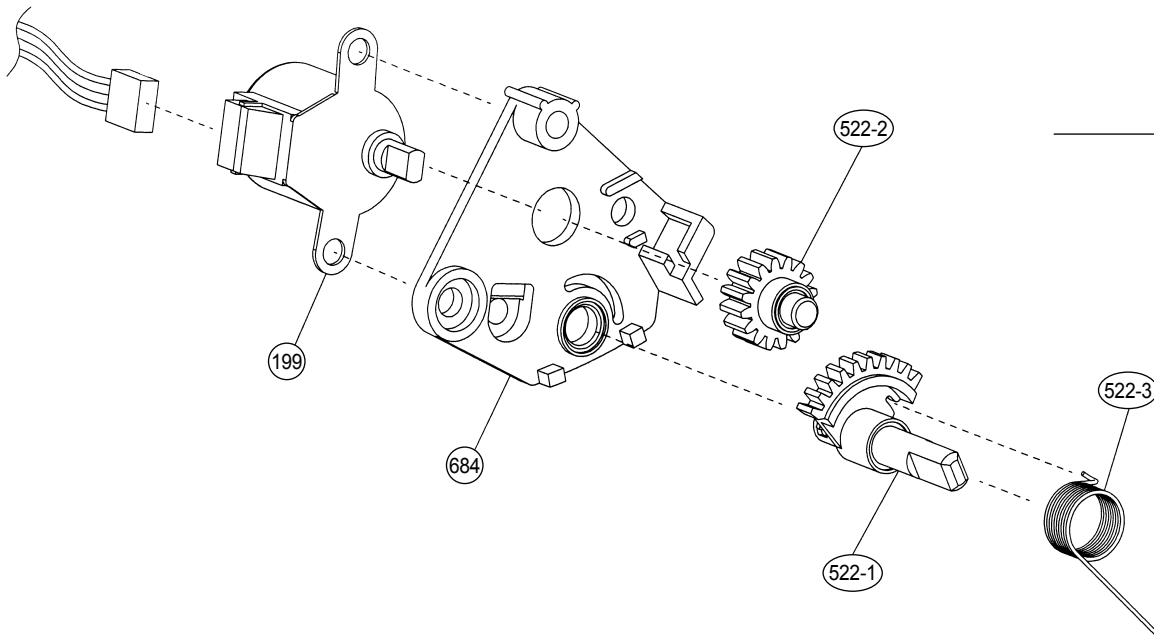
Models : ASY30FBBJ
ASY30UBBJ



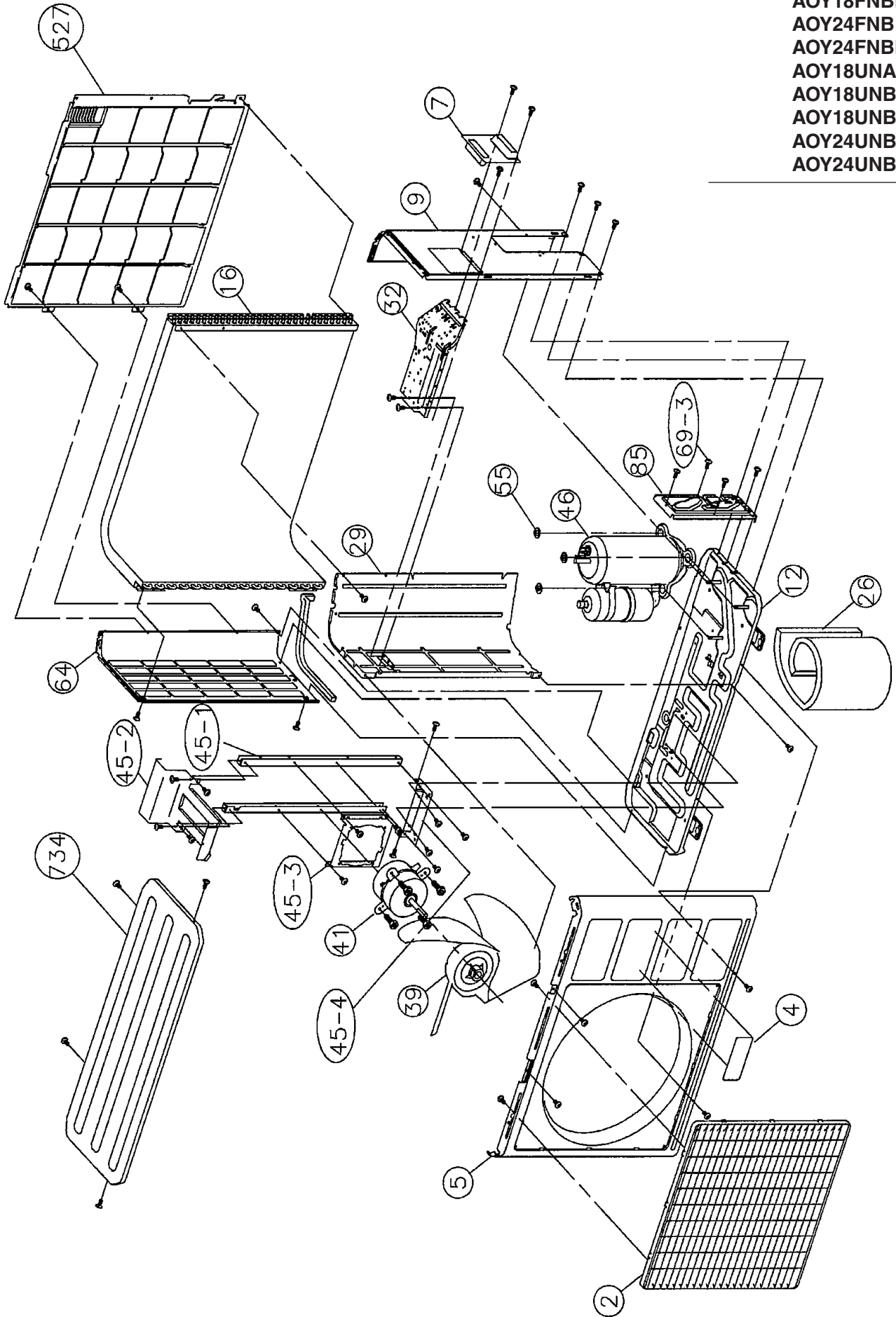
**Models : ASY18FBAJ
ASY18FBBJ
ASY18FBBN
ASY18UBAJ
ASY18UBBJ
ASY18UBBN
ASY24FBBJ
ASY24FBBN
ASY24UBBJ
ASY24UBBN
ASY30FBBJ
ASY30UBBJ**



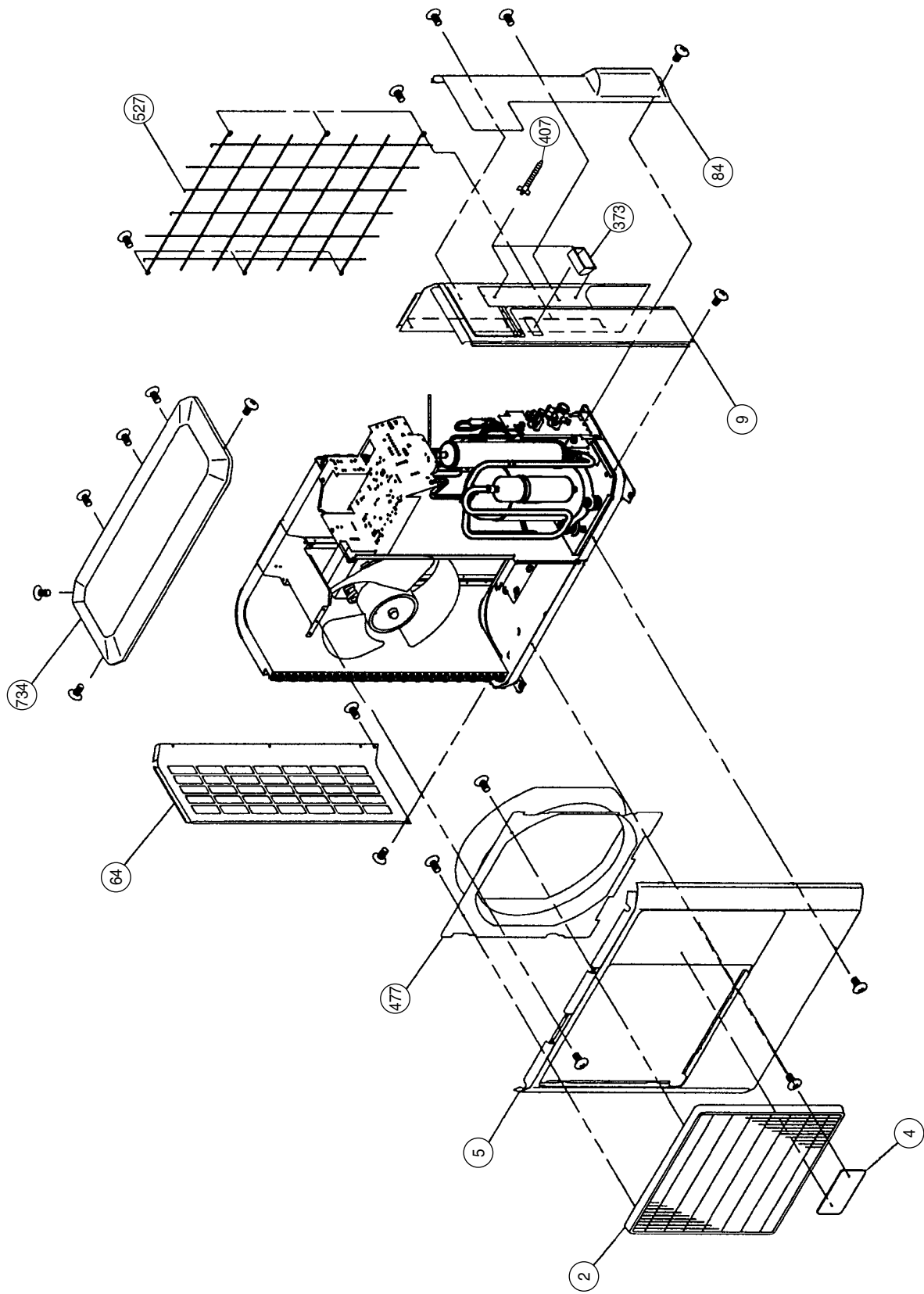
Models : ASY18FBAJ
ASY18FBBJ
ASY18FBBN
ASY18UBAJ
ASY18UBBJ
ASY18UBBN
ASY24FBBJ
ASY24FBBN
ASY24UBBJ
ASY24UBBN
ASY30FBBJ
ASY30UBBJ



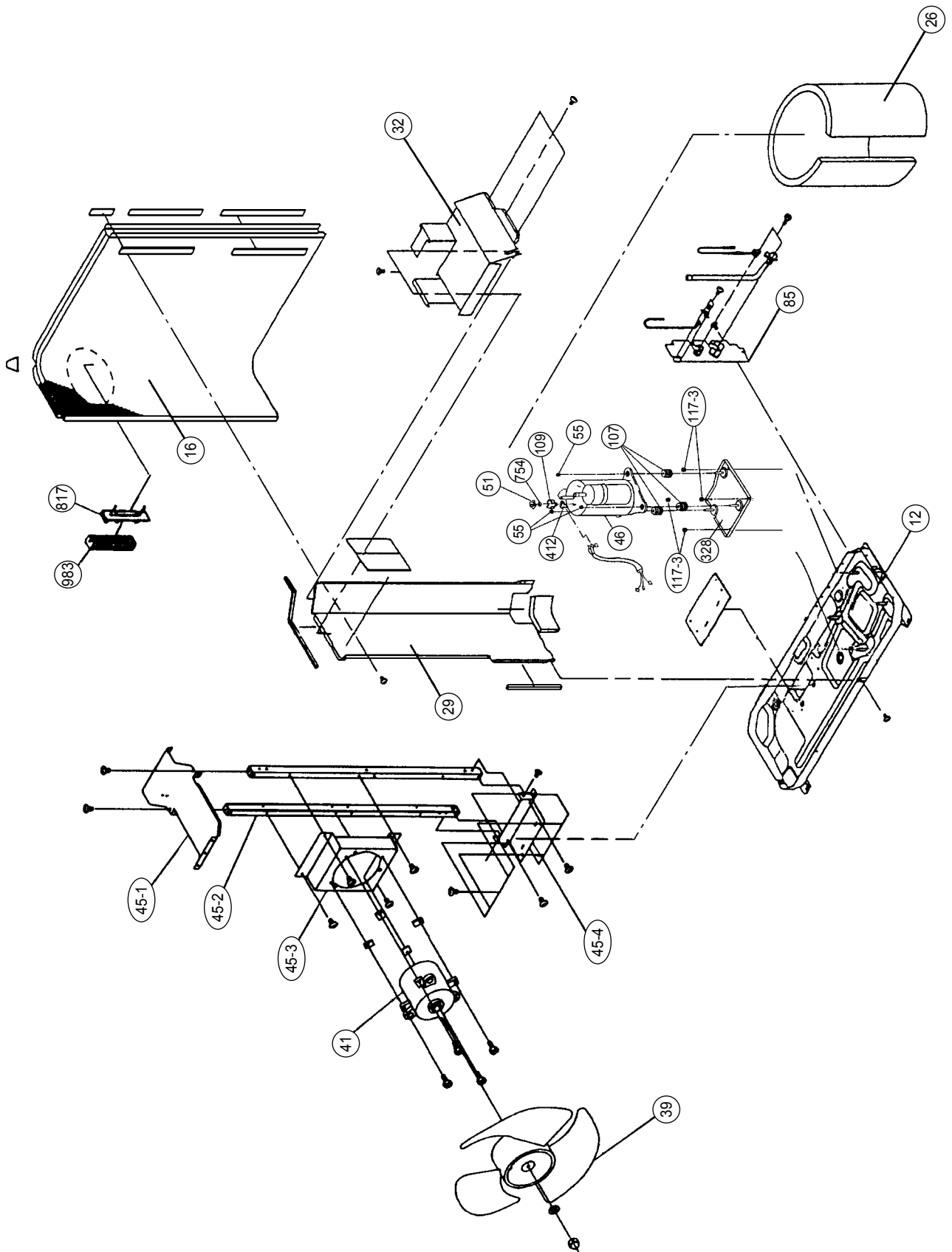
Models : AOY18FNAK
 AOY18FNBK
 AOY18FNBN
 AOY24FNBK
 AOY24FNBN
 AOY18UNAKL
 AOY18UNBKL
 AOY18UNBNL
 AOY24UNBKL
 AOY24UNBNL



Models : AOY30FNBDL
AOY30UNBDL

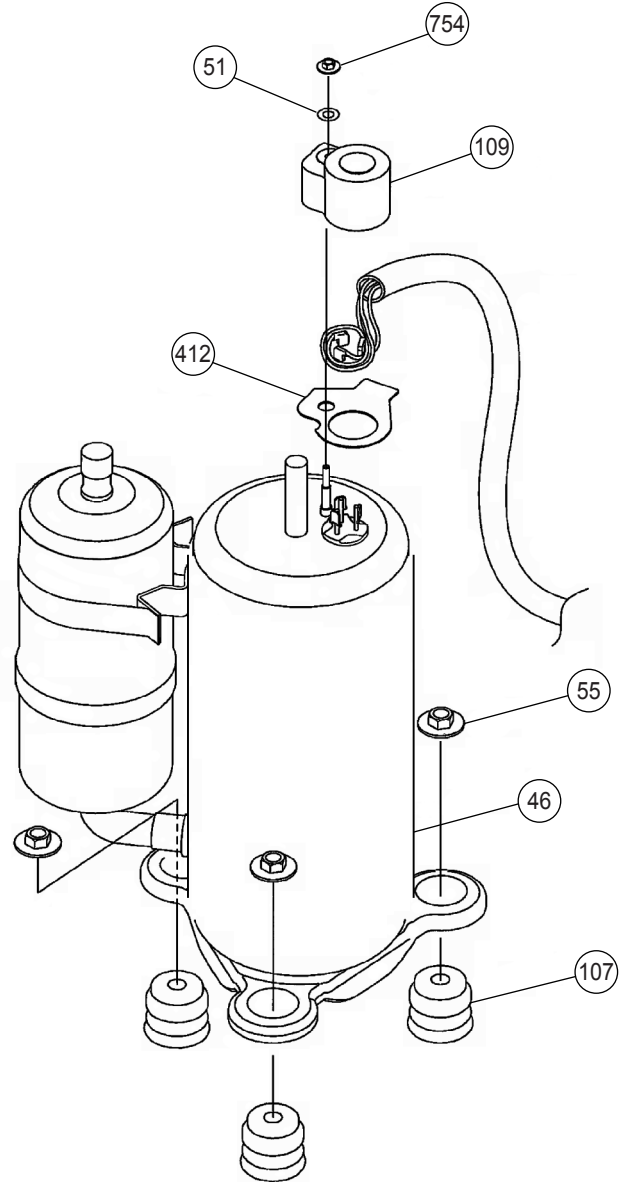
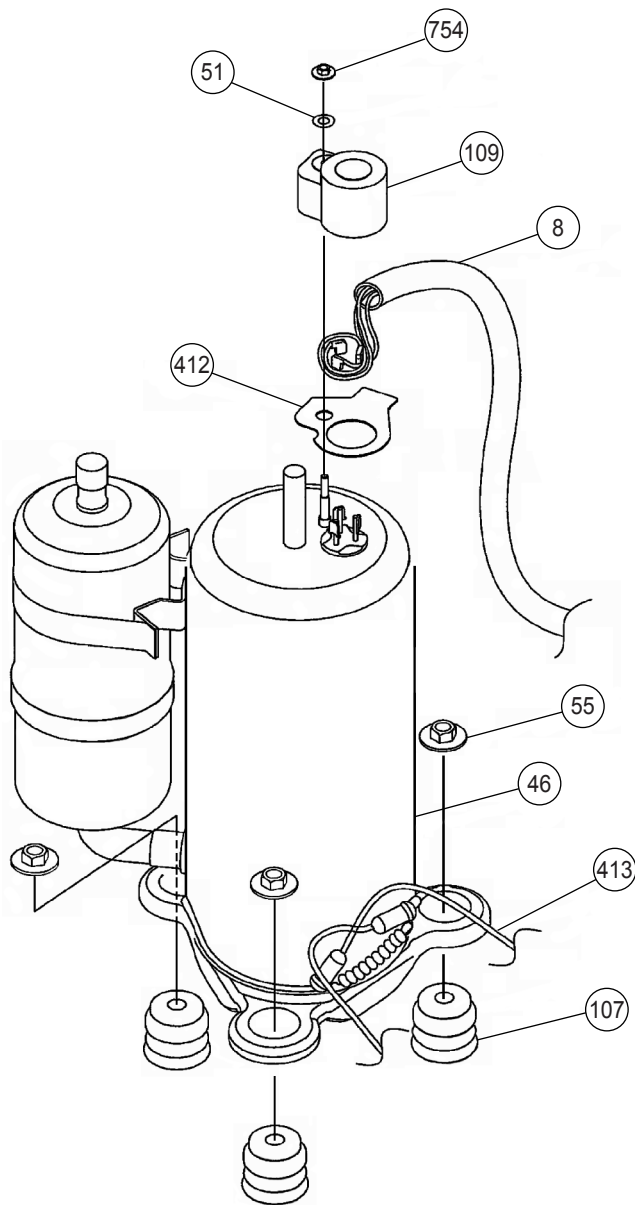


Models : AOY30FNBDL
AOY30UNBDL

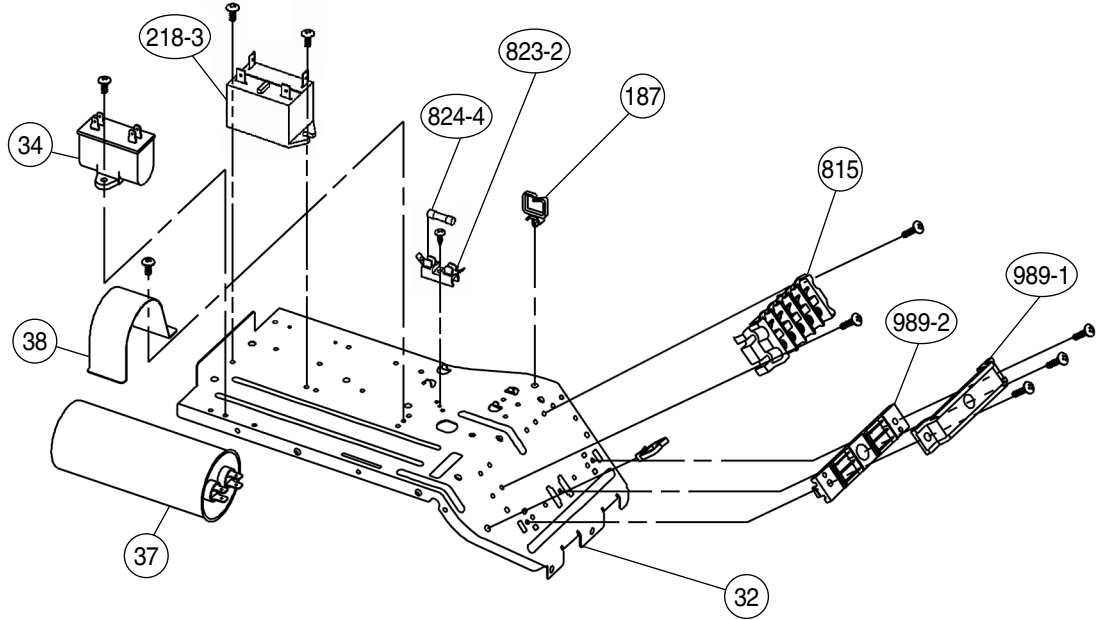


Models : AOY18FNAK
AOY18FNBK
AOY18FNBN
AOY18UNBKL
AOY18UNBNL
AOY24FNBK
AOY24FNBN
AOY24UNBKL
AOY24UNBNL
AOY30FNBDL
AOY30UNBDL

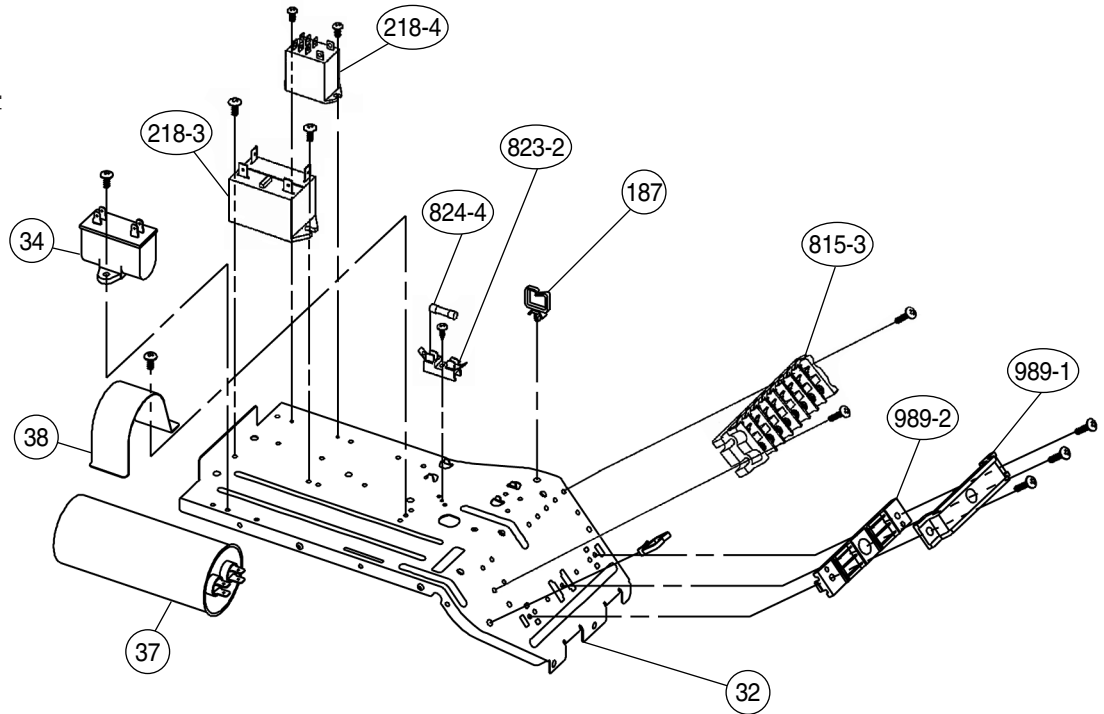
Model : AOY18UNAKL



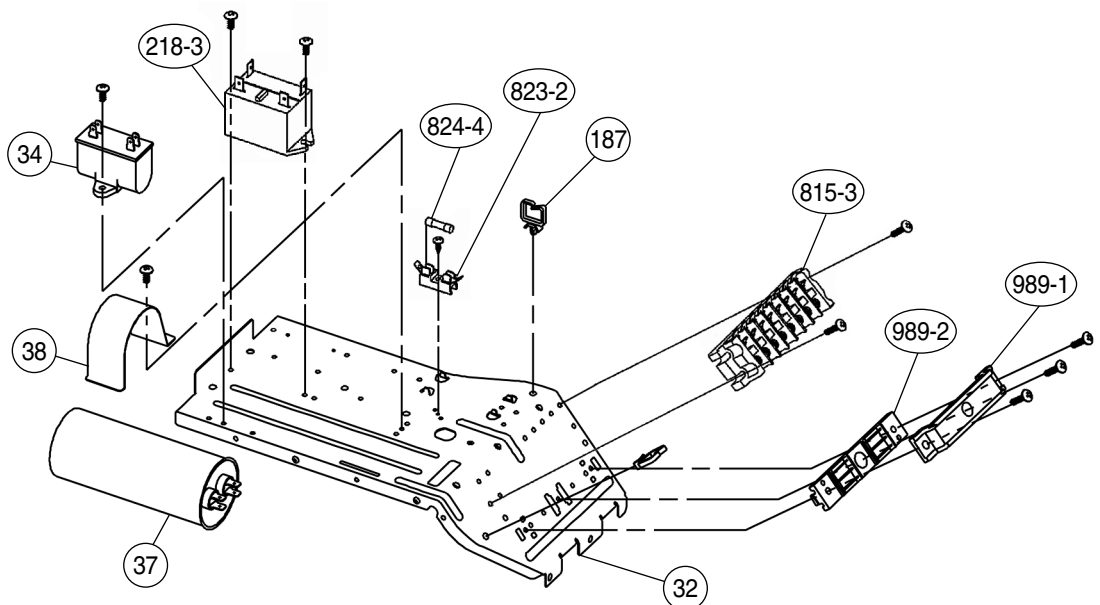
Models : AOY18FNAK
AOY18FNBK
AOY18FNBN
AOY24FNBK
AOY24FNBN



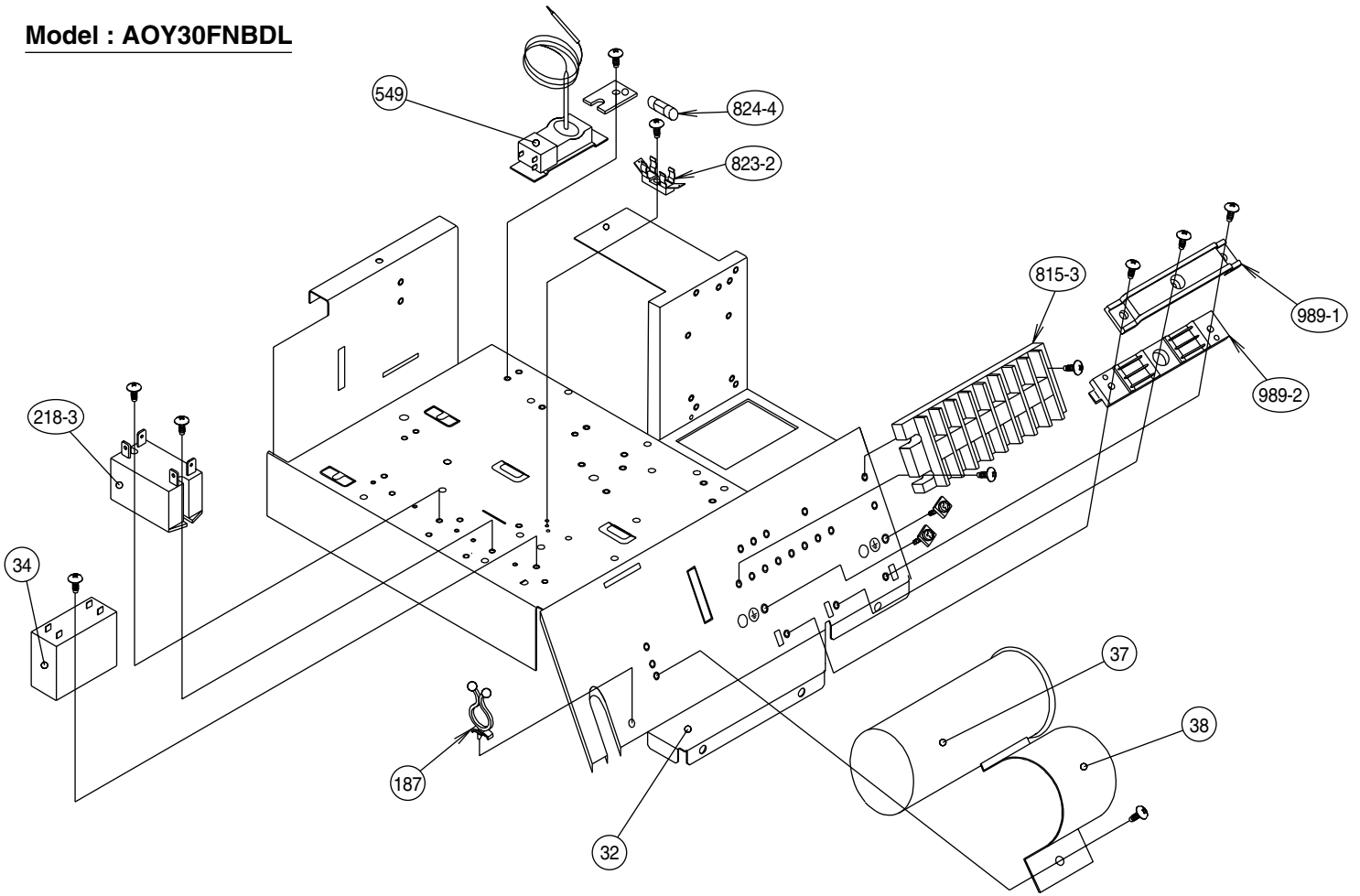
Model : AOY18UNAKL



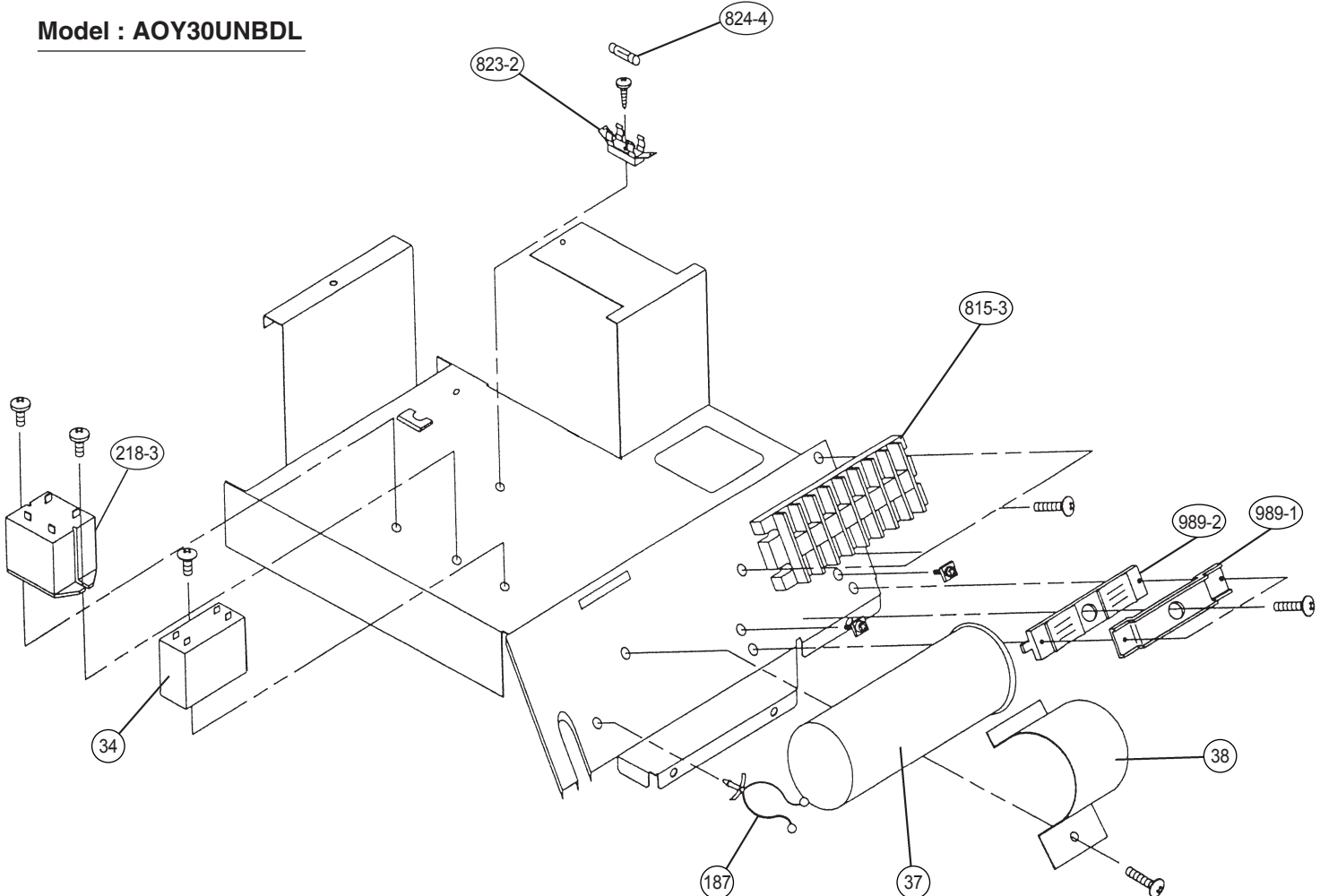
Model : AOY18UNBKL
AOY18UNBNL
AOY24UNBKL
AOY24UNBNL



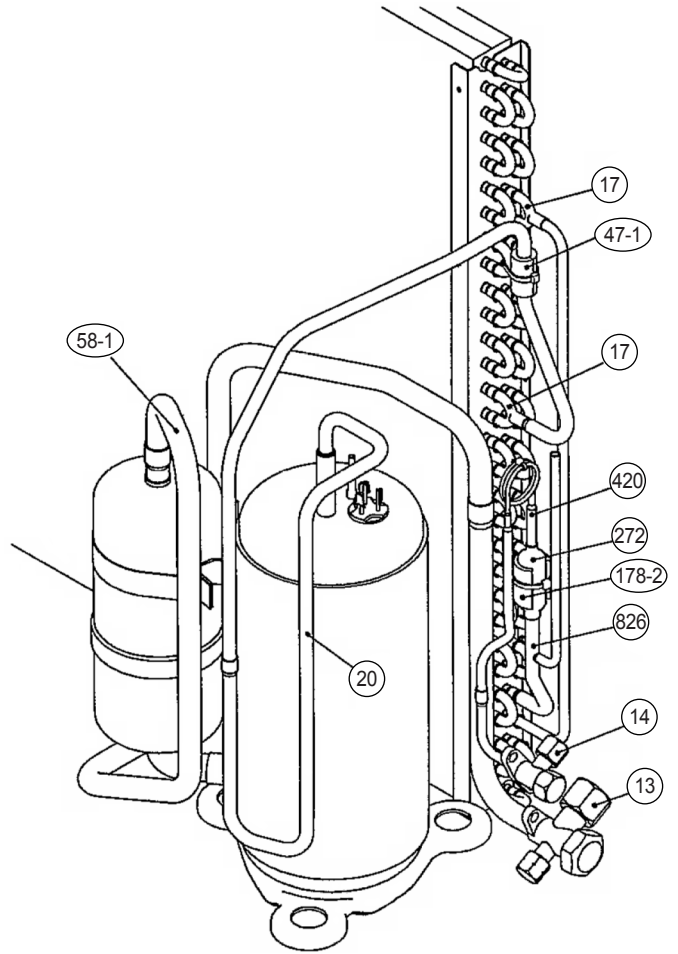
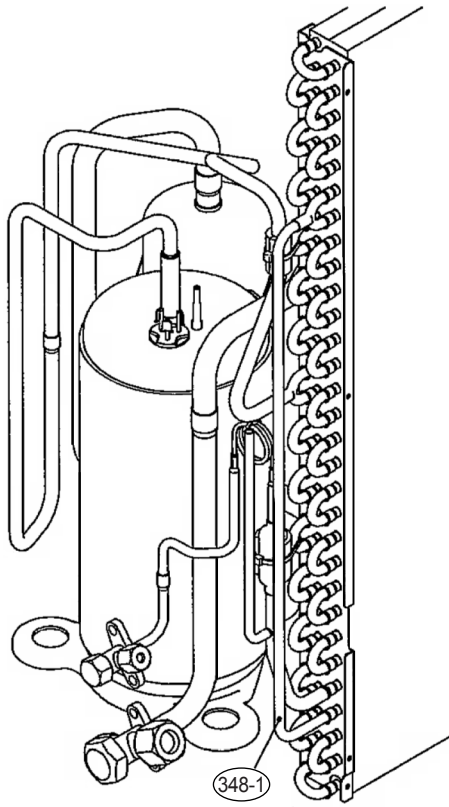
Model : AOY30FNBDL



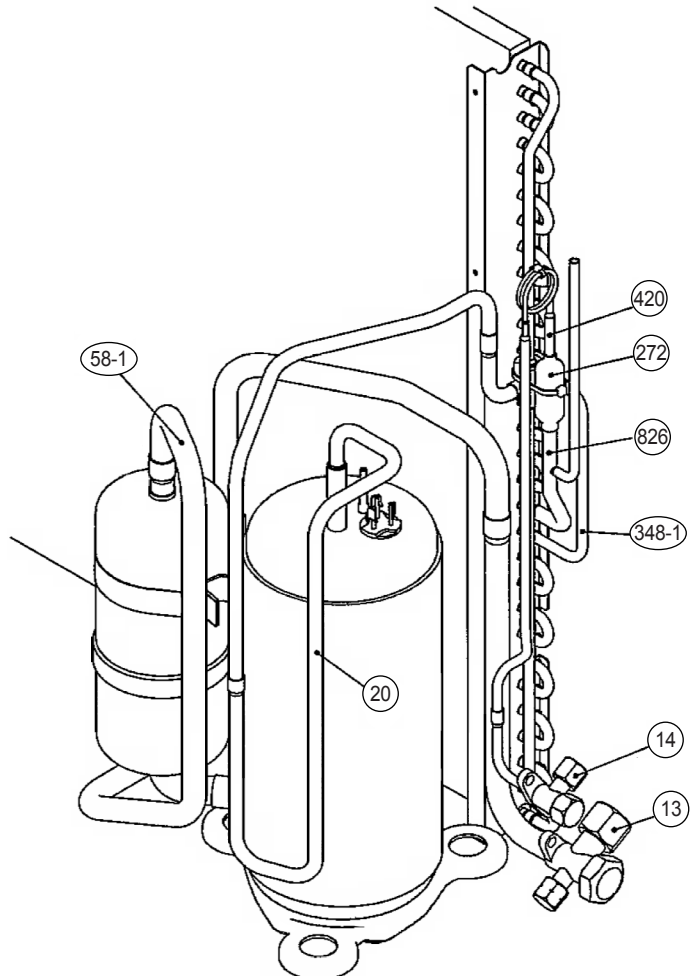
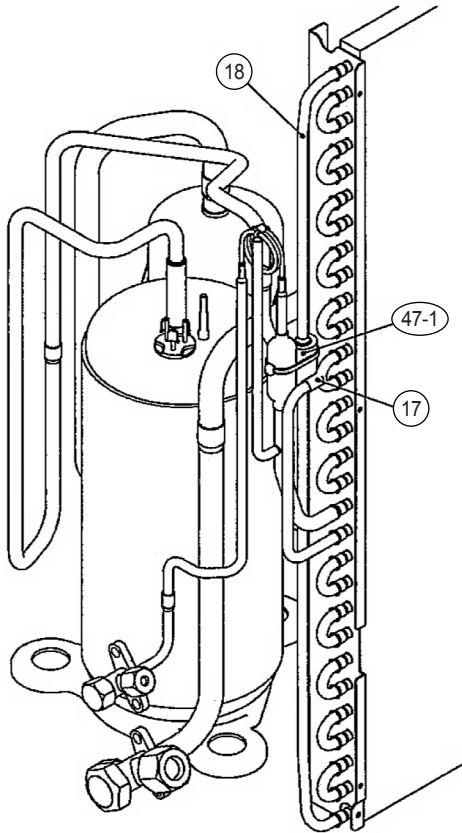
Model : AOY30UNBDL



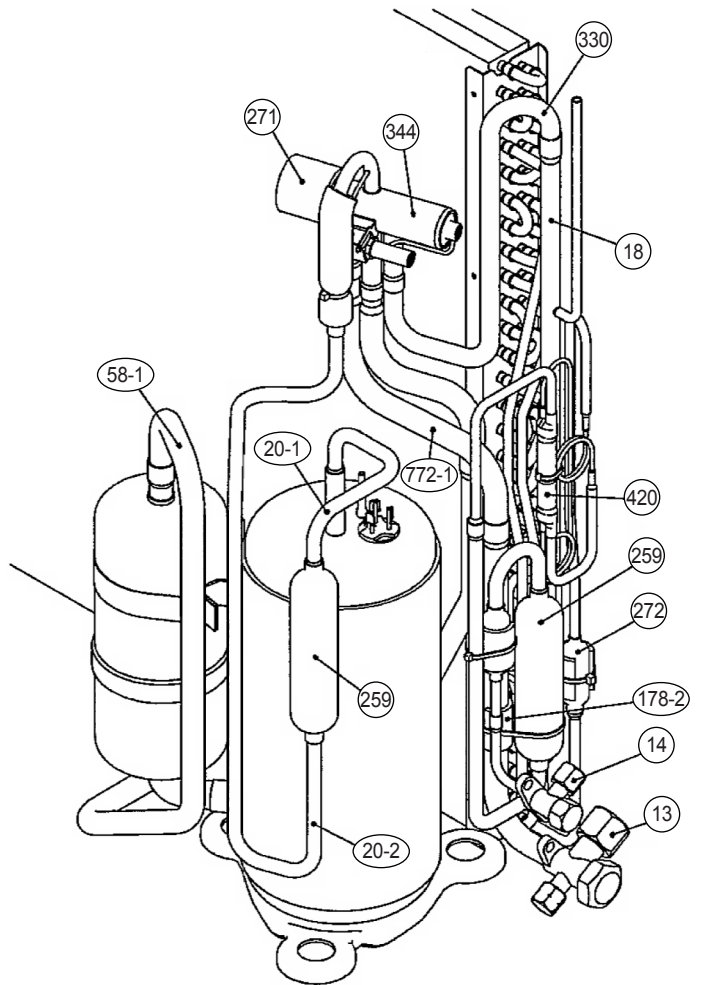
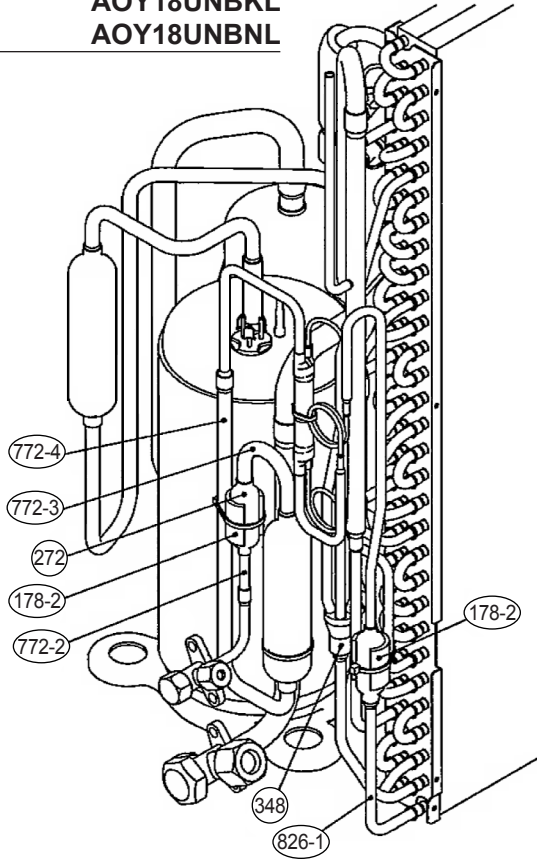
Model : AOY18FNAK



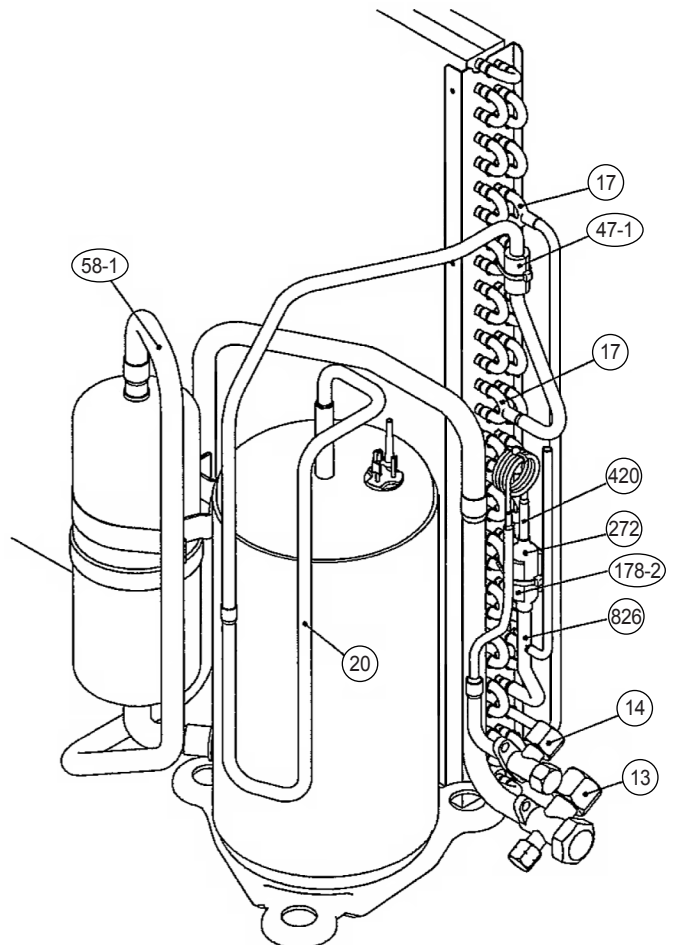
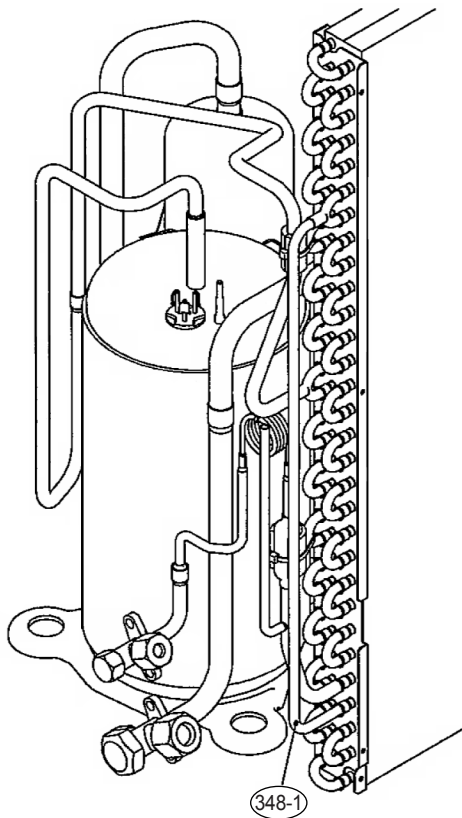
**Model : AOY18FNBK
AOY18FNBN**



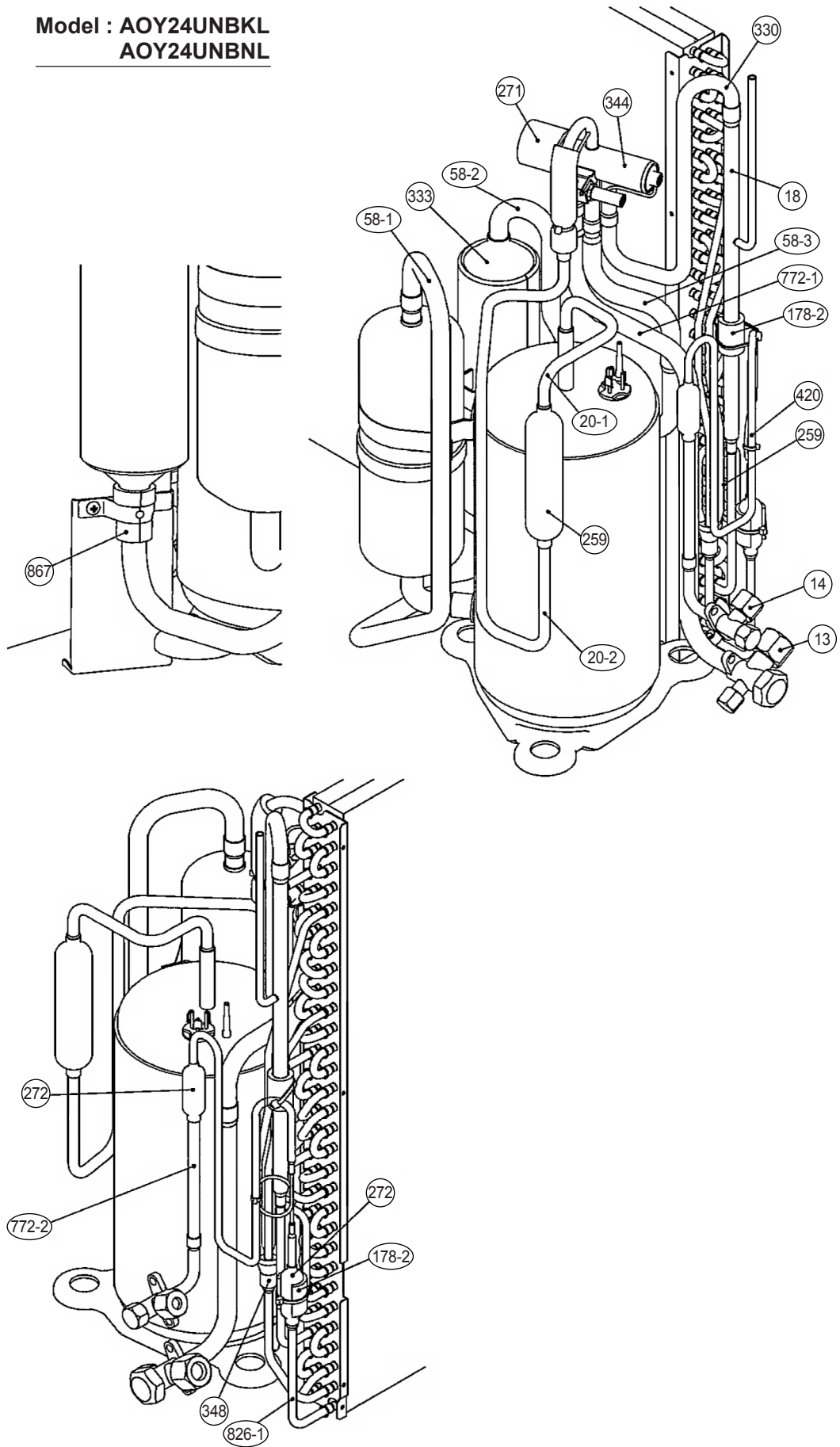
Models : AOY18UNAKL
 AOY18UNBKL
 AOY18UNBNL



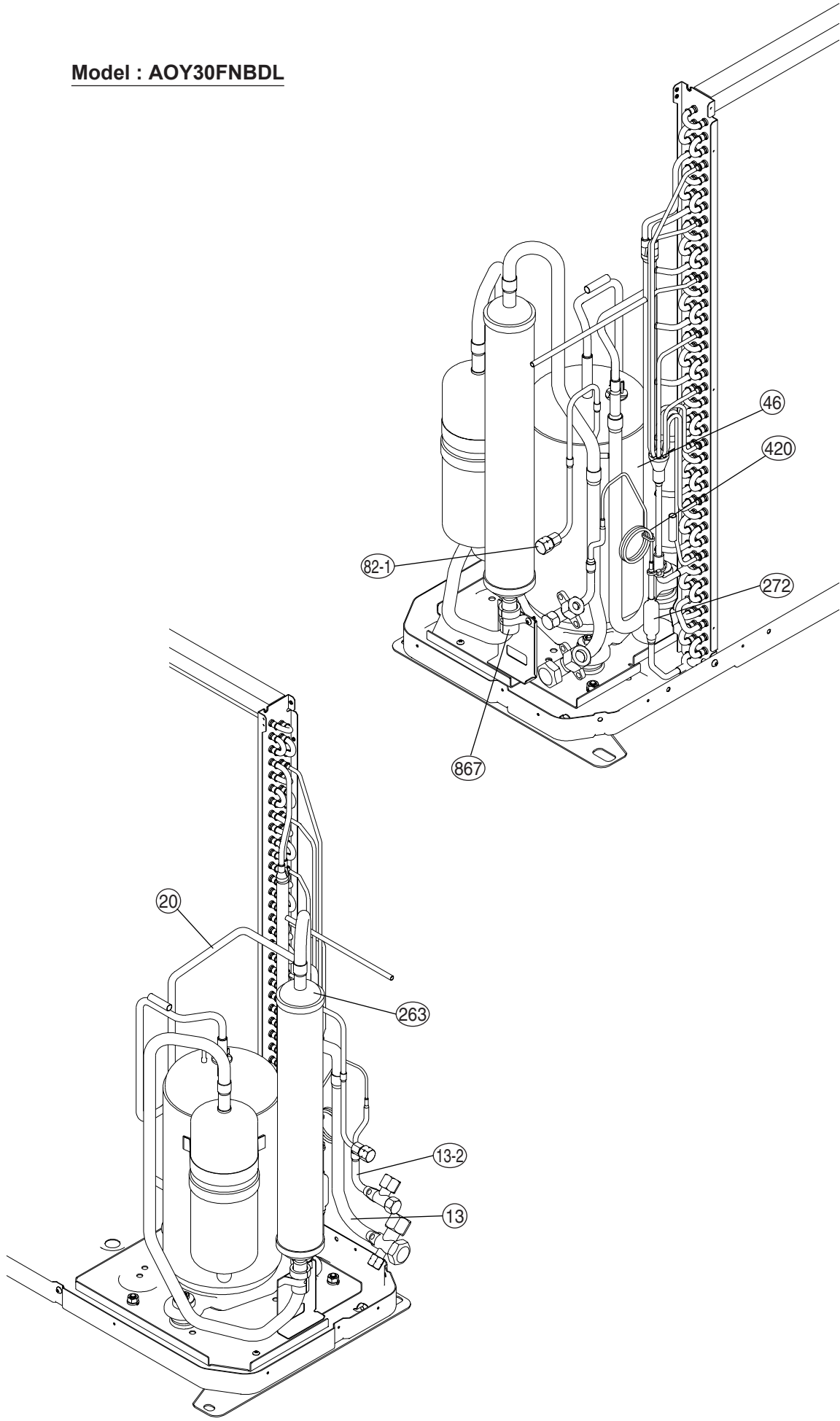
Model : AOY24FNBK
 AOY24FNBN



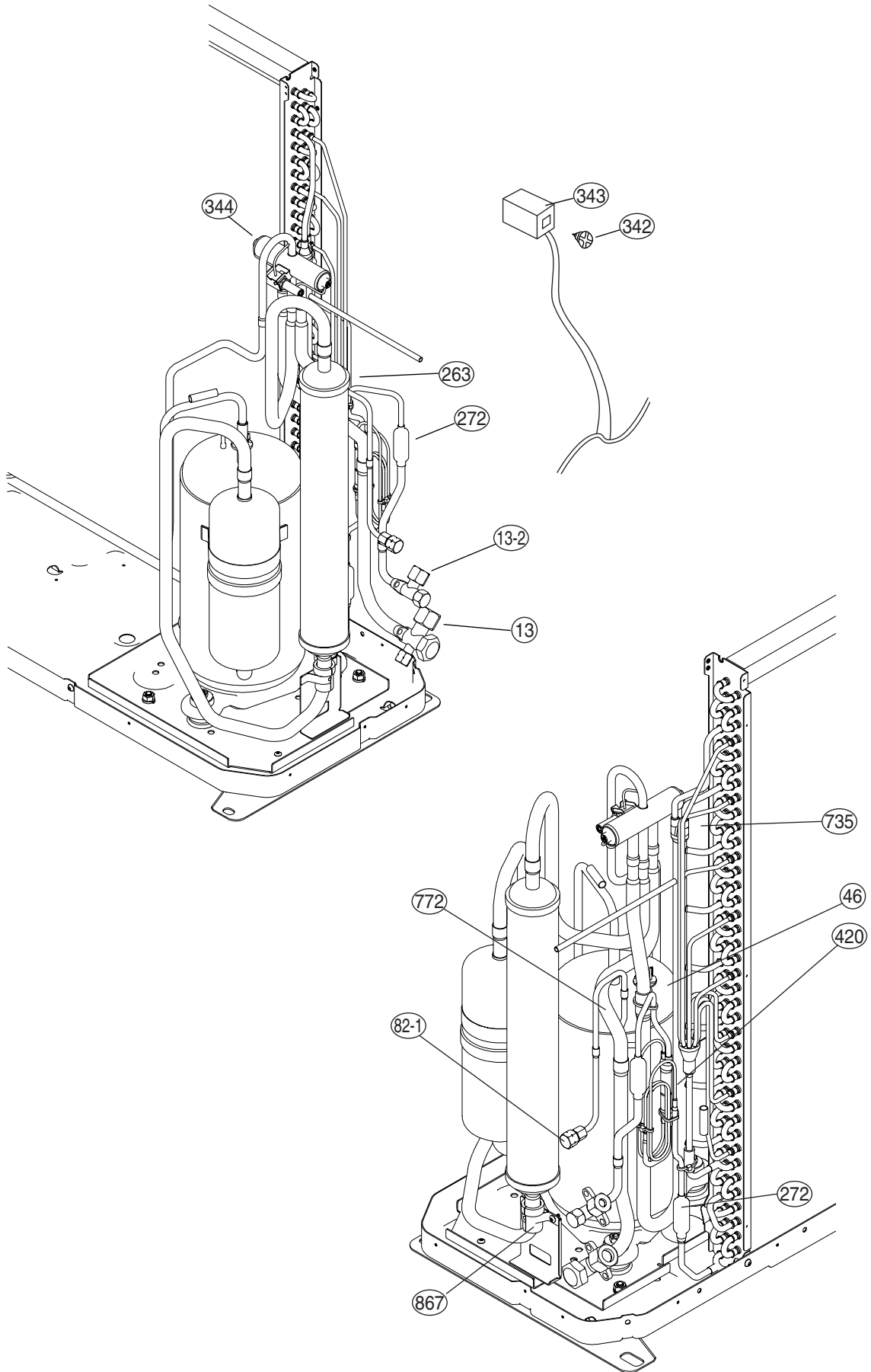
Model : AOY24UNBKL
AOY24UNBNL



Model : AOY30FNBDL



Model : AOY30UNBDL



PARTS LIST

INDOOR UNIT

Ref. No.	Description	Part No.		Ord. Q'ty	Ref. No.	Description	Part No.		Ord. Q'ty
		ASY18FBAJ ASY18FBBJ ASY18FBBN	ASY24FBBJ ASY24FBBN				ASY18FBAJ ASY18FBBJ ASY18FBBN	ASY24FBBJ ASY24FBBN	
34	Capacitor (Fan Motor)	9704305060	9704305060		473	Pipe Holder	9368565008	9368565008	
40	Water Seal Plate	9369684005	9369684005		473-1	Cord Holder	9368566005	9368566005	
45	Bracket (Eva.)	9369372001	9369372001		506	Louver Rod	9368561017	9368561017	
61	Decoration Plate-F Assy	9368757014	9368757014		514	Control Box	9368543006	9368543006	
63	Front Panel	9368540012	9368540012		522-1	Sector Gear	9368556006	9368556006	
69	Louver	9368560010	9368560010		522-2	Pinion Gear	9368557003	9368557003	
69-1	Louver Base-A	9368558017	9368558017		522-3	Flap Spring	9368612009	9368612009	
69-2	Louver Base-B	9368559014	9368559014		557	Diffuser Spring	9368587000	9368587000	
74	Air Filter	9368552008	9368552008		564	Bypass Pipe-A Assy	-----	9369551000	
92	Link Holder	9368563004	9368563004		564-2	Bypass Pipe-C Assy	9369479007	-----	
108	Base Assy	9369209017	9369209017		574-1	Evaporator Support-R	9368549008	9368549008	
122	Bearing Assy	9368574000	9368574000		574-2	Evaporator Support-L	9368548001	9368548001	
127	Drain Hose	9367695003	9367695003		588	Evaporator Holder	-----	9368775001	
146	Evaporator-A Assy	9370869002	-----		684	Motor Base	9368555009	9368555009	
146-1	Evaporator-A Assy	-----	9369366000		707	Display Cover	9368564001	9368564001	
146-2	Evaporator-B Assy	-----	9369373008		735	Distributor	9371178004	9371325019	
158	Joint Pipe Assy	9369242007	9369371004		743	Remote Control Unit Holder Case	9305642014	9305642014	
160	Front Drain Pan	9368546007	9368546007		759	Intake Grill-F Assy	9368541019	9368541019	
160-1	Rear Drain Pan	9368547004	9368547004		764	Drain Cap	9367677009	9367677009	
163-2	Thermistor Spring-A	313728262708	313728262708		815	Terminal	9306489106	9306489106	
164	Fan Motor Assy-IN	9601388012	9601388012		846	Relay G5NB-1A	9900007010	9900007010	
169	Cross Flow Fan Assy	9368586003	9368586003		855	Cover Display	9369264016	9369264016	
178-1	Rubber (Motor)	9368575007	9368575007		855-1	Cover Display-B	9369594014	9369594014	
199	Step Motor	9900020019	9900020019		855-2	Cover Display-C	9369683015	9369683015	
233	Power Transformer	9900069018	9900069018		938	Control Box Cover-R	9368570002	9368570002	
236	Controller PCB Assy	9703335068 9705831025 both is OK	9704804105 9705833029 both is OK		942	Control Box Cover	9368611002	9368611002	
240	Remote Control Unit	9371190020	9371190020		960	Diffuser	9369346019	9369346019	
321	Flap	9368544010	9368544010		963	Fan Guard	9368588007	9368588007	
329	Coupling Pipe Assy	9369241000	9369370007		963-1	Fan Guard Holder	9368554002	9368554002	
338	Motor Holder-A	9368550004	9368550004		998	Bypass Pipe-A	9369238000	-----	
338-1	Motor Holder-B	9368551001	9368551001		999	Bypass Pipe-B	9369239007	9369368004	
338-2	Motor Holder-C	9368769000	9368769000		---	Room Thermistor	9703299179	9703299179	
385	Indicator PCB Assy	9702307011	9702307011		---	Pipe Thermistor	9703297076	9703297076	
401	Wall Hook Bracket	9368579005	9368579005						
408	Louver Link	9368562007	9368562007						
425	Earth Plate	9368580001	9368580001						
428	Screw Cover	9368576011	9368576011						
435	Louver Spring	9368613006	9368613006						

INDOOR UNIT

Ref. No.	Description	Part No.		Ord. Q'ty	Ref. No.	Description	Part No.		Ord. Q'ty
		ASY18UBAJ ASY18UBBJ ASY18UBBN	ASY24UBBJ ASY24UBBN				ASY18UBAJ ASY18UBBJ ASY18UBBN	ASY24UBBJ ASY24UBBN	
34	Capacitor (Fan Motor)	9704305060	9704305060		385	Indicator PCB Assy	9702307011	9702307011	
40	Water Seal Plate	9369684005	9369684005		401	Wall Hook Bracket	9368579005	9368579005	
45	Bracket (Evaporator)	9369372001	9369372001		408	Louver Link	9368562007	9368562007	
61	Decoration Plate-F	9368757014	9368757014		425	Earth Plate	9368580001	9368580001	
63	Front Panel	9368540012	9368540012		428	Screw Cover	9368576011	9368576011	
69	Louver	9368560010	9368560010		435	Louver Spring	9368613006	9368613006	
69-1	Louver Base-A	9368558017	9368558017		473	Pipe Holder	9368565008	9368565008	
69-2	Louver Base-B	9368559014	9368559014		473-1	Cord Holder	9368566005	9368566005	
74	Air Filter	9368552008	9368552008		506	Louver Rod	9368561017	9368561017	
92	Link Holder	9368563004	9368563004		514	Control Box	9368543006	9368543006	
108	Base Assy	9369209017	9369209017		522-1	Sector Gear	9368556006	9368556006	
122	Bearing Assy	9368574000	9368574000		522-2	Pinion Gear	9368557003	9368557003	
127	Drain Hose	9367695003	9367695003		522-3	Flap Spring	9368612009	9368612009	
146	Evaporator Assy	9370869002	9370869002		557	Diffuser Spring	9368587000	9368587000	
158	Joint Pipe Assy	9372590027	9369242007		564-2	Bypass Pipe-C Assy	9369479007	9369479007	
160	Front Drain Pan	9368546007	9368546007		574-1	Evaporator Support-R	9368549008	9368549008	
160-1	Rear Drain Pan	9368547004	9368547004		574-2	Evaporator Support-L	9368548001	9368548001	
163-2	Thermistor Spring-A	313728262708	313728262708		684	Motor Base	9368555009	9368555009	
164	Fan Motor Assy-IN	9601388012	9601388012		707	Display Cover	9368564001	9368564001	
169	Cross Flow Fan Assy	9368586003	9368586003		735	Distributor Assy	9371178004	9371178004	
178-1	Rubber (Motor)	9368575007	9368575007		743	Remote Control Unit Holder Case	9305642014	9305642014	
199	Step Motor	9900020019	9900020019		759	Intake Grill-F	9368541019	9368541019	
233	Power Transformer	9900069018	9900069018		764	Drain Cap	9367677009	9367677009	
236	Controller PCB Assy	9703335228 9705831018 both is OK	9704804082 9705833012 both is OK		815	Terminal	9900016029	9900016029	
240	Remote Control Unit	9374322015	9374322015		855	Cover Display	9369264016	9369264016	
321	Flap	9368544010	9368544010		855-1	Cover Display-B	9369594014	9369594014	
329	Coupling Pipe Assy	9369241000	9369241000		855-2	Cover Display-C	9369683015	9369683015	
338	Motor Holder-A	9368550004	9368550004		938	Control Box Cover-R	9368570002	9368570002	
338-1	Motor Holder-B	9368551001	9368551001		942	Control Box Cover	9368611002	9368611002	
338-2	Motor Holder-C	9368769000	9368769000		960	Diffuser Assy	9369346019	9369346019	
					963	Fan Guard	9368588007	9368588007	
					963-1	Fan Guard Holder	9368554002	9368554002	
					---	Room Thermistor	9703299179	9703299179	
					---	Pipe Thermistor	9703297076	9703297076	

INDOOR UNIT

When you order parts, please make a photocopy of this page and fill the number of the parts in the "Order" column.

Ref. No.	Description	Part No.	Ord. Q'ty	Ref. No.	Description	Part No.	Ord. Q'ty
		ASY30FBBJ				ASY30FBBJ	
34	Capacitor (Fan Motor)	9704305060		338-1	Motor Holder-B	9368551001	
40	Water Seal Plate	9369684005		338-2	Motor Holder-C	9368769000	
45	Bracket (Eva.)	9369372001		385	Indicator PCB Assy	9702307011	
61	Decoration Plate-F Assy	9368757014		401	Wall Hook Bracket	9368579005	
63	Front Panel	9368540012		408	Louver Link	9368562007	
69	Louver	9368560010		425	Earth Plate	9368580001	
69-1	Louver Base-A	9368558017		428	Screw Cover	9368576011	
69-2	Louver Base-B	9368559014		435	Louver Spring	9368613006	
74	Air Filter	9368552008		473	Pipe Holder	9368565008	
92	Link Holder	9368563004		473-1	Cord Holder	9368566005	
108	Base Assy	9369209017		506	Louver Rod	9368561017	
122	Bearing Assy	9368574000		514	Control Box	9368543006	
127	Drain Hose	9367695003		522-1	Sector Gear	9368556006	
146-1	Evaporator-A Assy	9369366000		522-2	Pinion Gear	9368557003	
146-2	Evaporator-B Assy	9369373008		522-3	Flap Spring	9368612009	
158	Joint Pipe Assy	9369371004		557	Diffuser Spring	9368587000	
160	Front Drain Pan	9368546007		564	Bypass Pipe-A Assy	9369551000	
160-1	Rear Drain Pan	9368547004		574-1	Evaporator Support-R	9368549008	
163-2	Thermistor Spring-A	313728262708		574-2	Evaporator Support-L	9368548001	
164	Fan Motor Assy-IN	9601388012		588	Evaporator Holder	9368775001	
169	Cross Flow Fan Assy	9368586003		684	Motor Base	9368555009	
178-1	Rubber (Motor)	9368575007		707	Display Cover	9368564001	
199	Step Motor	9900020019		735	Distributor	9371325019	
220	Water Plate	9368569006		743	Remote Control Unit Holder Case	9305642014	
233	Power Transformer	9900069018		759	Intake Grill-F Assy	9368541019	
236	Controller PCB Assy	9703335105		764	Drain Cap	9367677009	
240	Remote Control Unit	9371190020		815	Terminal	9306489106	
321	Flap	9368544010		855	Cover Display	9369264016	
329	Coupling Pipe Assy	9369370007		855-1	Cover Display-B	9369594014	
338	Motor Holder-A	9368550004		855-2	Cover Display-C	9369683015	
				938	Control Box Cover-R	9368570002	
				942	Control Box Cover	9368611002	
				960	Diffuser	9369346019	
				963	Fan Guard	9368588007	
				963-1	Fan Guard Holder	9368554002	
				999	Bypass Pipe-B	9369368004	
				---	Room Thermistor	9703299179	
				---	Pipe Thermistor	9703297076	

INDOOR UNIT

When you order parts, please make a photocopy of this page and fill the number of the parts in the "Order" column.

Ref. No.	Description	Part No.	Ord. Q'ty	Ref. No.	Description	Part No.	Ord. Q'ty
		ASY30UBBJ				ASY30UBBJ	
34	Capacitor (Fan Motor)	9704305060		338-1	Motor Holder-B	9368551001	
40	Water Seal Plate	9369684005		338-2	Motor Holder-C	9368769000	
45	Bracket (Evaporator)	9369372001		385	Indicator PCB Assy	9702307011	
61	Decoration Plate-F	9368757014		401	Wall Hook Bracket	9368579005	
61	Decoration Plate-G	9368756017		408	Louver Link	9368562007	
63	Front Panel (ASY)	9368540012		425	Earth Plate	9368580001	
69	Louver	9368560010		428	Screw Cover	9368576011	
69-1	Louver Base-A	9368558017		435	Louver Spring	9368613006	
69-2	Louver Base-B	9368559014		473	Pipe Holder	9368565008	
74	Air Filter	9368552008		473-1	Cord Holder	9368566005	
92	Link Holder	9368563004		506	Louver Rod	9368561017	
108	Base Assy	9369209017		514	Control Box	9368543006	
122	Bearing Assy	9368574000		522-1	Sector Gear	9368556006	
127	Drain Hose	9367695003		522-2	Pinion Gear	9368557003	
146-1	Evaporator-A Assy	9371347011		522-3	Flap Spring	9368612009	
146-2	Evaporator-B Assy	9371348018		557	Diffuser Spring	9368587000	
158	Joint Pipe Assy	9371341019		564	Bypass Pipe-A Assy	9369551000	
160	Front Drain Pan	9368546007		574-1	Evaporator Support-R	9368549008	
160-1	Rear Drain Pan	9368547004		574-2	Evaporator Support-L	9368548001	
163-2	Thermistor Spring-A	313728262708		588	Evaporator Holder	9368775001	
164	Fan Motor Assy-IN	9601388012		684	Motor Base	9368555009	
169	Cross Flow Fan Assy	9368586003		707	Display Cover	9368564001	
178-1	Rubber (Motor)	9368575007		735	Distributor	9371325019	
199	Step Motor	9900020019		743	Remote Control Unit Holder Case	9305642014	
233	Power Transformer	9900069018		759	Intake Grill-F	9368541019	
236	Controller PCB Assy	9703335099		764	Drain Cap	9367677009	
240	Remote Control Unit	9374322015		815	Terminal	9900016029	
321	Flap	9368544010		855	Cover Display	9369264016	
329	Coupling Pipe Assy	9371333014		855-1	Cover Display-B	9369594014	
338	Motor Holder-A	9368550004		855-2	Cover Display-C	9369683015	
				938	Control Box Cover-R	9368570002	
				942	Control Box Cover	9368611002	
				960	Diffuser Assy	9369346019	
				963	Fan Guard	9368588007	
				963-1	Fan Guard Holder	9368554002	
				---	Room Thermistor	9703299179	
				---	Pipe Thermistor	9703297076	

OUTDOOR UNIT

Ref. No.	Description	Part No.			Ord. Q'ty
		AOY18FNAK	AOY18FNBK AOY18FNBN	AOY24FNBK AOY24FNBN	
2	Fan Guard	9371187013	9371187013	9371187013	
4	Emblem-Rear	9351355005	9351355005	9351355005	
5	Front Panel Ptd	9371924014	9371924014	9371924014	
7	Connector Cover (Cabinet)	9366398004	9366398004	9366398004	
8	Wire Assy (Comp)	9372334010	9372334010	9372334010	
9	Side Panel R Ptd	9371927015	9371927015	9371927015	
12	Base Assy, Ptd	9371920054	9371920054	9371920016	
13-1	3-Way Valve Assy	9372205013	9372205013	9372205013	
13-2	2-Way Valve Assy	9372204016	9372204016	9372204023	
16	Condenser Assy	9372181027	9372181041	9372181027	
26	Compressor Cover	9372327012	9372327012	9372327012	
29	Separate Wall	9371933016	9371933016	9371933016	
32	Control Box	9371935010	9371935010	9371935010	
34	Capacitor, Plastic	9900130022	9900130022	9900130022	
37	Running Capacitor	9703107122	9703107122	9703107023	
38	Capacitor Clamp Metal	9351770013	9351770013	313791061807	
39	Propeller Fan Assy	9366378013	9366378013	9366378013	
41	Motor Induct	9601671022	9601671022	9601671022	
45-1	Motor Bracket	9371929019	9371929019	9371929019	
45-2	Motor Bracket-Top	9371931012	9371931012	9371931012	
45-3	Motor Bracket Center	9371930015	9371930015	9371930015	
45-4	Motor Bracket Bottom	9371932019	9371932019	9371932019	
46	Compressor Assy	9372333013	9372558027	9372558010	
47-1	Rubber (Discharge Pipe)	313194159807	313194159807	313194159807	
51	Special Nut M5	9300301015	9300301015	9300301015	
55	Special Nut M8	9355091008	9355091008	9355091008	
64	Side Panel L Ptd	9371926018	9371926018	9371926018	
69-3	Bolt, Hex. Socket	301210060360	301210060360	301210060360	
85	Valve Plate Ptd	9371928012	9371928012	9371928012	
107	Rubber Seat-A	9351049010	9351049010	9351049010	
109	Termminal Cover (Comp)	9371511016	9371511016	9371511016	
187	Clip (Cable)	9352715006	9352715006	9352715006	
218-3	Relay	9900074012	9900074012	9900074012	
272	Strainer	9369287008	9369287008	9369287008	
412	Cover Gasket (Comp.)	9371512013	9371512013	9371512013	
527	Protectiive Net	9371934013	9371934013	9371934013	
734	Top Plate	9371925011	9371925011	9371925011	
735-3	Capillary Assy	9372197035	9372197066	9372197059	
754	Terminal Gask. Washer	9351053017	9351053017	9351053017	
815	Terminal-5P	9356497021	9356497021	9356497021	
823-3	Fuse Holder	0500063024	0500063024	0500063024	
824-4	Fuse	0600222529	0600222529	0600222529	
982-1	Cord Clamp-A	9359822011	9359822011	9359822011	
982-2	Cord Clamp-B	9359823018	9359823018	9359823018	

OUTDOOR UNIT

Ref. No.	Description	Part No.			Ord. Q'ty
		AOY18UNAKL	AOY18UNBKL AOY18UNBNL	AOY24UNBKL AOY24UNBNL	
2	Fan Guard	9371187013	9371187013	9371187013	
4	Emblem-Rear	9351355005	9351355005	9351355005	
5	Front Panel Ptd	9371924014	9371924014	9371924014	
7	Connector Cover (Cabinet)	9366398004	9366398004	9366398004	
8	Wire Assy (Comp)	9372334010	9372334010	9372334010	
9	Side Panel R Ptd	9371927015	9371927015	9371927015	
12	Base Assy, Ptd	9371920054	9371920054	9371920016	
13-1	3-Way Valve Assy	9372205013	9372205013	9372205013	
13-2	2-Way Valve Assy	9372204016	9372204016	9372204023	
16	Condenser Assy	9372181010	9372181034	9372181010	
26	Compressor Cover A	9372327012	9372327012	9372327012	
29	Separate Wall	9371933016	9371933016	9371933016	
32	Control Box	9371935010	9371935010	9371935010	
34	Capacitor, Plastic	9900130022	9900130022	9900130022	
37	Running Capacitor	9703107122	9703107122	9703107023	
38	Capacitor Clamp Metal	9351770013	9351770013	313791061807	
39	Propeller Fan Assy	9366378013	9366378013	9366378013	
41	Motor Induct	9601671015	9601671015	9601671015	
45-1	Motor Bracket	9371929019	9371929019	9371929019	
45-2	Motor Bracket-Top	9371931012	9371931012	9371931012	
45-3	Motor Bracket Ctr	9371930015	9371930015	9371930015	
45-4	Motor Bracket Bottom	9371932019	9371932019	9371932019	
46	Compressor Assy	9372333013	9372558027	9372558010	
51	Special Nut M5	9300301015	9300301015	9300301015	
55	Special Nut M8	9355091008	9355091008	9355091008	
64	Side Panel L Ptd	9371926018	9371926018	9371926018	
69-3	Bolt, Hex. Socket	301210060360	301210060360	301210060360	
85	Valve Plate Ptd	9371928012	9371928012	9371928012	
107	Rubber Seat-A	9351049010	9351049010	9351049010	
109	Teminal Cover (Comp)	9371511016	9371511016	9371511016	
187	Clip (Cable)	9352715006	9352715006	9352715006	
199	Br Sheet	9363708059	9363708059	----	
218-3	Relay	9900074012	9900074012	9900074012	
218-4	Power Relay	9900008017	----	----	
259	Muffler	9372369012	9372369012	----	
271	4-Way Valve Rubber	313728251908	313728251908	313728251908	
272	Strainer	9369287008	9369287008	9369287008	
333	Accumulator	----	----	9368391003	
343	Solenoid	9900165017	9900165017	9900165017	
344	4-Way Valve	9970036019	9970036019	9900163013	
361	Accum Support Assy	----	----	9372252017	
412	Cover Gasket (Comp.)	9371512013	9371512013	9371512013	
413	Heater (Crank Case)	9900132033	----	----	
527	Protectiive Net	9371934013	9371934013	9371934013	
734	Top Panel	9371925011	9371925011	9371925011	
735-3	Capillary Assy	9372197011	9372197042	9372197028	
754	Terminal Gask. Washer	9351053017	9351053017	9351053017	
815-3	Terminal-5P	9358660119	9358660119	9358660119	
823-2	Fuse Holder	0500063024	0500063024	0500063024	
824-4	Fuse	0600222529	0600222529	0600222529	
982-1	Cord Clamp-A	9359822011	9359822011	9359822011	
982-2	Cord Clamp-B	9359823018	9359823018	9359823018	

OUTDOOR UNIT

When you order parts, please make a photocopy of this page and fill the number of the parts in the "Order" column.

Ref. No.	Description	Part No.	Ord. Q'ty	Ref. No.	Description	Part No.	Ord. Q'ty
		AOY30FNBDL				AOY30FNBDL	
2	Fan Cover (Guard)	9371187013		117-3	Hex. Nut w/Sp. Washer	301721180114	
4	Emblem-Rear	9371388014		187	Clamp No.1219	313361271706	
5	Cabinet-A, Painted	9359797029		218-3	Power Relay	9900074012	
9	Cabinet-B, Painted	9359798026		263	Accumulator	9385005006	
12	Base Assy, Painted	9359813019		272	Strainer	9369287008	
13	3-Way Valve Assy (5/8)	9372205037		328	Comp. Plate Assy	9362273060	
13-2	2-Way Valve Assy (3/8)	9372204047		373	Grip	9352157004	
16	Condenser Assy	9372866016		407	Clamp (Cable) No.1259	313739340109	
20	Discharge Pipe	9369047008		412	Cover Gasket	9371512013	
26	Comp. Cover	9369093005		420	Capillary Assy	9371287119	
29	Separate Wall	9359804017		477	Bell-mouth	9359809012	
32	Control Box Metal	9359839019		527	Protection Net	9359844013	
34	Capacitor (Fan Motor)	9357965024		549	Thermostat-Outdoor	9352553004	
37	Running Capacitor	9703107092		734	Cabinet Top Plate Panel	9359799023	
38	Capacitor Clamp	9351770013		754	Gasket Washer	9351053017	
39	Propeller Fan	9359837015		815-3	Terminal-8P	9358660119	
41	Fan Motor Assy-Out (MFB-30NTAT)	9601754015		817	Bracket (Thermo)	9372643013	
45-1	Motor Bracket-A	9369627002		823-2	Fuse Holder	0500063024	
45-2	Motor Bracket-B	9369628009		824-4	Fuse	0600222529	
45-3	Motor Bracket-C	9369629006		867	Accumulator Holder Rubber	9354022010	
45-4	Motor Bracket-D	9369630002		983	Thermostat Cover	9358274002	
46	Compressor Assy	9372558034		989-1	Cord Clamp-A	9359822011	
51	M5 Nut Special	9300301015		989-2	Cord Clamp-B	9359823018	
55	Special Nut M8	9355091008					
64	Cabinet Left, Painted	9359840022					
82-1	Check Joint	9372802014					
84	Valve Cover	9359817017					
85	Valve Fixing Plate	9359806011					
107	Rubber Mount	9351049010					
109	Terminal Cover	9371511016					

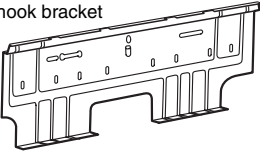
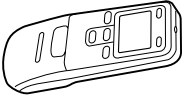

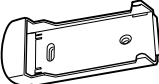


OUTDOOR UNIT

When you order parts, please make a photocopy of this page and fill the number of the parts in the "Order" column.

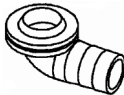

Ref. No.	Description	Part No.	Ord. Q'ty	Ref. No.	Description	Part No.	Ord. Q'ty
		AOY30UNBDL				AOY30UNBDL	
2	Fan Cover (Guard)	9371187013		117-3	Hex. Nut w/Sp. Washer	301721180114	
4	Emblem-Rear "FUJITSU"	9371388014		187	Clamp No. 1219	313361271706	
5	Cabinet-A, Painted	9359797029		218-3	Power Relay	9900074012	
9	Cabinet-B, Painted	9359798026		263	Accumulator	9385005006	
12	Base Assy, Painted	9359813019		272	Strainer	9369287008	
13	3-Way Valve (5/8)	9372205037		328	Comp Plate Assy	9362273060	
13-2	3-Way Valve (3/8)	9372204047		342	Screw (Solenoid Valve)	9970024016	
16	Condenser Assy	9369981005		343	Solenoid	9900196011	
26	Comp. Cover	9369093005		344	4-Way Valve	9900163013	
29	Separate Wall	9359804017		373	Grip	9352157004	
32	Control Box Metal	9359839019		407	Clamp (Cable) No. 1259	313739340109	
34	Capacitor (Fan Motor)	9357965024		412	Terminal Gasket	9371512013	
37	Running Capacitor	9703107092		420	Capillary Assy	9371287102	
38	Capacitor Clamp	9351770013		477	Bell-Mouth	9359809012	
39	Propeller Fan Assy	9359837015		527	Protection Net	9359844013	
41	Fan Motor Assy-Out (MFB-30NTAT)	9601754015		734	Cabinet Top Panel	9359799023	
45-3	Motor Bracket-A	9369627002		735	Distributor Assy	9369076008	
45-4	Motor Bracket-B	9369628009		754	Gasket Washer	9351053017	
45-5	Motor Bracket-C	9369629006		772	Joint Pipe (Valve)	9372876015	
45-6	Motor Bracket-D	9369630002		815-3	Terminal-8P	9358660119	
46	Compressor Assy	9372558034		823-2	Fuse Holder	0500063024	
51	M5 Nut special	9300301015		824-4	Fuse	0600222529	
55	Special Nut M8	9355091008		867	Accumulator Holder Rubber	9354022010	
64	Cabinet Left, Painted	9359840022		989-1	Cord Clamp-A	9359822011	
81	Strap	9362371001		989-2	Cord Clamp-B	9359823018	
82-1	Check Joint	9372802014					
84	Valve Cover	9359817017					
85	Valve Fixing Plate	9359806011					
107	Rubber Mount	9351049010					
109	Terminal Cover	9371511016					

STANDARD ACCESSORIES





INDOOR UNIT ACCESSORIES

Name and Shape	Part No.
Wall hook bracket 	9368579005
Remote control unit 	9371190013 (AR-JW1) (Heat & Cool model) (Reverse cycle)
	9371190020 (AR-JW2) (Cooling only model)
Battery (penlight) 	0600185534
Remote control unit holder 	9305642014
Tapping screw (big) (φ4 x 20) 	301141164200
Tapping screw (small) (φ3 x 12) 	301141533125

OUTDOOR UNIT ACCESSORIES (18,000 • 24,000BTU model)

Name and Shape	Part No.
Drain Assy 	9303029015 [Heat & Cool model (Reverse cycle)only]
Drain cap 	313166024302 [Heat & Cool model (Reverse cycle)only]

OUTDOOR UNIT ACCESSORIES (30,000 BTU model)

Name and Shape	Part No.
Cable clip 	313739340109
Tapping screw 	301463040100
Drain pipe 	9303029015 [Heat & Cool model (Reverse cycle)only]
Drain cap 	313166024302 [Heat & Cool model (Reverse cycle)only]

0311G2414