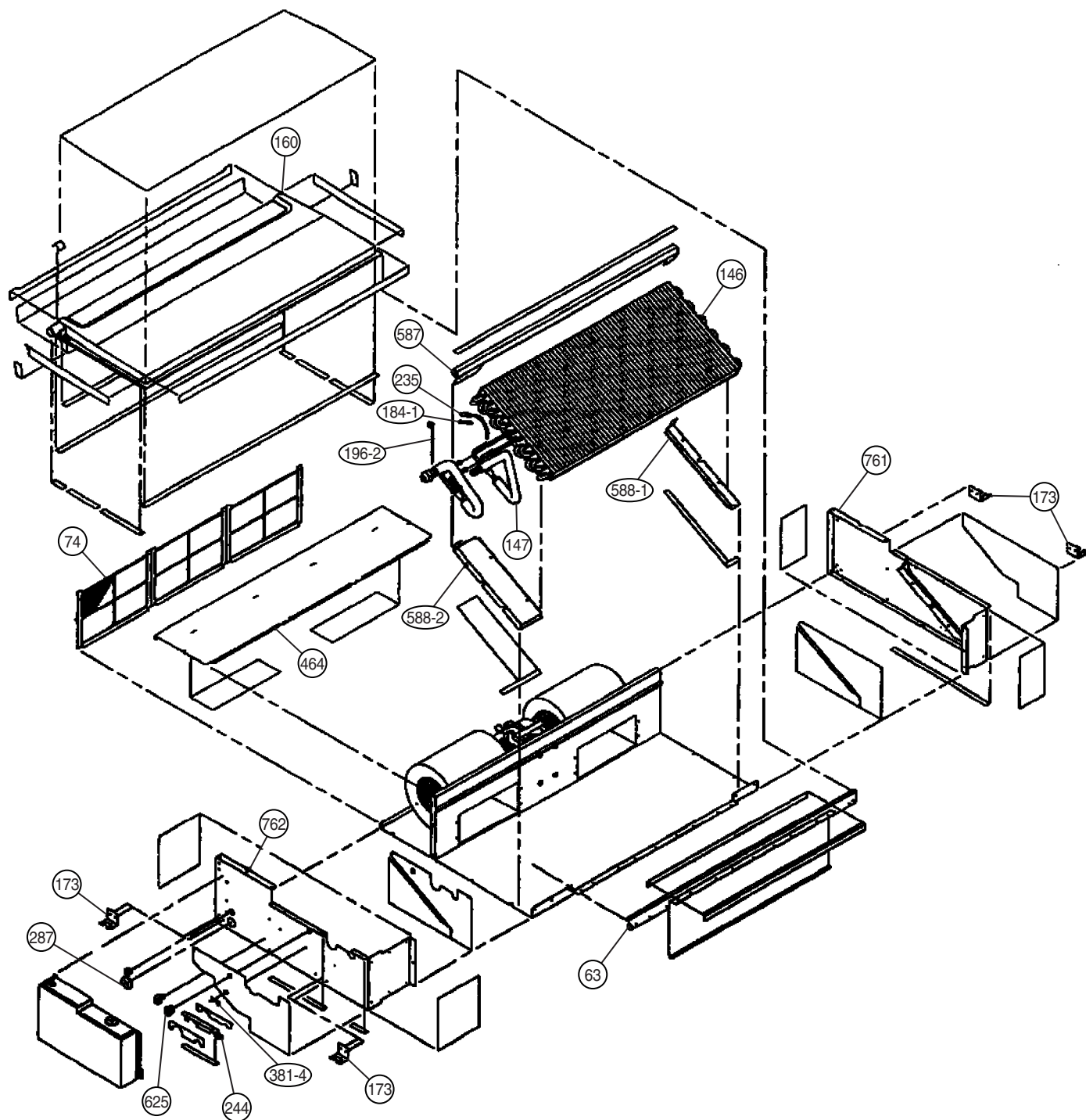
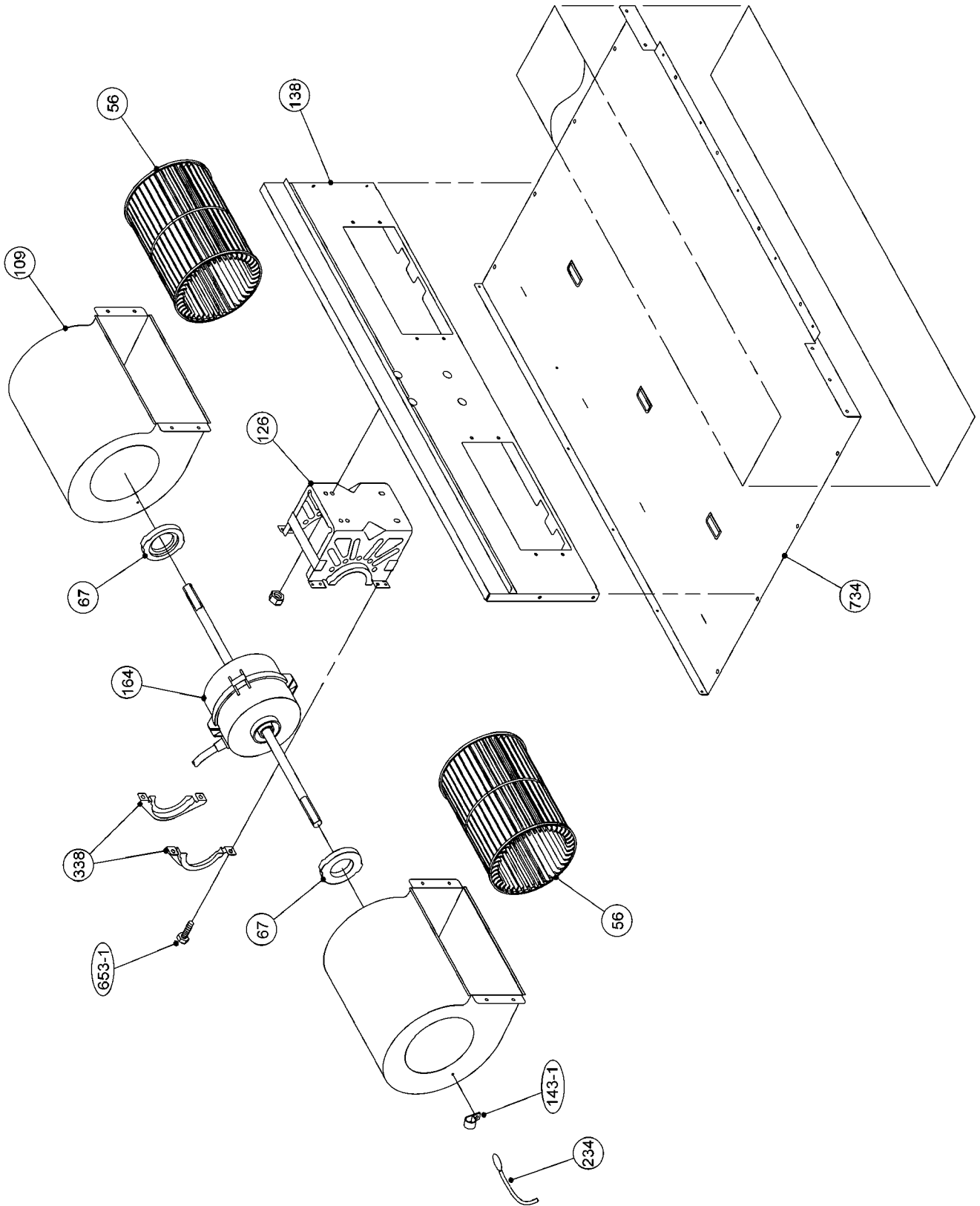


# DISASSEMBLY ILLUSTRATION

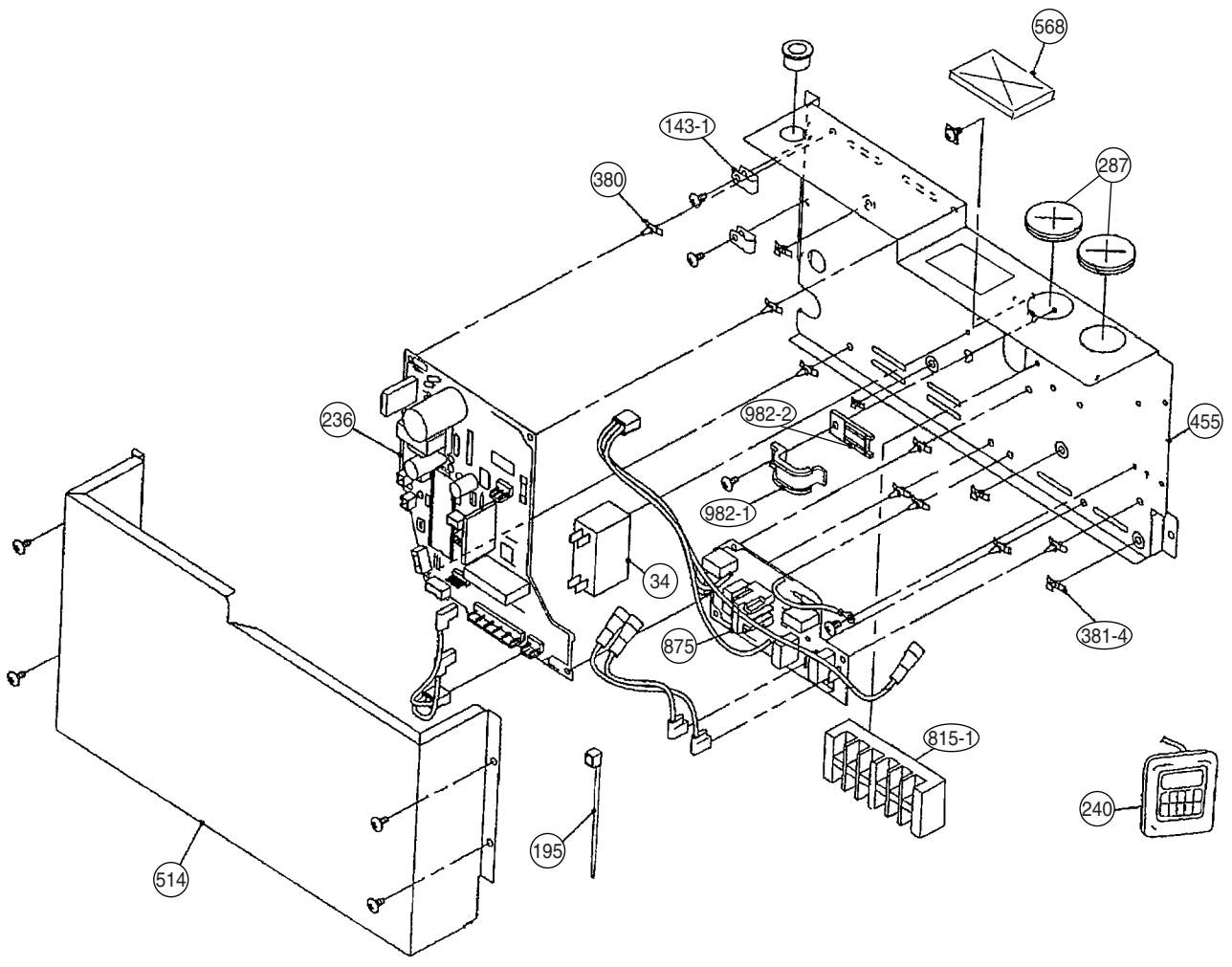
## INDOOR UNIT



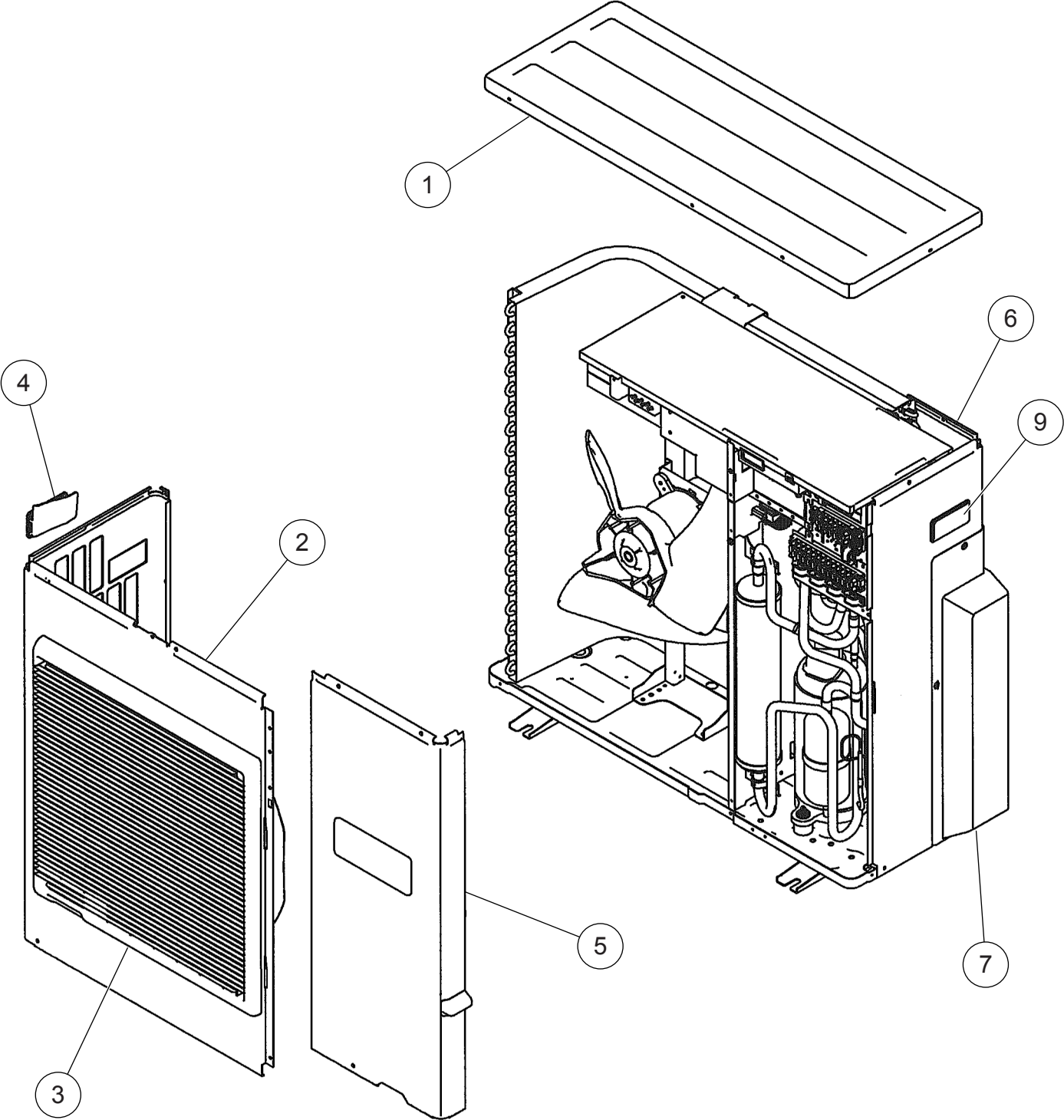
# INDOOR UNIT



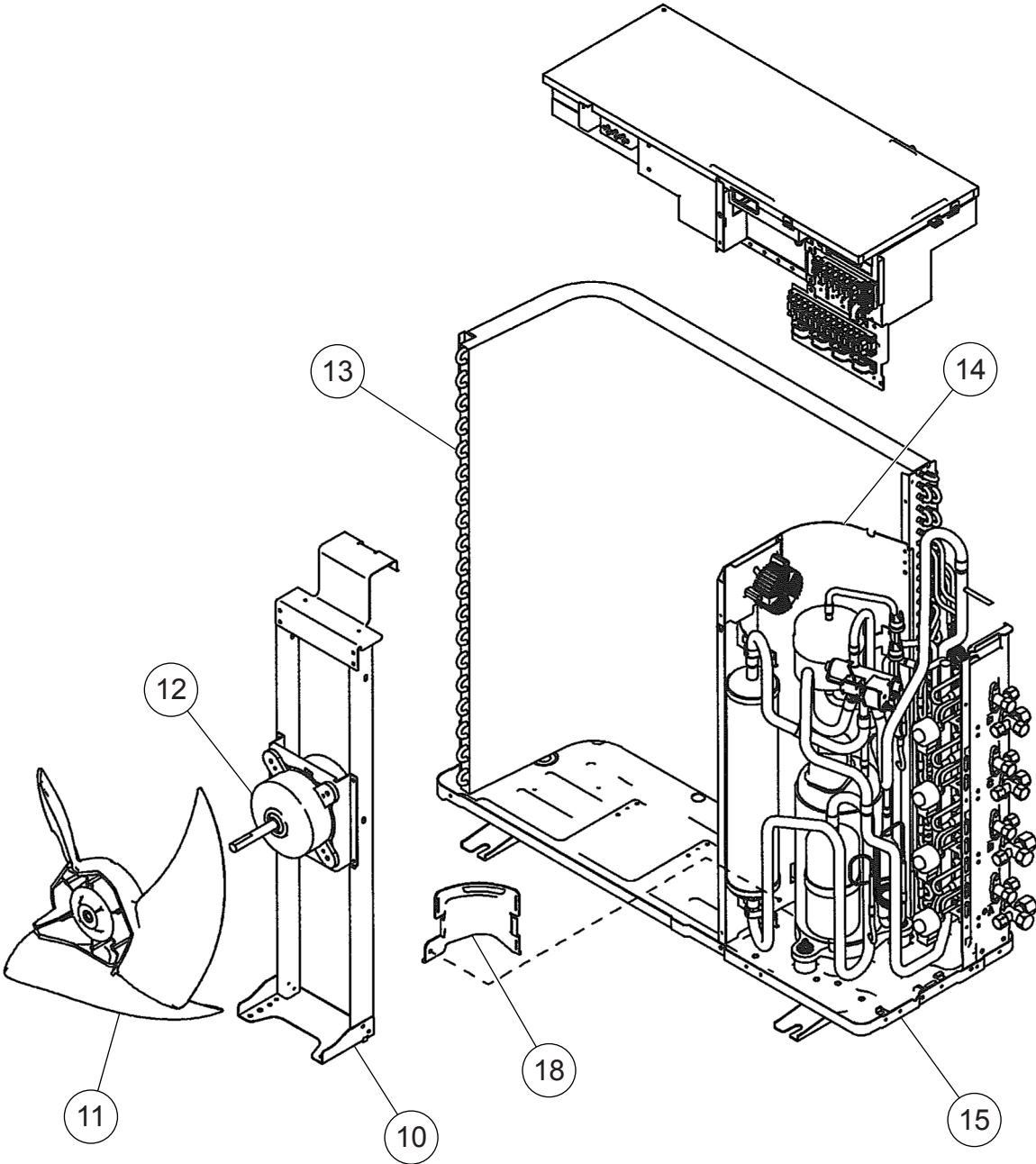
INDOOR UNIT



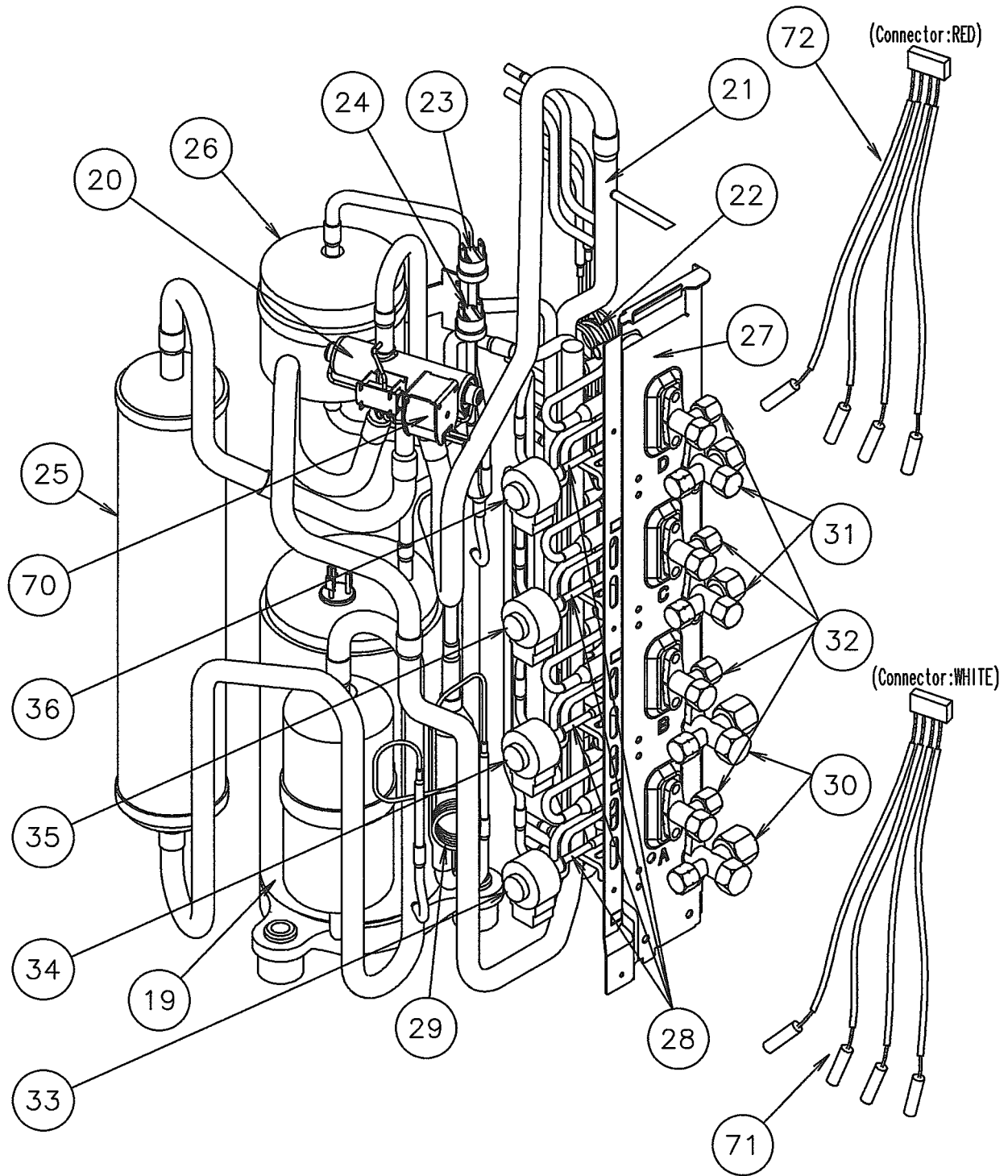
OUTDOOR UNIT



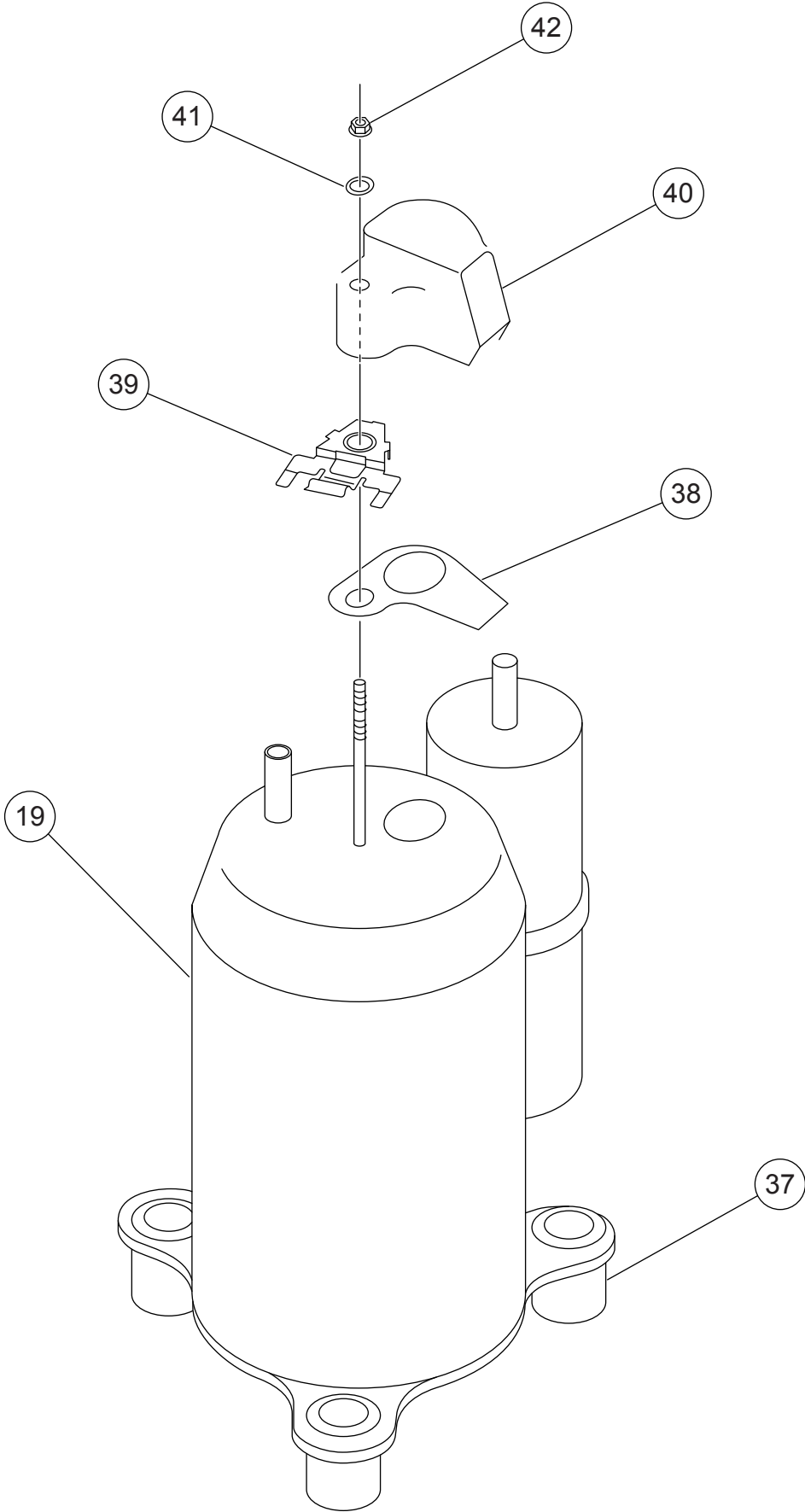
OUTDOOR UNIT



OUTDOOR UNIT



OUTDOOR UNIT  
Compressor



OUTDOOR UNIT  
Inverter assy

